

HUSSMANN®



microSC™

MNGSC-A

Self-Contained Open Island Merchandiser
with Environmentally-Friendly R-290 Refrigerant

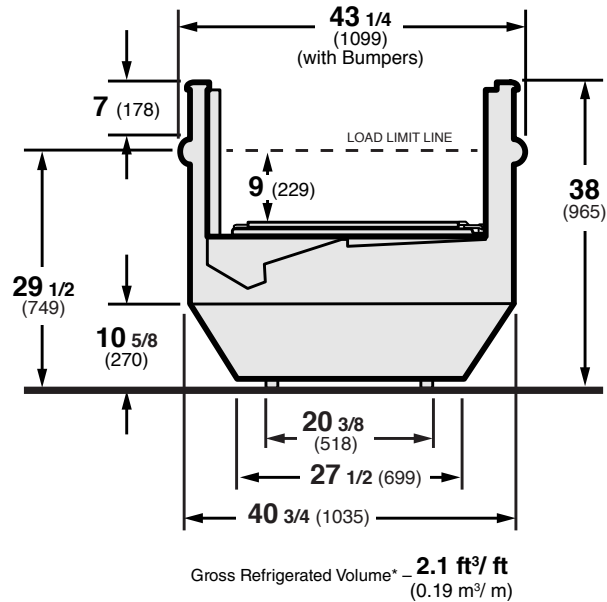
Ideal for Beverage, Deli, Produce,
and Meat Applications

www.hussmann.com

Husmann Self-Contained Open Island Merchandiser with Environmentally-Friendly R-290 Refrigerant

Benefits

- Environmentally-friendly R-290 hydrocarbon refrigerant that has zero ozone depletion (ODP) potential and 3 Global Warming Potential (GWP)
- Case maintains fresh meat temperature (below 41°F)
- Increased product visibility - 7" straight glass on all four sides
- Easy to service with slide out air-cooled condensing unit
- Low maintenance and installation costs
- No refrigerant connections



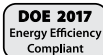
Standard Features

- NSF Type I certified
- Black exterior and interior color
- Adjustable bottom rack (2.5" increments)
- Condensate pan
- CFC-free insulation

Optional Features

- White interior and exterior color
- Metallic finishing for the rails
- High humidity condensate pan kit
- Adjustable leveling legs

Model	Exterior Dimensions			Interior Dimensions		Nom. HP	Refrig.	Electrical			NEMA Plug	Approx. Ship Wt. (lbs)
	L	D	H	L	H			Hz/Ph	Volts	Run Amps		
MNGSC-A	96"	43-1/4"	38"	96"	33-1/4"	1/4	R290	60/1	115	4.4	5-15P	686



Husmann refrigerated merchandisers configured for sale for use in the United States meet or surpass the requirements of the DOE 2017 energy efficiency standards.

Note

Use Husmann's technical data sheets to get precise dimensions for all store layout purposes.

NOTE: We reserve the right to change or revise specifications and product design in connection with any feature of our products. Such changes do not entitle the buyer to corresponding changes, improvements, additions, or replacements for equipment previously sold or shipped.

HUSMANN®

Husmann Corporation
12999 St. Charles Rock Rd.
Bridgeton, MO 63044-2483
Ph: 314.291.2000

www.husmann.com