

HUSSMANN®

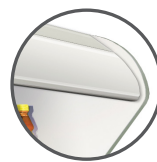
Insight® Merchandisers



ID5SL-RS

Insight 5-Deck Merchandisers
with Low Front and Rear Sliding Doors
for Dairy and Deli Applications

Two versatile styling options

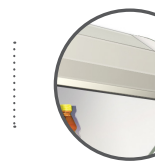


CANOPY



BUMPER

Ellipse



CANOPY



BUMPER

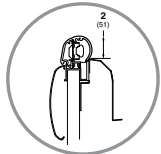
Faceted

Enabling Excellence in Food Retailing.

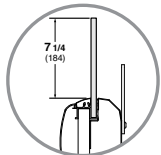
Hussmann Insight® 5-Deck Merchandisers with Low Front and Rear Sliding Doors for Dairy and Deli Applications

ID5SL-RS - Insight, Dairy, 5-Deck, Standard Front-to-Back Depth, Low Front, Rear Load, Sliding Rear Doors

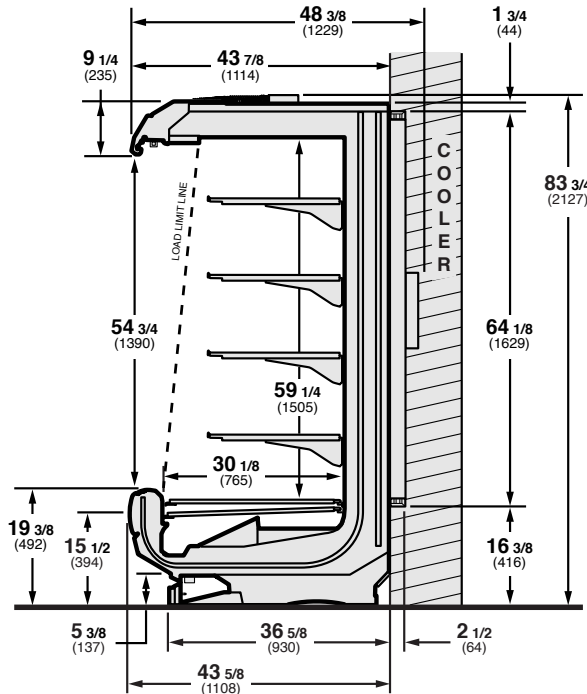
Available in 8' and 12' lengths.



Optional Rail Light
(Can not be used with glass front option)



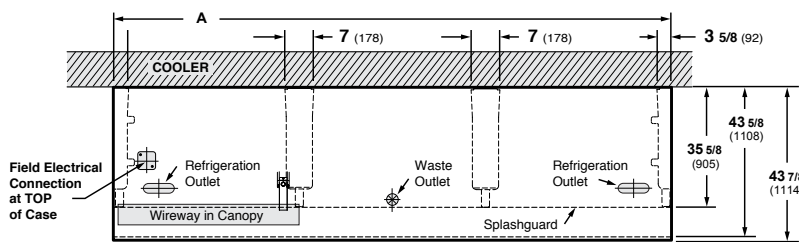
Optional Glass Front
(Can not be used with rail light option)



Gross Refrigerated Volume* - **11.5 ft³/ft**
(1.07 m³/m)

*per ANSI/AHRI 1200-2013 appendix C. Volume Calculation

Plan View



Dimensions	8 FT	12 FT
A	96 1/4 (2445)	144 3/8 (3668)

Note: Overall case length without ends or partitions. Contact your sales representative for information on possible availability of additional case lengths.

Note

Use Hussmann's technical data sheets to get precise dimensions for all store layout purposes.

Features / Benefits

- The ID5SL-RS case with rear sliding doors is designed to improve stocking capability by maximizing the rear door opening
- Products can be stocked quickly and stay cold
- Good for high traffic stores, reduces stocking time
- **Superior Food Quality**
 - More stable and uniform product temperatures to maintain freshness
 - Shorter defrost cycles protect food integrity
- **Energy and Sustainability Benefits**
 - Significant case energy savings vs. other currently available Hussmann products
 - EcoShine II LED lights standard, up to 71% more efficient than fluorescents
 - Over 30% less refrigerant in coils vs. previous coil designs
- **Easier to Clean, Better Sanitation**
 - Electrical parts/connections in splash zone can be sprayed with water, rated IP 67
 - New anti-clog drain strainer
 - Seamless plastic "bathtub" bottom helps prevent leaks
- **Easier Service**
 - Wiring raceway in canopy for easy access
 - Flip-up access door on optional bottom rack for easy access to drain, fans and valves
 - Standard LED lights reduce relamping and other maintenance costs
- **Superior Merchandising**
 - Ellipse and faceted design options to align with store image
 - Convertible merchandising optionally available
 - EcoShine II LED lighting standard, customized for optimal product lighting

Options

- Various ends, lighting, shelves, racks, paint and bumper colors
- Two basic styling options, ellipse and faceted, with mix and match alternatives
- Unique, high efficiency night curtains
- Flip-up bottom rack for easier cleaning/service
- EcoVision doors can be field installed after purchase
- Sign-ready canopy fascia panel
- Options available on most models to adjust performance to Type II climatic conditions



Hussmann refrigerated merchandisers configured for sale for use in the United States meet or surpass the requirements of the DOE 2017 energy efficiency standards.

NOTE: These merchandisers are designed for use in stores when temperature and humidity do not exceed 75°F (23.9°C) and 55% R.H.

NOTE: We reserve the right to change or revise specifications and product design in connection with any feature of our products. Such changes do not entitle the buyer to corresponding changes, improvements, additions, or replacements for equipment previously sold or shipped.

Hussmann Corporation

12999 St. Charles Rock Rd.
Bridgeton, MO 63044-2483
Ph: 314.291.2000

www.hussmann.com