



IM4SLI90X

90° INSIDE WEDGE MERCHANDISER



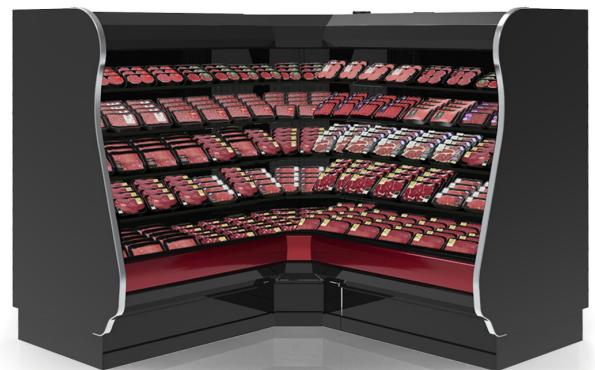
ADVANTAGES

- High volume multi-deck designed to display pre-packaged fresh meats
- Energy and sustainability benefits
- Better structural integrity
- Easier to service
- Superior merchandising



KEY POINTS

- Extra wide 4-deck merchandiser
- Low front
- DOE compliant energy performance
- Flexible shelf positions



IM4SLI90X Insight® 90° Inside Wedge

MERCHANDISING

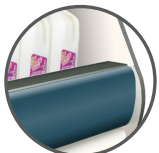
- 90° Inside Wedge can be used with IM4SL parent cases to create a 90° inward turn in a line-up
- Additional Insight wedges may be available. Consult Hussmann sales representative.

STORE CONDITIONS

- NSF / ANSI Certified
- Intertek ETL Listed

OPTIONS

- Optional shelf lighting
- Various shelf sizes and bumper options
- Several paint and bumper colors available



BUMPER
Ellipse



BUMPER
Faceted



Hussmann refrigerated merchandisers configured for sale for use in the United States meet or surpass the requirements of the DOE 2017 energy efficiency standards.

NOTE: These merchandisers are designed for use in stores when temperature and humidity do not exceed 75°F and 55% R.H.

We reserve the right to change or revise specifications and product design in connection with any feature of our products. Such changes do not entitle the buyer to corresponding changes, improvements, additions, or replacements for equipment previously sold or shipped.

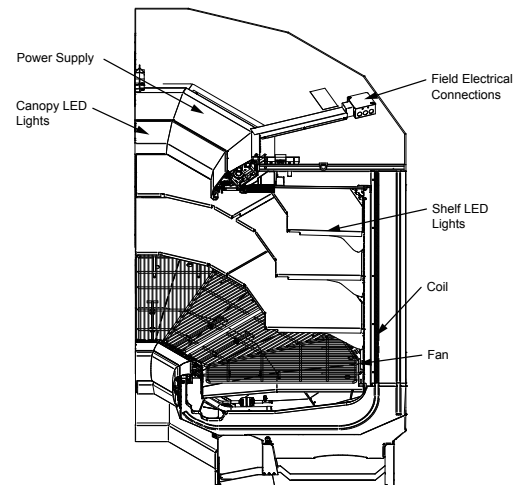
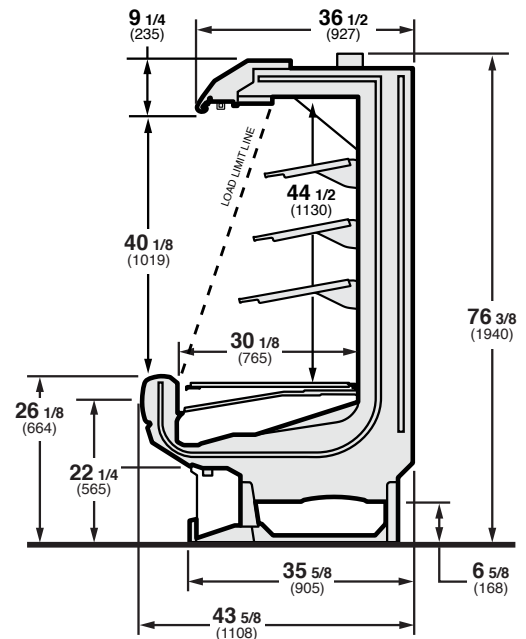
For additional resources, contact your representative or visit www.hussmann.com.

TECHNICAL INFORMATION



Scan the QR code with your mobile device to access technical data sheet on hussmann.com

IM4SLI90X



HUSSMANN®

Hussmann Corporation
12999 St. Charles Rock Rd.
Bridgeton, MO 63044-2483
Ph: 800.592.2060

www.hussmann.com