



IDDF5SM-TE

FREEDOM 5-DECK MERCHANDISER WITH DOORS



ADVANTAGES

- Case height allows passage through an 82" doorway
- Field-installed refrigeration, top-mounted condensing unit or remote
- Ideal for any medium temp, high volume deli, dairy, or beverage products
- No drain required with top mounted refrigeration, providing greater mobility



KEY POINTS

- EcoVision doors provide up to 82% energy savings compared to cases without doors
- Easy-to-clean case bottom with coil in back wall and flip-up fan plenums



IDD5SM-TE Insight® Freedom Merchandiser with Doors

MERCHANDISING

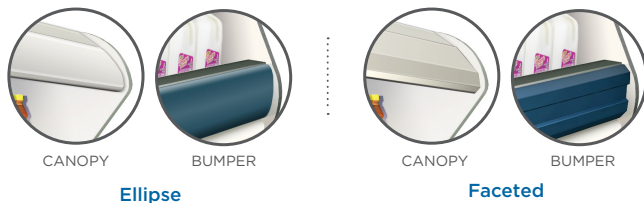
- Convertible merchandising for multiple applications
- EcoShine II LED lighting standard for optimal product lighting

STORE CONDITIONS

- NSF Type 2 Standards
- NSF / ANSI Certified
- Intertek ETL Listed
- DOE 2017 Certified

OPTIONS

- Various ends, lighting, shelves, racks, paint, and bumper colors
- Flip-up bottom rack for easier cleaning/service
- Two basic styling options for canopy and bumper, ellipse and faceted, with mix and match alternatives

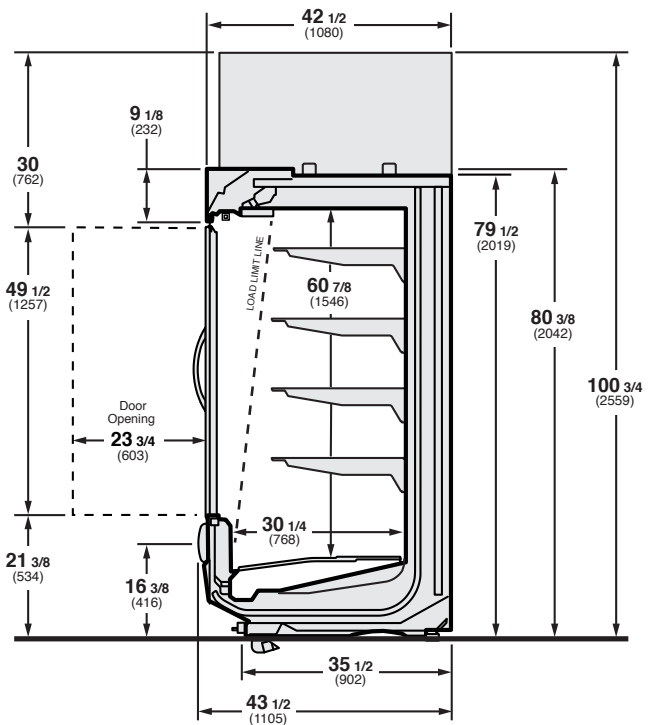


TECHNICAL INFORMATION



Scan the QR code with your mobile device to access technical data sheet on hussmann.com

Available with 4', 6', 8', and 12' lengths.



Gross Refrigerated Volume* - **11.6 ft³/ ft**
(1.08 m³/ m)

*per ANSI/AHRI 1200-2013 appendix C. Volume Calculation



Hussmann refrigerated merchandisers configured for sale for use in the United States meet or surpass the requirements of the DOE 2017 energy efficiency standards.

NOTE: These merchandisers follow NSF Type 2 standards and are designed for use in stores when temperature and humidity do not exceed 75°F and 55% R.H. We reserve the right to change or revise specifications and product design in connection with any feature of our products. Such changes do not entitle the buyer to corresponding changes, improvements, additions, or replacements for equipment previously sold or shipped. For additional resources, contact your representative or visit www.hussmann.com.

HUSSMANN®

Hussmann Corporation
12999 St. Charles Rock Rd.
Bridgeton, MO 63044-2483
Ph: 800.592.2060

www.hussmann.com