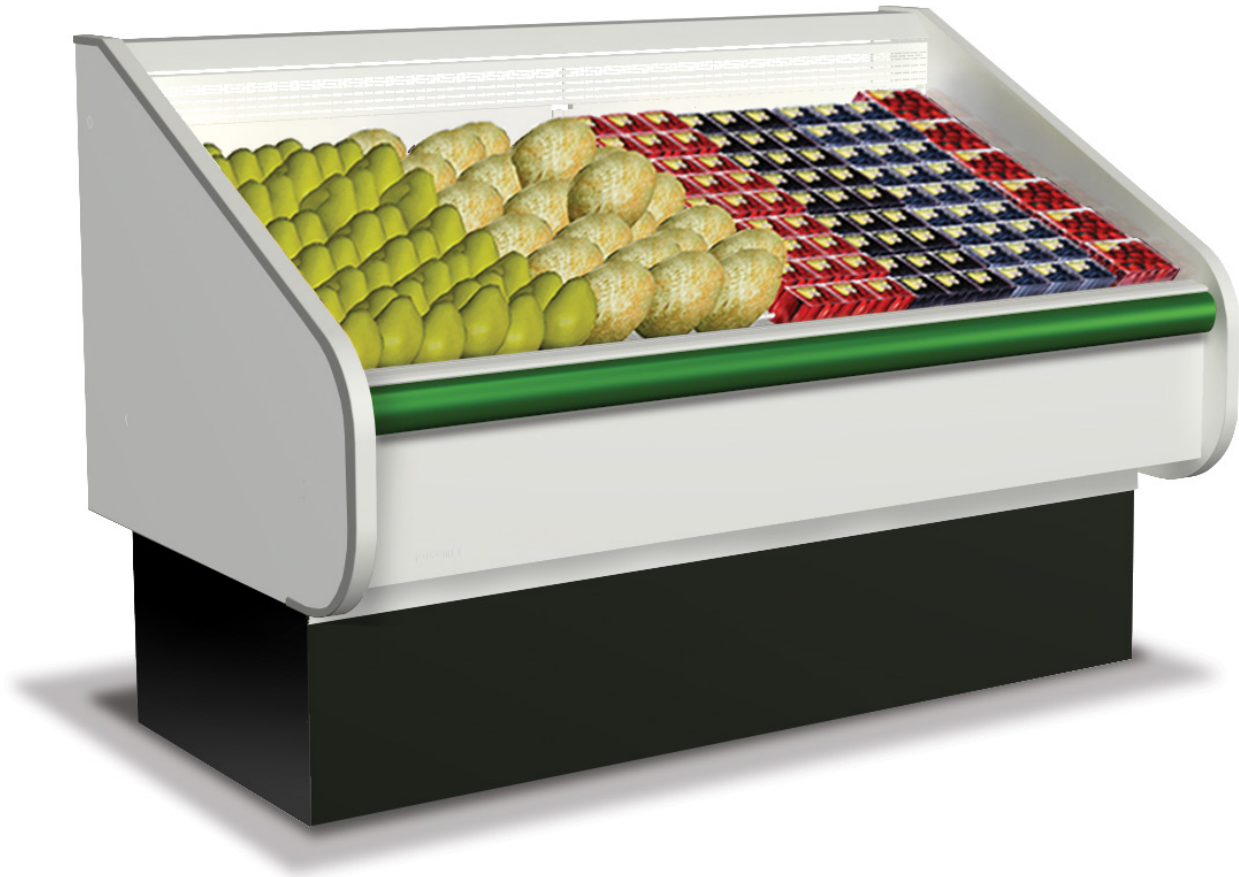


HUSSMANN®



P1X50-EP

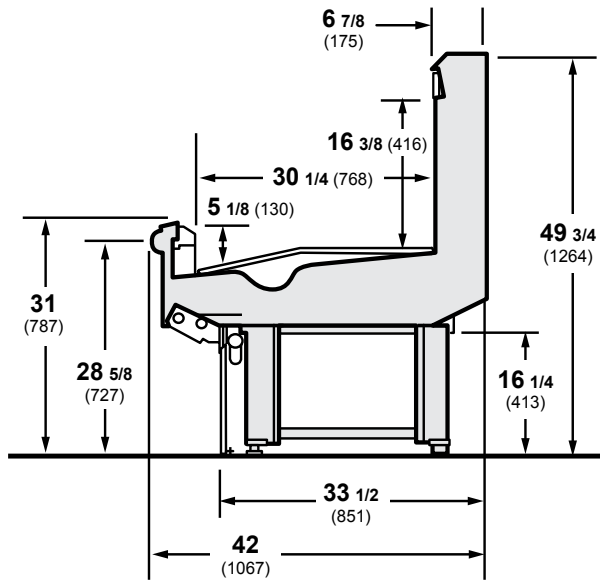
Excel Single-Deck
Produce Merchandiser

www.hussmann.com

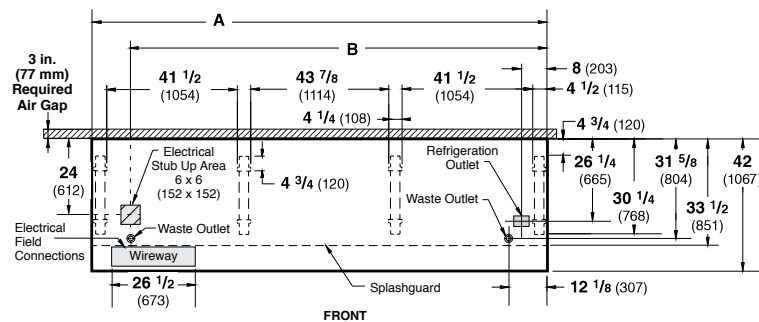
Husmann Excel Single-Deck Produce Merchandiser

PIX50-EP - Produce, Single-Deck, Excel, 50" Height, Extra High Efficiency

Available in 8' and 12' lengths. Contact your sales rep for information on possible availability of additional case lengths.



Plan View



Dimensions	6 FT	8 FT	12 FT
A	72 3/8 (1838)	96 3/8 (2448)	144 1/2 (3670)
B	60 1/4 (1530)	84 1/4 (2140)	132 3/8 (3363)

Notes:
Case-to-case electrical connections are made in front of splashguard.
Overall case length without ends or partitions.

Note

Use Husmann's technical data sheets to get precise dimensions for all store layout purposes.

Superior Merchandising

The PIX50-EP is a single-deck display that makes your produce easy-to-see and easy-to-reach. This model is 50" tall for extra back wall height.

Lower Energy Costs

The PIX50-EP includes energy efficient "extra-high efficiency" E-Plus coils that reduce energy by about 18%. Night curtains can be added to further reduce energy use by about 12%.

Superior Shelf Life

Modular coils and off-time defrost work to reduce thermal shock and stabilize product temperatures, resulting in better freshness and longer shelf life.

Lower Labor Costs

Labor saving features include greater clearance under the case, easy-to-clean "bathtub" bottom, easier raceway access, and more.

Superior Reliability

Our five year modular coil warranty is the best available. Pre-set, adjustable expansion valves are designed to hold optimal temperatures.

DOE 2012 Energy Efficiency Compliant Husmann refrigerated merchandisers configured for sale for use in the United States meet or surpass the requirements of the DOE 2012 energy efficiency standards.

NOTE: These merchandisers are designed for use in stores when temperature and humidity do not exceed 75°F and 55% R.H.

NOTE: We reserve the right to change or revise specifications and product design in connection with any feature of our products. Such changes do not entitle the buyer to corresponding changes, improvements, additions, or replacements for equipment previously sold or shipped.

For additional resources, contact your representative or visit www.husmann.com.

HUSMANN®

Husmann Corporation
12999 St. Charles Rock Rd.
Bridgeton, MO 63044-2483
Ph: 314.291.2000

www.husmann.com