

Protocol OLP

Environmental Benefits Compared to Traditional Rack Systems.

- Better energy efficiency reduces use of fossil fuels, reduces air pollution.
- Significantly smaller refrigerant charge reduces use of HFCs.
- Significantly lower refrigerant leak rate.



PROTOCOL OLP

Outdoor Low Profile Unit.

Protocol OLP mounts on roof near case line-up.

The OLP mounts on the roof directly above its case load for ease of installation and traditional charge reduction benefits. This is perfect for interior store displays, such as wide island or reach-in line-ups using standard loop piping. And, it may not require a roof curb, saving installation costs.

Design flexibility.

OLP units are modular, allowing up to six compressors per enclosure. They can stand alone or be mounted to a matched Krack condenser.

Sustainable Solutions.

Protocol is the most widely used refrigeration system directly addressing today's environmental concerns. We are using the phrase "Sustainable Solutions" to underscore Protocol's important role in helping address environmental issues.

Hussmann is committed to developing advanced technologies that reduce the use of HFCs and improve energy efficiency. Protocol is just one of many alternatives we offer to promote sustainable solutions.

Excellent electrical capacity and flexibility.

Protocol OLP has a large, flexible electrical panel configuration. This may reduce the need for other remote panels and switch gear.

Circuits can be easily removed as your load requirements change.

Two compressor options.

Protocol OLP can use either scroll compressors or reciprocating compressors for greater flexibility. Consult your application engineer for specific design options.

Protocol environmental advantages.

- Significant reduction in refrigerant charge.
- Significant reduction in greenhouse gas emissions.
- Better energy efficiency in virtually all applications.
- Less copper refrigerant piping.
- Fewer braze joints for fewer leaks.

Other advantages.

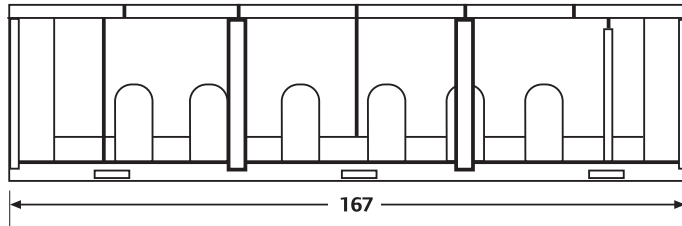
- Easy to service and maintain.
- No machine room needed.
- Lower installation costs.
- Decreases or eliminates the need for EPRs.
- Air or water-cooled condensing.

Circuits can be easily added or removed as your load requirements change.

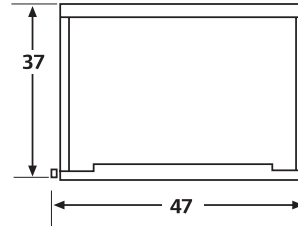


Protocol OLP without condenser.

Front View

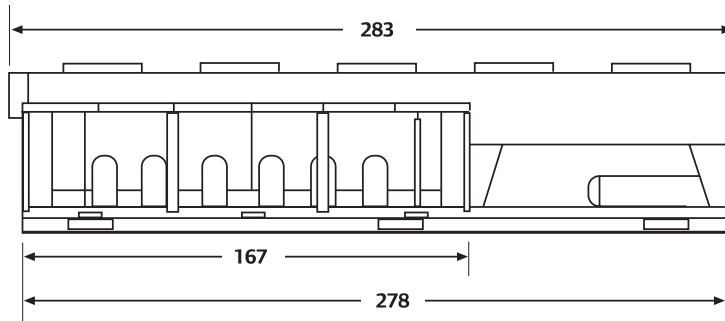


Side View

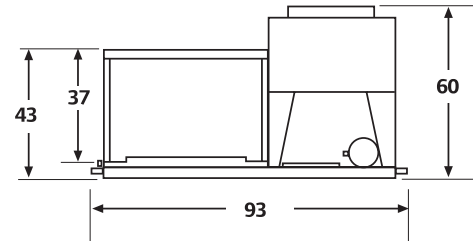


Protocol OLP with in-line condenser - 5 fans.

Front View

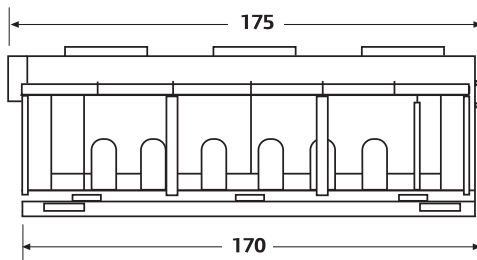


Side View

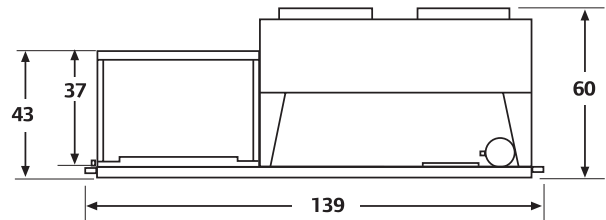


Protocol OLP with 2x3 condenser - 6 fans.

Front View



Side View



NOTE: We reserve the right to change or revise specifications and product design in connection with any feature of our products. Such changes do not entitle the buyer to corresponding changes, improvements, additions, or replacements for equipment previously sold or shipped.

For additional resources, contact your representative or visit www.hussmann.com.

HUSSMANN®

Hussmann Corporation
12999 St. Charles Rock Rd.
Bridgeton, MO 63044-2483
Ph: 314.291.2000

www.hussmann.com