

HUSSMANN®

Specialty



Q-Series Family

Q1-FC

Single-Deck Service, Curved Glass Merchandiser
for Seafood Applications

www.hussmann.com

Hussmann Q-Series Single-Deck Service, Curved Glass Merchandiser for Seafood Applications

Q1-FC



Merchandising Flair
Stylish curves combined with sleek design elements create enhanced product visibility. Granite or solid surface design allows for an amazing merchandising display unlike other service cases.

Merchandising Capacity
33" product depth in a single-deck platform.

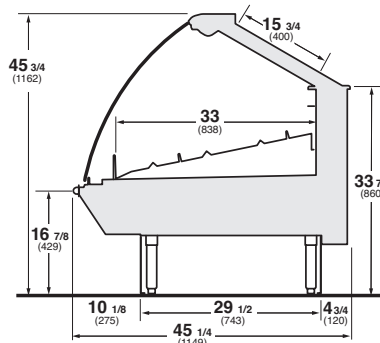
Quality Fit and Finish
Designed for ease of installation, it has a simplified glass adjustment with a special alignment design that assures fit and does not require unsightly joint trim.



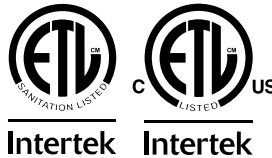
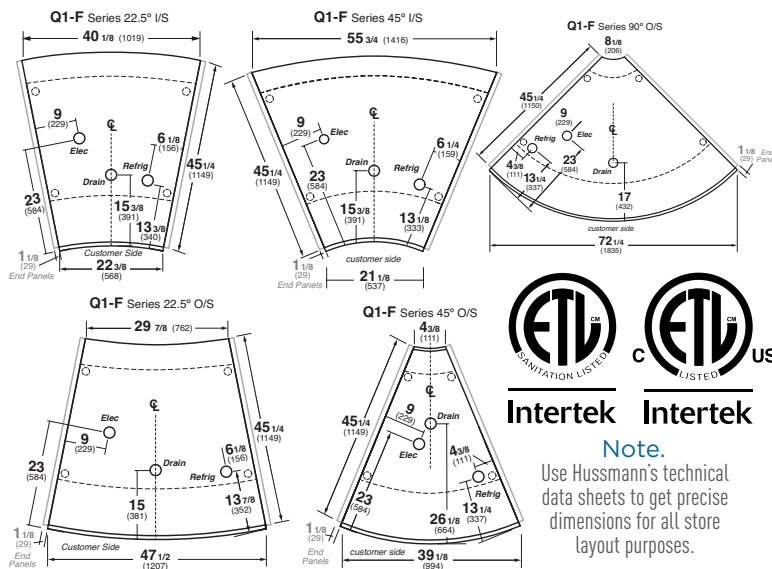
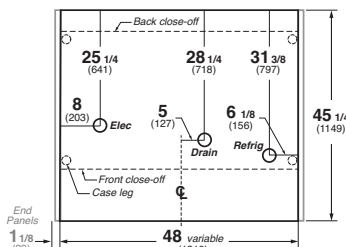
Ergonomic Design
Large rear door opening and steep angle allow for ease of access to product.

Remote Lengths: 4', 6', 8', and 12'
Wedges: 22.5° inside and outside wedges 45° inside and outside wedges 90° outside wedge

Q1-FC
Curved Glass - Single-Deck Fish



Q1-FC/FS Single-Deck Fish



Note.
Use Hussmann's technical data sheets to get precise dimensions for all store layout purposes.

Features.

- Tempered, lift-up curved front glass and glass top
- Air sweep
- Mono coil system (5 year warranty)
- Coil corrosion protective coating
- Adjustable stainless steel legs
- Adjustable ice pans
- Double-row LED top light
- Snap-on painted lower front panel
- Silver anodized glass hardware
- Black thermoplastic rear ledge
- Stainless steel front ledge with black vinyl cart bumper
- Removable brushed stainless steel interior wall and deck
- Snap on stainless steel rear close-off panel
- Solar digital thermometer
- Electronic ballast
- Thermostat and suction stop solenoid
- Please reference color chart for choice of standard Hussmann paint and finish options (www.hussmann.com)

Options.

- Non-glare glass (excluding 45° inside and 22.5° inside wedges)
- Corian® or other solid surface on rear and top ledge surfaces (requires NSF approved materials)
- Rear doors (mirrored or clear glass)
- View or solid ends
- Mirror finish stainless steel inside end panels
- Stainless steel mock pedestals
- Top mounted scale stand with integrated and communication cables
- LED ledge lights †
- Liquid line shut-off hand valve
- 15 amp and GFCI duplex outlets
- Special interior and exterior finishes
- Adjustable heights for Q-Series families
- Custom lengths and options* (consult your Hussmann sales representative)

Additional Information:

- Matching companion case lines: **Q1-FS**
- Q-Series Entire Family: **Q-Series Family**
- Single-Deck Service Deli Curved Glass: **Q1-DC**
- Single-Deck Self-Service: **Q1-SS**
- Service Hot Curved Glass: **Q-HC**
- Service Meat or Seafood Curved Glass: **Q3-MC or Q3-FC**
- Multi-Deck Service Bakery Curved Glass: **Q3-BC**
- Multi-Deck Service Deli Curved Glass: **Q3-DC**
- Multi-Deck Self-Service: **Q3-SS or Q4-SS**
- Multi-Deck Service and Self-Service: **Q3-SP**



Hussmann refrigerated merchandisers configured for sale for use in the United States meet or surpass the requirements of the DOE 2017 energy efficiency standards.

* Some optional features may need to be certified by UL, NSF, and/or other 3rd party certification agencies. Contact Hussmann for verification or questions for availability.

† Only lighting configurations that are compliant with the U.S. Dept. of Energy (DOE) 2017 regulation are available for sale for use in the U.S.A.

NOTE: These merchandisers are designed for use in stores when temperature and humidity do not exceed 75°F and 55% R.H. We reserve the right to change or revise specifications and product design in connection with any feature of our products. Such changes do not entitle the buyer to corresponding changes, improvements, additions, or replacements for equipment previously sold or shipped.

For additional resources, contact your representative or visit www.hussmann.com.

Hussmann Specialty

13770 Ramona Avenue
Chino, California 91710-5423
Ph: 800.395.9229

www.hussmann.com

HUSSMANN®