

HUSSMANN®

Specialty



Q-Series Family

Q1-SS, Q1-SSN

Multi-Deck Self-Service Merchandiser
for Deli, Cheese, Salads, and Grab-n-Go Applications

www.hussmann.com

Hussmann Q-Series Single-Deck, Self-Service Merchandiser for Deli, Cheese, Salads, and Grab-n-Go Applications

Q1-SS, Q1-SSN



Merchandising Flair
Stylish curves combined with sleek design elements create enhanced product visibility. Granite or solid surface design allows for an amazing merchandising display unlike other service cases.



Quality Fit and Finish
Designed for ease of installation: it has a simplified design that assures fit and does not require unsightly joint trim.



Features.

- 1/2" Plexiglas® front
- Modular coil system (5-year warranty)
- Adjustable stainless steel legs
- Snap-on painted lower front panel
- Black thermoplastic front and rear ledge
- Black vinyl cart bumper
- Removable brushed stainless steel interior wall and deck
- Energy efficient fans
- Snap-on stainless steel rear close-off panel
- Solar digital thermometer
- Please reference color chart for choice of standard Hussmann paint and finish options (www.hussmann.com)

Options.

- Thermostat
- Stainless steel 1- or 2-step display
- Corian®, granite or other solid surface front and rear ledge surfaces (requires NSF approved materials)
- Coil corrosion protective coating
- View or solid ends
- Mirror finish stainless steel inside end panels
- Stainless steel mock pedestals
- LED ledge lights †
- Liquid line shut-off hand valve
- 15 amp and GFCI duplex outlets
- Special interior and exterior finishes
- Optional base heights (consult factory)
- Custom lengths and options* (consult your Hussmann sales representative)

Q1-SS

Remote: 4', 5', 6', 8', 10', 12'

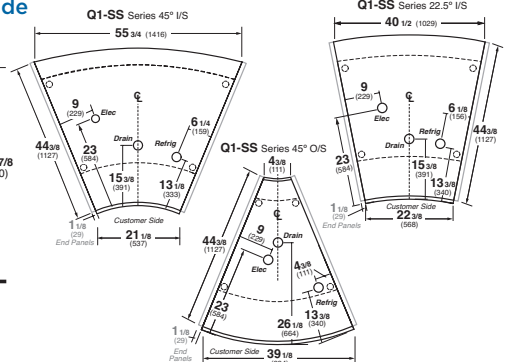
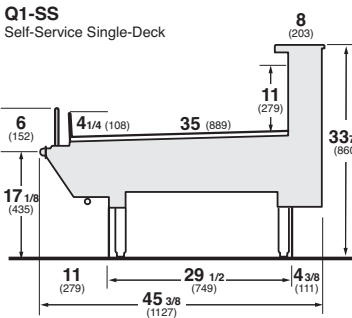
Wedges:

22.5° inside and outside;

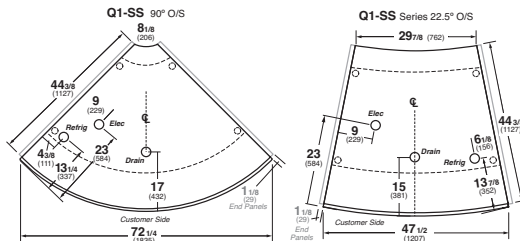
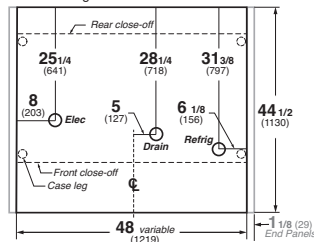
45° inside and outside; 90° outside

Q1-SS

Self-Service Single-Deck



Q1-SS Single-Deck Deli



Q1-SSN

Remote: 3', 4', 7', 8', 10', 12'

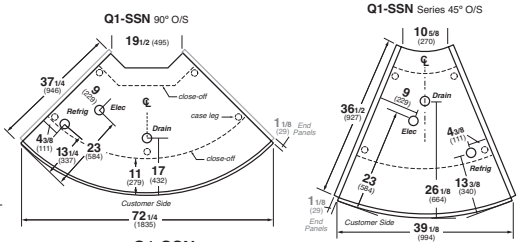
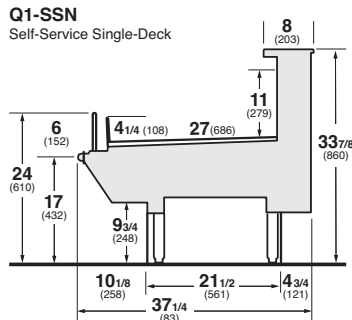
Wedges:

90° outside;

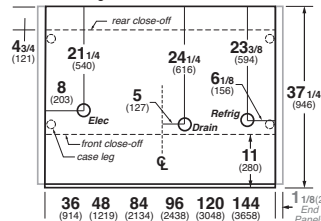
45° outside

Q1-SSN

Self-Service Single-Deck



Q1-SSN Single-Deck Deli



Additional Information.

- Single-Deck Service Deli Curved or Straight Glass: Q1-DC or Q1-DS

- Service Hot Curved or Straight Glass: QHC or QHS

- Service Fish Curved or Straight Glass: Q1-FC or Q1-FS

- Multi-Deck Service Deli Curved or Straight Glass: Q3-DC or Q3-DS

- Multi-Deck Service Bakery Curved or Straight Glass: Q3-BC or Q3-BS

- Multi-Deck Self-Service: Q4-SS

- Multi-Deck Self-Service Front with Service Prep Top: Q3-SP, Q2-SPN

DOE 2017 Energy Efficiency Compliant

Hussmann refrigerated merchandisers configured for sale for use in the United States meet or surpass the requirements of the DOE 2017 energy efficiency standards.

* Some optional features may need to be certified by UL, NSF, and/or other 3rd party certification agencies. Contact Hussmann for verification or questions for availability.

† Only lighting configurations that are compliant with the U.S. Dept. of Energy (DOE) 2017 regulation are available for sale for use in the U.S.A.

NOTE: These merchandisers are designed for use in stores when temperature and humidity do not exceed 75°F and 55% R.H. We reserve the right to change or revise specifications and product design in connection with any feature of our products. Such changes do not entitle the buyer to corresponding changes, improvements, additions, or replacements for equipment previously sold or shipped.

For additional resources, contact your representative or visit www.hussmann.com.



Intertek

Intertek

Note.

Use Hussmann's technical data sheets to get precise dimensions for all store layout purposes.

HUSSMANN®

Hussmann Specialty
13770 Ramona Avenue
Chino, California 91710-5423
Ph: 800.395.9229

www.hussmann.com