

HUSSMANN®

Specialty



Q-Series Family

Q-HS

Single-Deck Hot Merchandiser with Straight Glass -
Service or Self-Service

www.hussmann.com

Hussmann Single-Deck Hot Merchandiser with Straight Glass - Service or Self-Service

Q-HS



Reduced Light Reflection and Distortion With Hi-Def Glass

- Less than 2% reflectance.
- Transmits 90% + visible light. ^a
- Blocks 99% UV transmittance. ^a



Quality Fit and Finish
Design for ease of installation. Has simplified glass adjustment with a special alignment design that assures fit. Does not require unsightly joint trim.



Merchandising Flexibility
Optional surface warmer for specialty merchandising.

Family Ties
Matches sleek design elements of the Q-Series family.



Reduced Product Shrink
Convection extends shelf life and hot air circulation reduces glass sweating to improve product visibility.

Ergonomics
Large rear door opening, flat top and angled back improve product access.

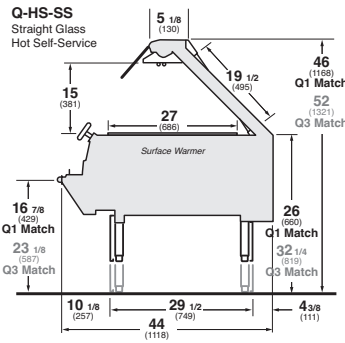
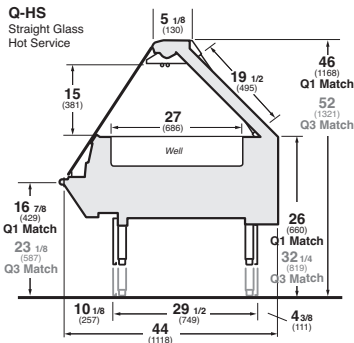


Service Lengths: 4', 5', 6', 8', 10', and 12'

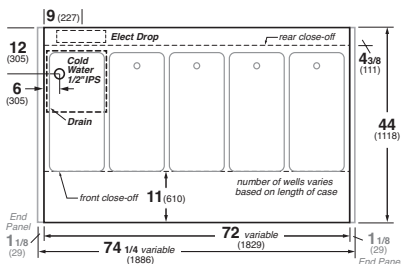
Combo Lengths: 8' and 12' (Surface Warmer and Hot Well)

Self-Service Lengths: 4', 5', 6', 8', 10', and 12' Consult factory for availability.

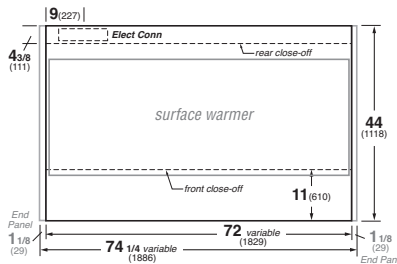
Service Wedges: 22.5° outside/inside wedges
45° outside/inside wedges (Surface Warmers only)



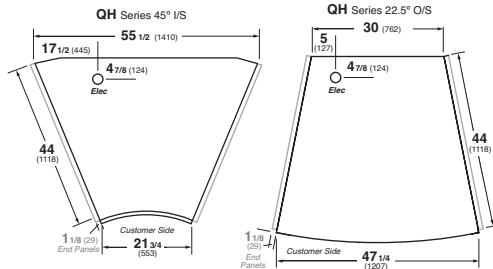
QHC, QHS Q-Series Hot Merchandisers



QH-SS Q-Series Hot Merchandisers



Case Length	Hot Wells Individual Controls (12" x 27")
4'	3 wells
5'	4 wells
6'	5 wells
8'	6 wells
10'	8 wells
12'	9 wells



Features and Benefits

- Tempered, lift-up straight front clear glass
- Stainless steel interior and exterior back
- Stainless steel top
- Overhead T-5 lighting
- Dry individual control hot wells (service cases)
- 27" surface warmers (self-service)
- Overhead heating elements
- Adjustable legs
- Clear glass rear sliding doors
- Snap-on, stainless steel lower rear panel
- Please reference color chart for choice of standard Hussmann paint and finish options (www.hussmann.com)

Options

- Corian® or other solid surface front ledge (NSF approved material)
- Individual control steam wells with auto-fill
- Optional base heights to match Q1 or Q3 adjoining cases
- Thermoplastic wrapping boards
- Mirrored rear doors
- Solid end panels with Autobrite interior
- View end panels
- Top mounted scale stand extensions with dedicated scale outlet and Cat 5 scale connections
- Flat surface warmer in lieu of well (service only)
- Custom lengths and options* (consult your Hussmann sales representative)

Additional information:

- Matching companion case lines: **Q-Series Family**
- Single-Deck Service Deli: **Q1-DS**
- Service Seafood: **Q1-FS**
- Multi-Deck Service Deli: **Q3-DS**
- Multi-Deck Service Bakery: **Q3-BS**
- Multi-Deck Self-Service: **Q3-SS or Q4-SS**
- Multi-Deck Self-Service Front with Service Prep Top: **Q3-SP**

* Some optional features may need to be certified by UL, NSF, and/or other 3rd party certification agencies. Contact Hussmann for verification or questions for availability.

^a Pilkington OptiView™ product literature.

NOTE: These merchandisers are designed for use in stores when temperature and humidity do not exceed 75°F and 55% R.H. We reserve the right to change or revise specifications and product design in connection with any feature of our products. Such changes do not entitle the buyer to corresponding changes, improvements, additions, or replacements for equipment previously sold or shipped.

For additional resources, contact your representative or visit www.hussmann.com.



Note.

Use Hussmann's technical data sheets to get precise dimensions for all store layout purposes.

HUSSMANN®

Hussmann Specialty

13770 Ramona Avenue
Chino, California 91710-5423
Ph: 800.395.9229

www.hussmann.com