

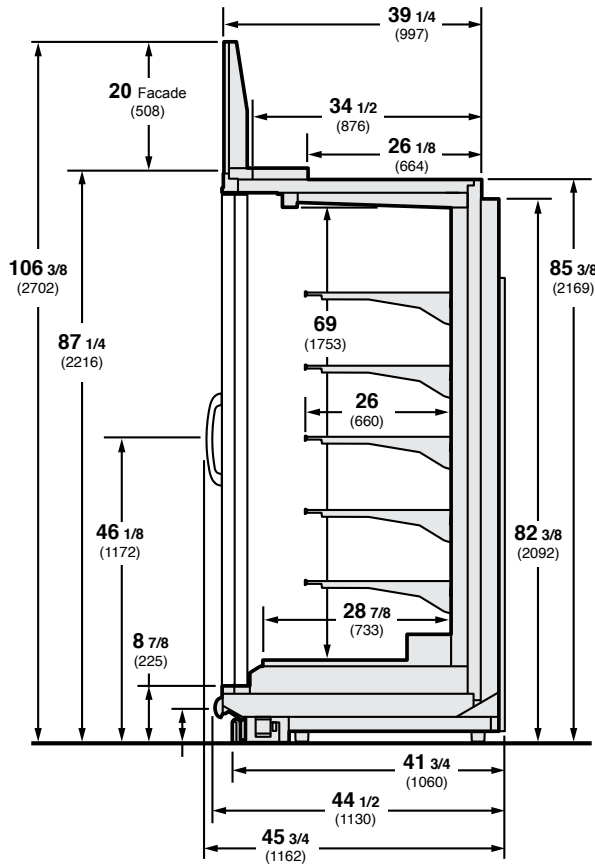


RFLTM

Freedom Line, Extra Tall Reach-In
for Low Temperature Applications

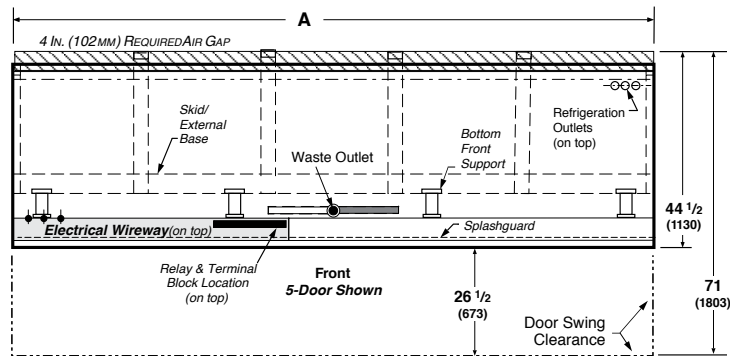
Hussmann Freedom Line Extra Tall Reach-In for Low Temperature Applications

RFLTM - Reach-In, Freedom Line, Low Temp, Extra Tall, Maximized Performance



Plan View

2, 3, 4, and 5 Door



Dimensions	2 DOOR	3 DOOR	4 DOOR	5 DOOR
A	62 (1575)	92 1/2 (2350)	122 7/8 (3121)	153 3/8 (3896)

Note: Overall case length without ends or partitions. Each standard end and each insulated partition adds 2 3/4 in. (70mm) to case line up.

Note

Use Hussmann's technical data sheets to get precise dimensions for all store layout purposes.

Features and Benefits

- Freedom Line cases provide the flexibility of field-installed refrigeration on top of case or from a remote location.
- The RFLTM is an extra tall reach-in case designed for maximum energy savings, refrigeration performance and merchandising impact.
- Suitable for heavy shopping environments.
- Superior energy efficiency.
- Excellent product temperature consistency throughout the refrigerated space.
- Now allows use of 26" shelves, increasing merchandise pack-out.
- Coil now mounted in case bottom for larger cubic capacity.
- Bottom deck is nearly 22" deep for optimal merchandise pack-out.
- Front-to-back case dimension, including rear air gap, is no larger than previous RLT and RMT models.

Options Include

- Up to 26" shelves now available for these models.
- Various shelves, racks, lighting, paint, and bumper colors.
- Innovator, Innovator I LE, and Innovator III doors available.
- Top-mounted or remote refrigeration.



Hussmann refrigerated merchandisers configured for sale for use in the United States meet or surpass the requirements of the DOE 2017 energy efficiency standards.

NOTE: These merchandisers are designed for use in stores when temperature and humidity do not exceed 75°F and 55% R.H.

NOTE: We reserve the right to change or revise specifications and product design in connection with any feature of our products. Such changes do not entitle the buyer to corresponding changes, improvements, additions, or replacements for equipment previously sold or shipped.

For additional resources, contact your representative or visit www.hussmann.com.



Hussmann Corporation
12999 St. Charles Rock Rd.
Bridgeton, MO 63044-2483
Ph: 314.291.2000

www.hussmann.com