



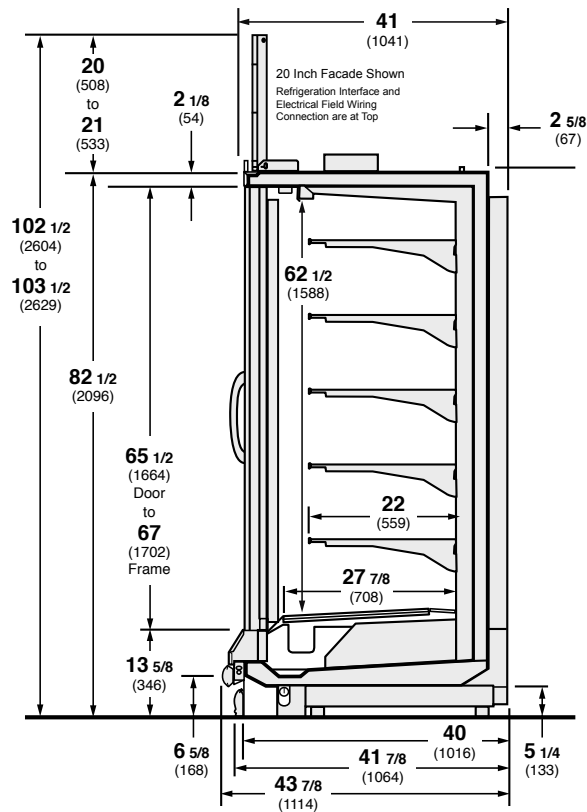
---

# RFL, RFM

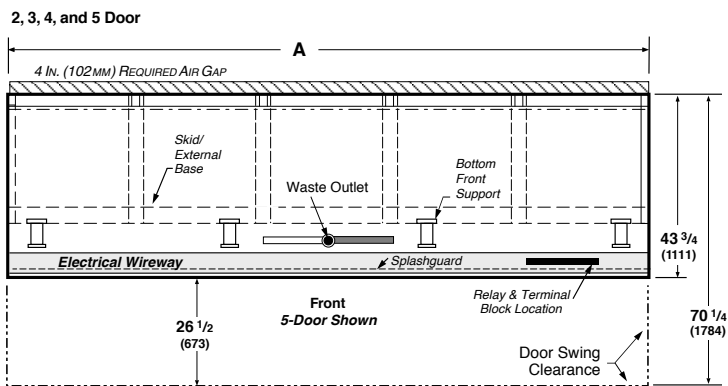
Freedom Line Reach-In Merchandisers  
for Frozen Food, Ice Cream, and Medium Applications

# Hussmann Freedom Line Reach-In Merchandisers for Frozen Food, Ice Cream, and Medium Temperature Applications

**RFL** - Reach-In, Freedom Line, Low Temp  
**RFM** - Reach-In, Freedom Line, Medium Temp



## Plan View



Dimensions	2 DOOR	3 DOOR	4 DOOR	5 DOOR
A	62 (1575)	92 1/2 (2350)	122 7/8 (3121)	153 3/8 (3896)

**Note:** Overall case length without ends or partitions. Each standard end and each insulated partition adds 2 3/4 in. (70mm) to case line up.

## Note

Use Hussmann's technical data sheets to get precise dimensions for all store layout purposes.

## Features and Benefits

- Freedom Line cases provide the flexibility of field-installed refrigeration on top of case or from a remote location.
- Suitable for heavy shopping environments.
- Superior energy efficiency.
- Excellent product temperature consistency throughout the refrigerated space.
- Now allows use of 26" shelves, increasing merchandise pack-out.
- Coil mounted in case bottom for larger cubic capacity.

## Options Include

- Up to 26" shelves now available for these models.
- Various shelves, racks, lighting, paint, and bumper colors.
- Innovator, Innovator I LE, and Innovator III doors available.
- Top-mounted or remote refrigeration.
- Base case cut-down kit available to allow entrance through an 82" door.
- Canopy and condensing unit are field installed.



Hussmann refrigerated merchandisers configured for sale for use in the United States meet or surpass the requirements of the DOE 2017 energy efficiency standards.

**NOTE:** These merchandisers are designed for use in stores when temperature and humidity do not exceed 75°F and 55% R.H.

**NOTE:** We reserve the right to change or revise specifications and product design in connection with any feature of our products. Such changes do not entitle the buyer to corresponding changes, improvements, additions, or replacements for equipment previously sold or shipped.

For additional resources, contact your representative or visit [www.hussmann.com](http://www.hussmann.com).

**HUSSMANN®**

**Hussmann Corporation**  
12999 St. Charles Rock Rd.  
Bridgeton, MO 63044-2483  
Ph: 314.291.2000

[www.hussmann.com](http://www.hussmann.com)