

**HUSSMANN®**

---

Specialty



---

## RGD24, RGD30

Refrigerated, Self-Service Merchandiser  
for Deli, Dairy, Sandwiches, Grab-n-Go, Beverage,  
Produce, and Floral Applications

- Stand Alone, End Cap or In-Line

# Hussmann Refrigerated, Self-Service Merchandiser for Deli, Dairy, Sandwiches, Grab-n-Go, Beverage, Produce, and Floral Applications

## RGD24, RGD30

**Remote:** 24"D or 30"D x 72"H  
24"D or 30"D x 83"H  
Lengths: 3'9", 4', 5', 6', 8', 10', and 12'

**Self-Contained:**  
24"D x 72"H 3', 3'9", 4', \*5', \*6', and 8'  
30"D x 72"H 4', \*5', \*6', and 8'  
\*Case height is 89 5/8" for these lengths.

**Applications:**  
End Cap, Stand Alone, In-Line



**Merchandising Capacity**  
Up to 64 1/8" vertical product area and 24" deep shelves create a high volume product merchandiser.

## Features.

- 24" or 30" widths
- 72" or 83" heights (remote)
- Modular coil system - 5 year warranty
- Energy efficient fans
- Black interior
- Single top LED light
- Night curtain/shade
- 2" black vinyl cart bumper
- Solar digital thermometer
- Air evaporator pan with pump (self-contained, no floor drain)
- End panels (self-contained)
- Condensing unit (self-contained)
- Please reference color chart for choice of standard Hussmann paint and finish options ([www.hussmann.com](http://www.hussmann.com))

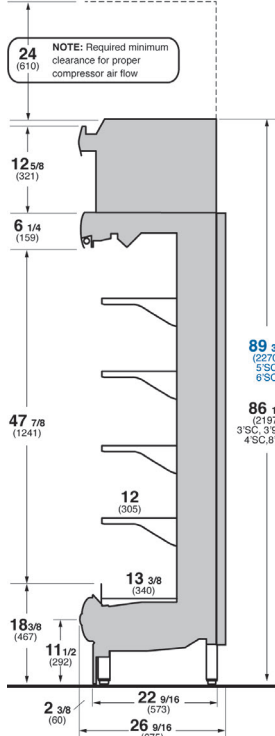
## Options.

- End panels (solid or view end)
- LED Lighting and shelving †  
RGD 72"H - 5 rows of shelves maximum allowed with LED lights (or unlighted).  
RGD 83"H - 7 rows of shelves maximum allowed with LED lights (or unlighted).
- Back-lit signage (LEDs) †
- Mirror bright stainless steel on interior of end panels
- Powder-coated adjustable (height/angle) shelf with tag molding and product stop (150 lb max.)
- Powder-coated level heavy-duty shelves with tag molding (250 lb max.)
- Security cover
- White or stainless steel interior
- Liquid line hand valve
- Special exterior finishes
- Custom lengths and options\* (consult your Hussmann sales representative)

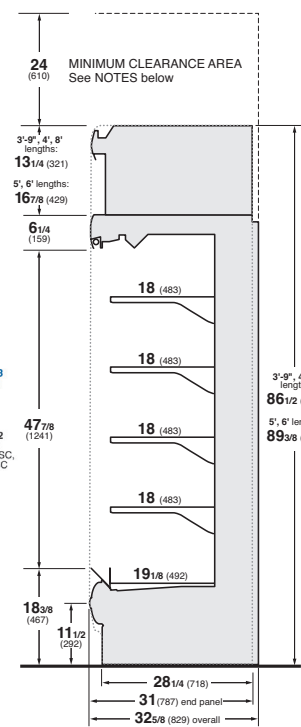
## Additional Information.

- Matching companion case lines:  
- Curved Self-Service Merchandiser: **RGDC**

**RGD24 72 -3SC, -3'9"SC, -4SC, -5SC, -6SC, -8SC**  
Self-contained Gondola Display

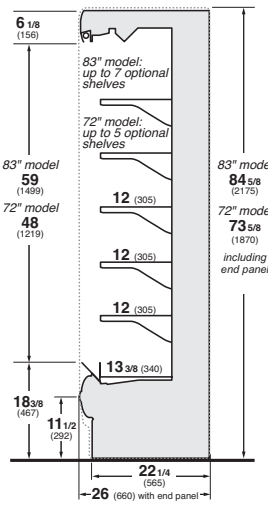


**RGD30 72 SC**  
Self-Contained Gondola Display

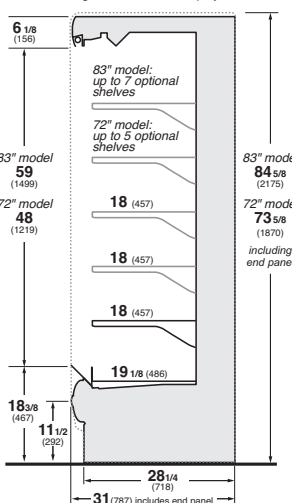


Maintain min. clearances as shown in dotted line area to facilitate air intake and discharge.  
Clean air circulation i.e. no air entrapment above unit so as to allow fresh air circulation

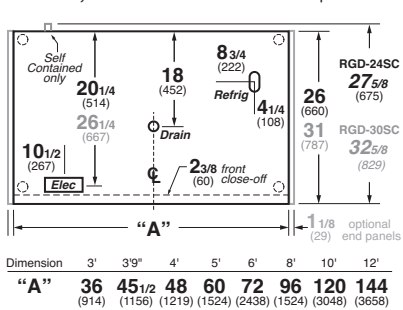
**RGD24 deep, 72" or 83" high**  
Remote Refrigerated Gondola Display



**RGD30 deep, 72" or 83" high**  
Remote Refrigerated Gondola Display



**RGD 24, 30 Remote and Self Contained plan view**



\*NOTE: Some options may be subject to changes in section and plan view dimensions.



Hussmann refrigerated merchandisers configured for sale for use in the United States meet or surpass the requirements of the DOE 2017 energy efficiency standards.

\* Some optional features may need to be certified by UL, NSF, and/or other 3rd party certification agencies. Contact Hussmann for verification or questions for availability.

† Only lighting configurations that are compliant with the U.S. Dept. of Energy (DOE) 2017 regulation are available for sale for use in the U.S.A.

NOTE: These merchandisers are designed for use in stores when temperature and humidity do not exceed 75°F and 55% R.H. We reserve the right to change or revise specifications and product design in connection with any feature of our products. Such changes do not entitle the buyer to corresponding changes, improvements, additions, or replacements for equipment previously sold or shipped.

For additional resources, contact your representative or visit [www.hussmann.com](http://www.hussmann.com).



Note: Use Hussmann's technical data sheets to get precise dimensions for all store layout purposes.

Intertek Intertek

**Hussmann Specialty**  
13770 Ramona Avenue  
Chino, California 91710-5423  
Ph: 800.395.9229

[www.hussmann.com](http://www.hussmann.com)

**HUSSMANN®**