



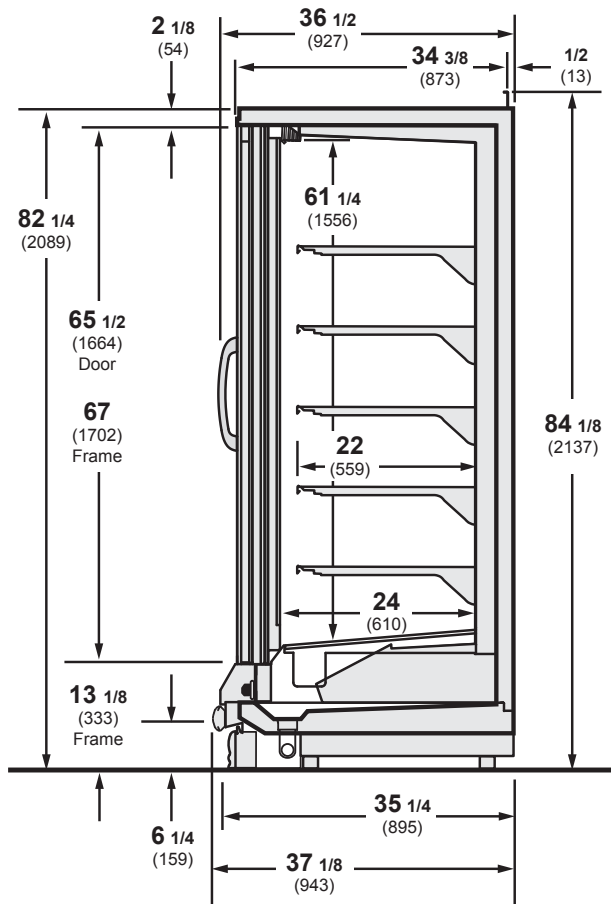
RLNE

Narrow Reach-In End Case
for Frozen Food and Ice Cream Applications

Available with Hussmann Innovator, Innovator II,
or Innovator III Glass Doors

RLNE -

Reach-In, Low Temp, Narrow Front-to-Back Dimension End Case



Features and Benefits

- A line-up using the RLNE end case can save up to 7-1/8" in length per end compared with the same line-up using an RLN for the end case. This 7-1/8" reduction in length is made up of:
 - No back brace or air gap = 4"
 - No end panel, thin partition = 1-3/4"
 - Flat front option = 1-3/8"
- With the RLNE on both ends, you can save up to 14-1/4" in length compared with the same line-up using RLN end cases.
- There is no stand-off frame on the back of the RLNE. It is attached directly to the end of the reach-in line-up with a thin partition.
- The RLNE can be used as an end for back-to-back RL or RLN line-ups.
- It can be used as an end case for an RLNI line-up.
- When used with one row of RL or RLN cases, dry shelving can be used on the back of the line-up.

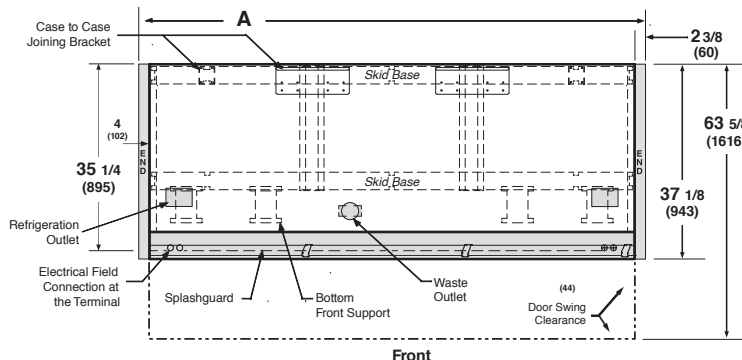
Options Include

- Standard or flat front.
- Various shelves, racks, lighting, paint and bumper colors.
- Innovator, Innovator II or Innovator III doors available.

Notes

- Use Hussmann's technical data sheets to get precise dimensions for all store layout purposes.

Plan View



NOTE: These merchandisers are designed for use in stores when temperature and humidity do not exceed 75°F and 55% R.H.

NOTE: We reserve the right to change or revise specifications and product design in connection with any feature of our products. Such changes do not entitle the buyer to corresponding changes, improvements, additions, or replacements for equipment previously sold or shipped.

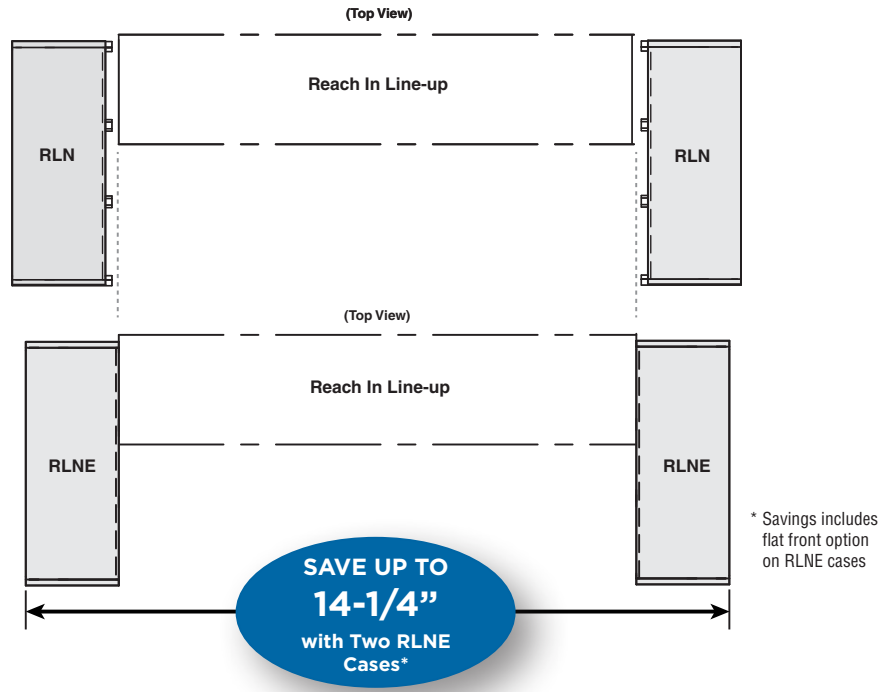
For additional resources, contact your representative or visit www.hussmann.com.



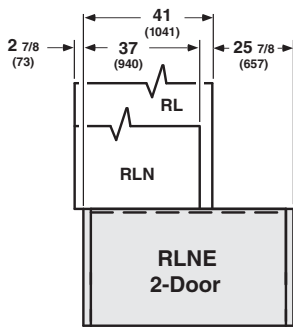
Hussmann refrigerated merchandisers configured for sale for use in the United States meet or surpass the requirements of the DOE 2017 energy efficiency standards.

RLNE Space Savings

Reduce line-up length by up to 14-1/4" with RLNE vs. RLN end cases.

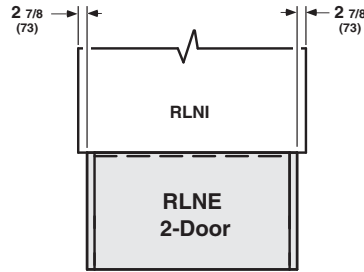


Line-Up Options

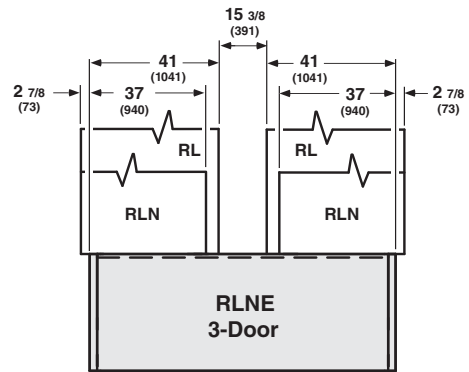


Above shows case lineup on left. Lineup may also be joined on the right.

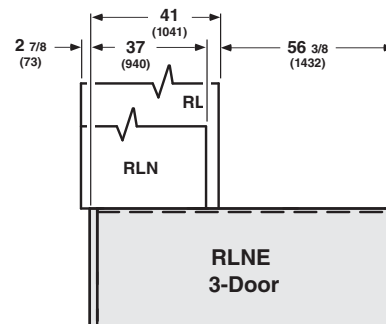
RL or RLN Single Row, RLNE 2-Door End Cap



RLNI Line-Up with 2-Door End Cap



RL or RLN Back-To-Back Line-Ups with RLNE 3-Door End Cap



Above shows case lineup on left. Lineup may also be joined on the right.

RL or RLN Single Row, RLNE 3-Door End Cap



Enabling excellence in food retailing.

HUSSMANN®

HUSSMANN®

Hussmann Corporation
12999 St. Charles Rock Rd.
Bridgeton, MO 63044-2483
Ph: 314.291.2000

www.hussmann.com