



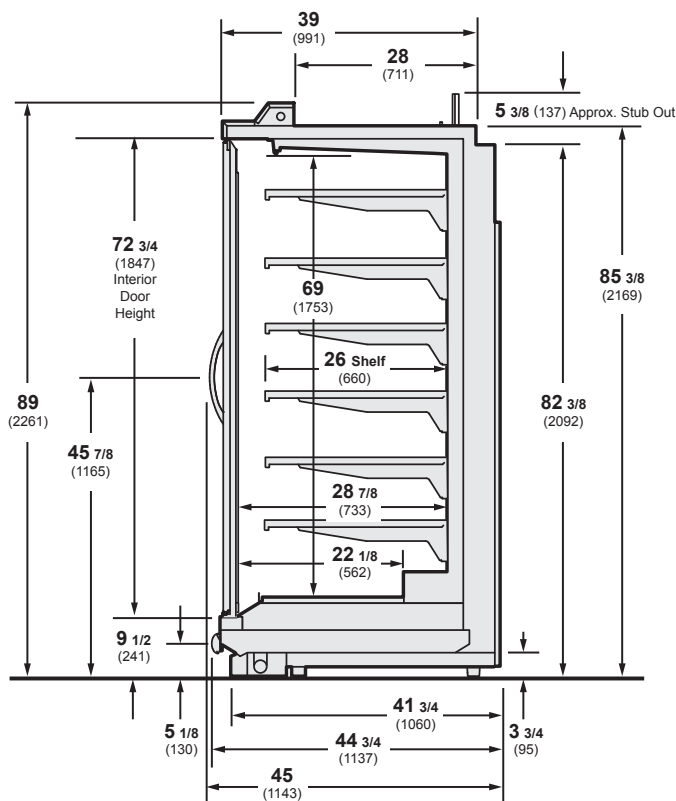
RMTD

Hussmann Medium Temp, Extra Tall Reach-In
with EcoVision Doors

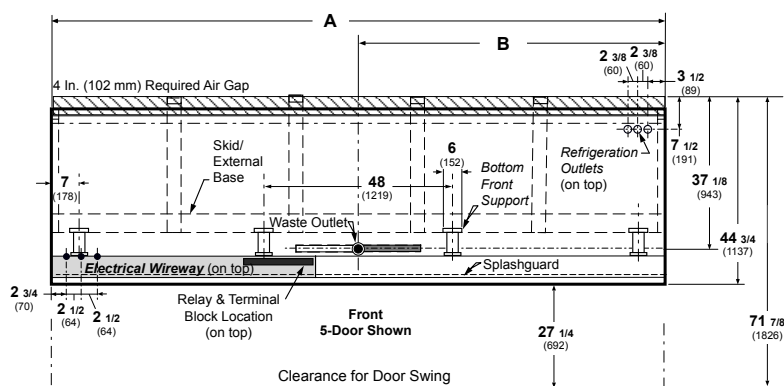
Husmann Medium Temp, Extra Tall Reach-In with EcoVision Doors

RMTD - Reach-In, Medium Temp, Extra Tall with EcoVision Doors

Available in 2, 3, 4, and 5 door configurations.



Plan View



Dimensions	2 DR	3 DR	4 DR	5 DR
A	62 (1575)	92 1/2 (2350)	122 7/8 (3121)	153 3/8 (3896)
B	23 7/8 (606)	54 1/4 (1378)	46 1/4 (1175)	76 5/8 (1946)

NOTE: Maximum outside dimension of case (back-to-front) includes bumper.

Note

Use Husmann's technical data sheets to get precise dimensions for all store layout purposes.

Features / Benefits

- The RMTD uses EcoVision Doors for excellent product visibility, easy product access, and good energy efficiency.
- Versatility for any medium temperature application.
- High volume merchandising with extra product facings.
- Can accommodate up to 26" shelves to maximize packout.
- Can be used as "destination zone" for meals to go, cross merchandised meal assembly, high margin seasonal displays, or any other medium temperature application.
- The case front on this extra tall reach-in was lowered to keep products within easy reach.
- EcoShine II LED Lighting is standard and is optimized for uniform brightness and low energy costs.
- EcoShine II Lighting concealed to eliminate glare.
- Excellent energy efficiency and refrigeration performance.
- Approx. 50% energy reduction versus current offering.

Options Include

- Various ends, up to 26" shelves, racks, lighting, paint, and bumper colors.
- Motion activated dimming or on/off control for case lights.
- 2, 3, 4, and 5 door models.

DOE 2017 Energy Efficiency Compliant Husmann refrigerated merchandisers configured for sale for use in the United States meet or surpass the requirements of the DOE 2017 energy efficiency standards.

NOTE: These merchandisers are designed for use in stores when temperature and humidity do not exceed 75°F and 55% R.H.

NOTE: We reserve the right to change or revise specifications and product design in connection with any feature of our products. Such changes do not entitle the buyer to corresponding changes, improvements, additions, or replacements for equipment previously sold or shipped.

For additional resources, contact your representative or visit www.husmann.com.



Husmann Corporation
12999 St. Charles Rock Rd.
Bridgeton, MO 63044-2483
Ph: 314.291.2000

www.husmann.com