



S6N, S6S

6-Display Levels, Narrow and Standard Depth
Multi-Deck Self-Service Merchandiser



ADVANTAGES

- Narrow Footprint for placement flexibility
- Food Quality for Type I and II conditions
- Merchandising for maximum product facings
- Retail Performance with reduced energy requirements



KEY POINTS

- Available in matching door version
- 6 Level version also available
- Level and angled shelves available



Dairy



Deli



Meal Kits



Prepared Foods



Produce



Meats



Bakery



Wine



Beverage



Floral



S6N, S6S

FEATURES

- 5 rows of 12" shelves one position
- Or 18" shelves one position
- One row of EcoShine LED canopy lighting
- Modular coil system 5 year warranty
- Multi-deck air curtain
- Black interior
- 3" black cart bumper
- Solar digital thermometer
- View Hussmann paint and finish options

OPTIONS

- 10" 3 angle position shelves
- 16" 3 angle position shelves
- EcoShine LED shelf lighting
- One row of EcoShine LED rail lighting
- View end with end bumper
- Mirror bright stainless steel on interior of end panels
- Powder-coated adjustable shelf with tag molding and product stop (150 lb max.)
- Powder-coated level heavy-duty shelves with tag molding (250 lb max.)
- Night shade
- White or stainless steel interior
- Liquid line hand valve
- Special exterior finishes
- Custom lengths and options* (consult your Hussmann sales representative)

RELATED DISPLAYS

- Self-Service Merchandiser: S5N and S5S
- Curved Self-Service Merchandiser: RGD and RGDC



Hussmann refrigerated merchandisers configured for sale for use in the United States meet or surpass the requirements of the DOE 2017 energy efficiency standards.

* Some optional features may need to be certified by UL, NSF, and/or other 3rd party certification agencies. Contact Hussmann for verification or questions for availability.

NOTE: These merchandisers are designed for use in stores when temperature and humidity do not exceed 75°F and 55% R.H.

We reserve the right to change or revise specifications and product design in connection with any feature of our products. Such changes do not entitle the buyer to corresponding changes, improvements, additions, or replacements for equipment previously sold or shipped.

For additional resources, contact your representative or visit www.hussmann.com.

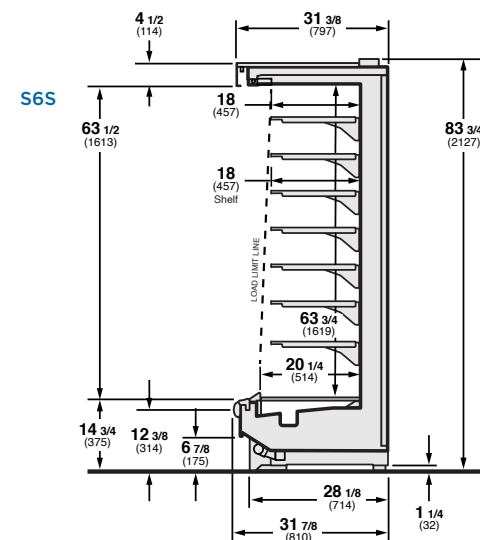
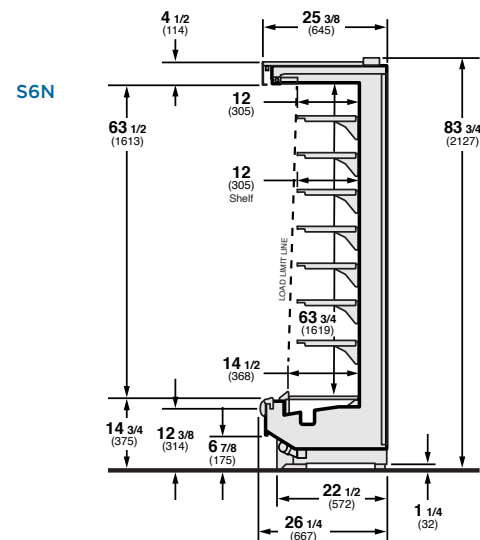
MORE PRODUCT INFORMATION



Scan or Click for:

- In-store photos
- Technical Info
- CAD files

S6N and S6S available in: 4', 6', 8' and 12' lengths.



HUSSMANN®

Hussmann Corporation
12999 St. Charles Rock Rd.
Bridgeton, MO 63044-2483
Ph: 800.592.2060

www.hussmann.com