

**HUSSMANN®**

---

Specialty



*Entyce Family*

**TY4-4**

4 Levels • 4' Width

Self-Service Shop Around Island Merchandiser  
Deli, Dairy, Sandwiches, Cheese, Grab-n-Go, Beverage, Produce

---

**Entyce** *Your Shoppers*

[www.husmann.com](http://www.husmann.com)

# Hussmann Self-Service Shop Around Island Merchandiser Deli, Dairy, Sandwiches, Cheese, Grab-n-Go, Beverage, Produce

## TY4-4



Exceptional merchandising with open, cascading product presentation.

**Entyce your Shopper**

Designed to guide your shopper around to see everything and inspire impulse buying.

### EcoShine II Plus LEDs (Standard)

- Saves 66% energy over T8s
- 85+ CRI for bringing out natural colors
- Diffused lighting eliminates pixilation and hot spots on product packaging



**New Adjustable Shelving System**  
Merchandising flexibility with vertical shelf height adjustments.

**More Pack-Out**  
High pack out in small footprint.

### Entyce Family

Flexible layouts to meet your store planning needs with multiple levels, widths, lengths, and styles

Entyce	PRODUCT LEVELS	FOOTPRINT	SHAPE
has a solution for you.			

**Product Temp Enhancement**  
Developed for more stringent ambient conditions - Balanced air distribution and advanced coil technology.



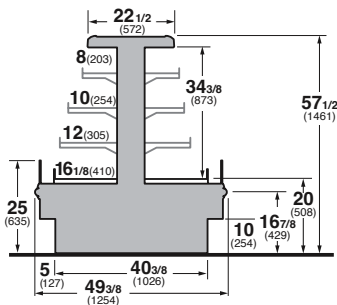
### Island Merchandisers

Remote - 6' (TY4-4X-6I-R), 8' (TY4-4X-8I-R), 10' (TY4-4X-10I-R), 12' (TY4-4X-12I-R)

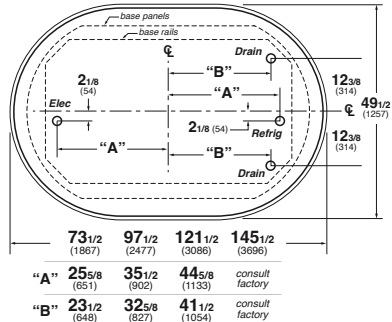
### Flat End Merchandisers

Remote - 4' (TY4-4X-4E-R), 6' (TY4-4X-6E-R), 8' (TY4-4X-6E-R), 10' (TY4-4X-10E-R)

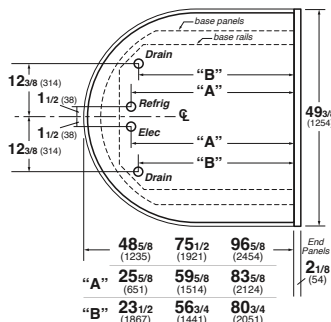
TY4-4 4' wide Merchandiser



TY-4 4' wide Island Merchandiser



TY-4 4' wide Flat End Merchandiser



### Features.

- painted exterior
- tempered radius glass perimeter
- LED EcoShine II canopy lighting
- black metal deck and back wall,
- 2" black vinyl cart bumper
- energy efficient fan motors.
- dual forced air refrigeration coils
- Hussmann colors
- DOE and ETL approved, and FDA compliant
- Please reference Color Chart for choice of standard Hussmann paint and finish options ([www.hussmann.com](http://www.hussmann.com))

### Options.

- optional base heights
- special stainless steel tube bumper
- 8", 10", 12" shelves
- black angled product display inserts
- LED shelf lighting
- solid surface top inlay
- stainless or white interior
- liquid line shut-off valve
- custom lengths and options\* (consult your Hussmann sales representative)

### Additional information.

Matching companion case lines: Entyce Family

- 1 level, 6' wide: TY1-6
- 3 levels, 4' wide: TY3-4
- 3 levels, 5' wide: TY3-5
- 3 levels, 6' wide: TY3-6
- 4 levels, 5' wide: TY4-5
- 4 levels, 6' wide: TY4-6

\* Some optional features may need to be certified by UL, NSF, and/or other 3rd party certification agencies. Contact Hussmann for verification or questions for availability.

NOTE: These merchandisers are designed for use in stores when temperature and humidity do not exceed 75°F / 55% RH for remote cases (Type I). We reserve the right to change or revise specifications and product design in connection with any feature of our products. Such changes do not entitle the buyer to corresponding changes, improvements, additions, or replacements for equipment previously sold or shipped.

For additional resources, contact your representative or visit [www.hussmann.com](http://www.hussmann.com).



**Note.**  
Use Hussmann's technical data sheets to get precise dimensions for all store layout purposes.

**HUSSMANN**

Hussmann Specialty  
13770 Ramona Avenue  
Chino, California 91710-5423  
Ph: 1-800.395.9229

[www.hussmann.com](http://www.hussmann.com)