

HUSSMANN[®]

Specialty



Entyce Family

TY-H

2 Levels • 4' Width

Hot Multi-Deck Self-Service Merchandiser
for Hot Food Applications

Entyce *Your Shoppers*

www.hussmann.com

Hot Multi-Deck Self-Service Merchandiser for Hot Food Applications

TY-H



Improved Product Temperatures

Hard coat aluminum surface warmer assures even product temperature. Drop and plug-in heated surface warmers.



Cross Selling

Increase sales by cross selling with Entyce hot and refrigerated solutions.

Reduce Installation Costs
and improve fit and finish quality with integrated design.

Customer Operation Made Easy

Integrated start-up and use instructions. Set point guidance based on container and product types.



Increased Product Shelf Life

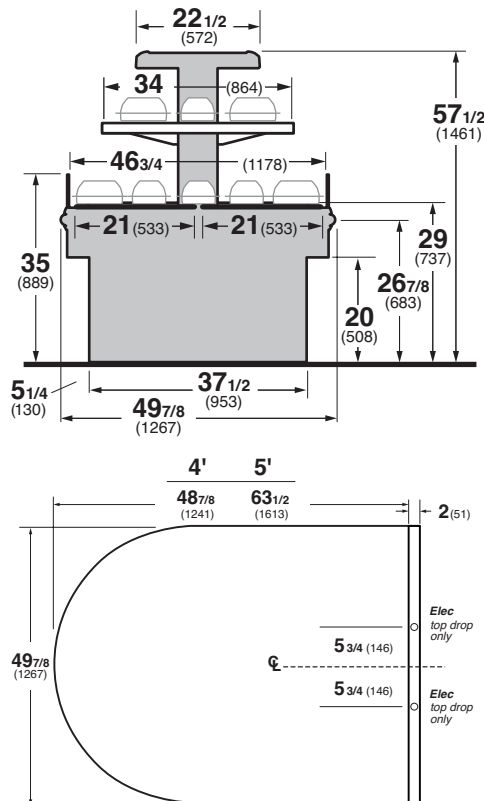
Separate digital thermostat controllers for each shelf to set the temperature based on products and containers merchandised.

Lengths

4': 2 levels, 4' wide (TY3-4x4E-H)

5': 2 levels, 4' wide (TY3-4x5E-H)

TY3-4-H Self-Service Hot End



Features.

- Black hard coat aluminum surface warmers
- Adjustable shelves with plug-in surface warmers
- Separate digital thermostat controllers for each shelf
- Two heated levels
- Lighted canopy and shelves
- Stainless steel interior
- 2" vinyl cart bumper
- 208v or 240v
- Please reference color chart for choice of standard Hussmann paint and finish options (www.hussmann.com)

Options.

- 1" solid end panels with brushed stainless steel interior
- 2" common end panel with brushed stainless steel interior (between hot and cold cases)
- Locking control panel
- Painted, stainless steel
- Special interior and exterior finishes* (consult your Hussmann sales representative)

Additional Information.

- Entyce Refrigerated Self-Service: TY3-4-R

* Some optional features may need to be certified by UL, NSF, and/or other 3rd party certification agencies. Contact Hussmann for verification or questions for availability.

NOTE: These merchandisers are designed for use in stores when temperature and humidity do not exceed 75°F and 55% R.H. We reserve the right to change or revise specifications and product design in connection with any feature of our products. Such changes do not entitle the buyer to corresponding changes, improvements, additions, or replacements for equipment previously sold or shipped.

For additional resources, contact your representative or visit www.hussmann.com.



Note.

Use Hussmann's technical data sheets to get precise dimensions for all store layout purposes.

Intertek

Intertek

HUSSMANN®

Hussmann Specialty
13770 Ramona Avenue
Chino, California 91710-5423
Ph: 800.395.9229

www.hussmann.com