



Transcritical CO₂ Rack System



ADVANTAGES

- A regulation-proof single gas natural refrigerant solution (GWP=1)
- All copper piping facilitating field repairs without welding
- Innovative cold weather feature to aid in cold weather operation
- Flexible design for maximum capacity with removable exterior for indoor use
- Flash tank liquid level probe for precise measurement
- Liquid sub-cooling standard on all split suction models
- Back-up condensing unit or split power feed for power outage protection
- Iron-copper headers with pulled collars for superior brazing surface
- Redundant high pressure and flash gas bypass valves (optional)
- Integrated UPS for controller operation and system protection (optional)



KEY POINTS

- Ideal for new construction (reduces complexity & cost)
- Iron-copper alloy piping
- 4 to 9 semi-hermetic compressors
- 208, 460, & 575 voltage options (with gas cooler feed from rack)
- Integrated flash tank heat exchanger for back-up condensing unit



Transcritical CO₂ Rack System

SERVICEABILITY

- Lift-off removable exterior provides full access to components, electrical, and piping
- Serviceable components for maintenance are placed in easy-to-access areas with access ports and bypass valves

SUSTAINABILITY

- High efficiency variable speed compressors improve efficiency
- Minimal environmental footprint with CO₂ ZERO Ozone Depletion and Global Warming Potential of 1

CAPABILITIES

- Medium Temperature only and split suction with low and medium temperature
- Outdoor enclosure rated for use in various conditions
- Air-cooled or adiabatic gas cooler options available

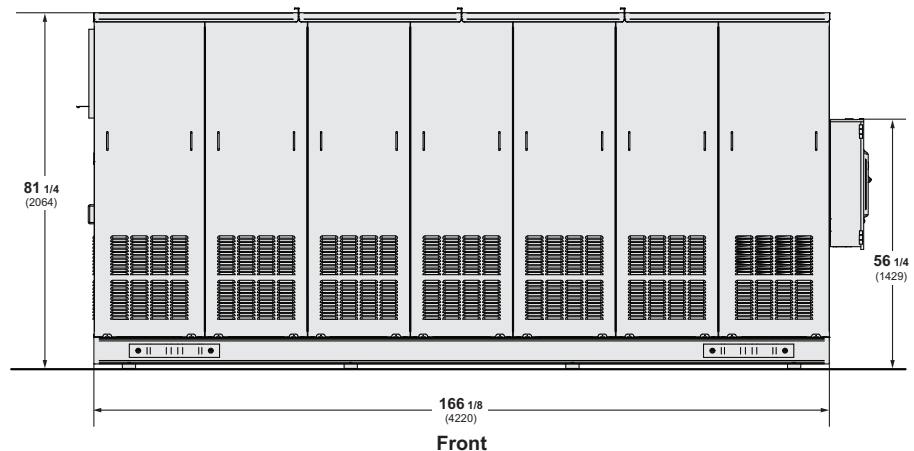
SPECIFICATIONS

Specifications	Details
Access	Front and Rear
Compressors	Low Temp 2-4 / Medium Temp 3-5
Controls	E2 and iPro High-Pressure Control
Convenience Outlet	120V Internal
Defrost Type	Off-time / Electric
Lighting (in rack/panel)	Included
Ventilation	Enclosure Fan
Voltage for Gas Cooler	208, 460, & 575V
Voltage for Rack/Control	208, 460, & 575V / 460V & 120V

Note

Use Hussmann's installation manual for additional information.

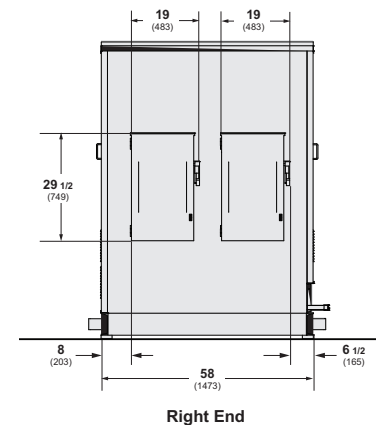
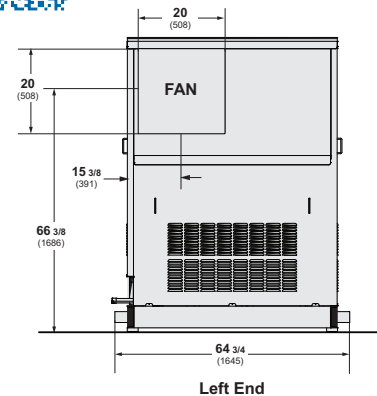
Dimension are in Inches (millimeters)



TECHNICAL INFORMATION



Scan the QR code with your mobile device to access additional resources on hussmann.com



We reserve the right to change or revise specifications and product design in connection with any feature of our products. Such changes do not entitle the buyer to corresponding changes, improvements, additions, or replacements for equipment previously sold or shipped. For additional resources, contact your representative or visit www.hussmann.com.

HUSSMANN®

Hussmann Corporation
12999 St. Charles Rock Rd.
Bridgeton, MO 63044-2483
Ph: 800.592.2060

www.hussmann.com