

# HUSSMANN®

## ISMGG2DAA

### SELF-CONTAINED MERCHANDISER

# EVOLVE®

R-290



# ISMGG2DAA



## SELF-SERVICE SELF-CONTAINED TWO-TIERED MERCHANDISER



### ADVANTAGES

#### Advanced Design

- Visually appealing two-tiered refrigerated case
- Designed to maintain product temperature below 41°F
- Low maintenance and energy efficient



### KEY FEATURES

#### Low GWP All-Natural Refrigerant

R-290 refrigerant meets all regulatory requirements and complies with the AIM Act

- Black interior with wood exterior to match store décor
- Telescoping wire shelves



*ISMGG2DAA shown with Maple wood finish option included in the core item.*



1.800.592.2060

www.hussmann.com

# ISMGG2DAA Self-Service Self-Contained Two Tiered Display

## STANDARD

- COLOR EXTERIOR WOOD
- COLOR INTERIOR BLACK
- SHELVES 2 TELESCOPING
- LED LIGHTING NONE
- CASTERS YES
- POWER CORD 208/230V, NEMA 6-20P
- HARDWIRED NO
- NSF TYPE I
- INSULATION HFC245
- THERMOMETER DIGITAL

## WOOD STAIN OPTIONS

- ZANZIBAR
- RUSTICO
- SHAKER CHERRY
- HICKORY CLEAR COAT
- SELECT CHERRY
- TOPAZ
- FRUIT ALABASTER

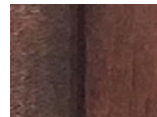
Zanzibar



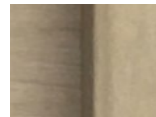
Shaker Cherry



Select Cherry



Fruit Alabaster



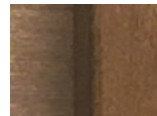
Rustico



Hickory Clear Coat



Topaz

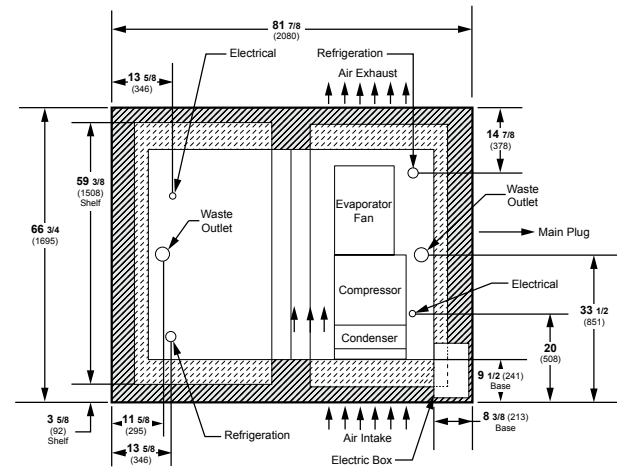
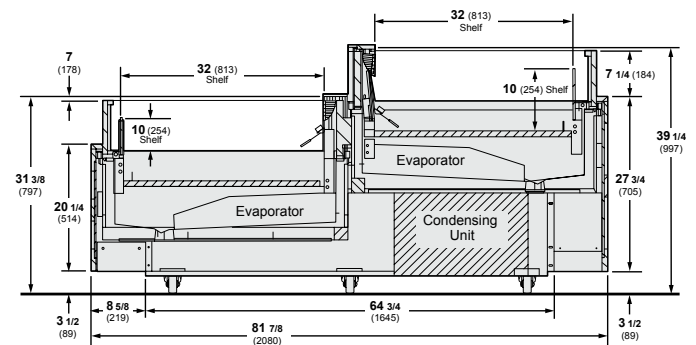


## TECHNICAL INFORMATION



Scan or click QR to access additional resources at [hussmann.com](http://hussmann.com)

## DIMENSIONS



Model	L	D	H	Norm. HP	Ref.	Hz/Ph	Volts	Circuit Amps	Fuse Amps	NEMA Plug	Refrig. Load	A/C Load	(Approx.) Shipping Weight
ISMGG2DAA	81-7/8" (2088)	66-3/4" (1695)	39-1/4" (997)	1-3/4	R-290	60/1	208	14.5 A	20 A	6-20P	4000 BTU/h	5600 BTU/h	1168 lbs.



NOTE: These merchandisers are designed for use in stores when temperature and humidity do not exceed 75° F (23.9° C) and 55% R.H.

We reserve the right to change or revise specifications and product design in connection with any feature of our products. Such changes do not entitle the buyer to corresponding changes, improvements, additions, or replacements for equipment previously sold or shipped.

Use Hussmann's technical data sheets to get dimensions for all store layout purposes.

For additional resources, contact your representative or visit [www.hussmann.com](http://www.hussmann.com).



# HUSSMANN®

Hussmann Corporation  
12999 St. Charles Rock Rd.  
Bridgeton, MO 63044-2483  
Ph: 1.800.592.2060

[www.hussmann.com](http://www.hussmann.com)