

# HUSSMANN®

## VRL-B1A

### SELF-CONTAINED MERCHANDISER

# EVOLVE®

R-290



# VRL-B1A

## SELF-CONTAINED LOW TEMP REACH-IN MERCHANDISER



### ADVANTAGES

- Environmentally-friendly R-290 natural refrigerant that has a low Global Warming Potential (GWP) of 3
- Self-contained, air-cooled, plug-and-play design with refrigeration system capable of maintaining -10° F (-23° C) temperature is ideal for both new construction and remodels
- Customizable lighted display at top of case
- Controller communication option allows complete system to be centrally controlled



### KEY FEATURES

- Low temperature application—great for frozen foods like pizza, ice cream, frozen dinners, and meal kits
- Self-closing doors with positive seal
- Evaporator and condenser fan motors produces less heat, reducing energy consumption and providing greater reliability
- Bottom mount condensing unit is easy to service and reduces noise output



VRL3B1A



1.800.592.2060



www.hussmann.com

# VRL-B1A Self-Contained Low Temp Reach-In Merchandiser

## SPECIFICATIONS

Model	VRL1B1A, VRL2B1A	VRL3B1A
Defrost	hot gas	
Number of Display Levels	5 (4 shelf levels and base)	
Power Connection	NEMA 5-15P	NEMA 5-20P
Refrigerant	R-290 (propane)	
Supply Power	120 VAC / 1-phase / 60 Hz	

Model	Approx. Weight
VRL1B1A	362 lb (164 kg)
VRL2B1A	631 lb (286 kg)
VRL3B1A	877 lb (398 kg)

## AVAILABLE OPTIONS

- Exterior and interior color
- Baskets, peg bar, and hooks
- Adjustable leveling legs
- Additional display shelves
- Price tag moulding
- Door locks
- Shelf product stops
- Customizable sign kit
- Door swing direction
- LED color temperature

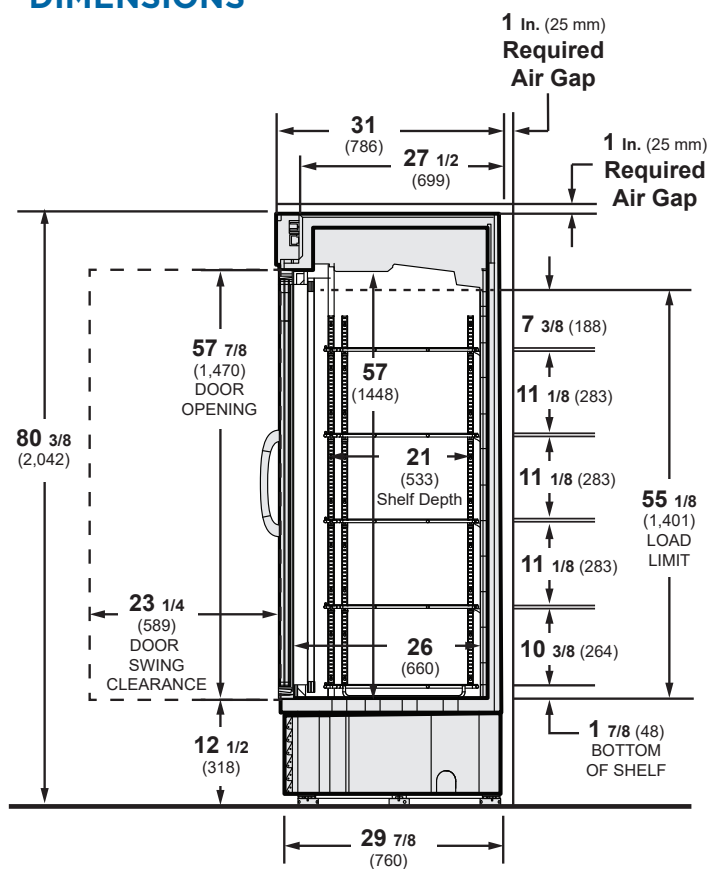
## TECHNICAL INFORMATION



Scan or click QR to access additional resources at [Hussmann.com](http://Hussmann.com)

Available with 1, 2, and 3-door configurations.

## DIMENSIONS



Model	VRL1B1A (1-door)	VRL2B1A (2-door)	VRL3B1A (3-door)
Length	29 5/8 (752)	54 (1,372)	78 1/4 (1,988)

NOTE: Dimensions are in Inches (millimeters)

NOTE: Use Hussmann's technical data sheets to get dimensions for all store layout purposes.

NOTE: These merchandisers are designed for use in stores when temperature and humidity do not exceed 80° F (26.7° C) and 55% R.H.

We reserve the right to change or revise specifications and product design in connection with any feature of our products. Such changes do not entitle the buyer to corresponding changes, improvements, additions, or replacements for equipment previously sold or shipped. For additional resources, contact your representative or visit [www.hussmann.com](http://www.hussmann.com).

©2025 Hussmann Corporation

# HUSSMANN®

Hussmann Corporation  
12999 St. Charles Rock Rd.  
Bridgeton, MO 63044-2483  
Ph: 1.800.592.2060

[www.hussmann.com](http://www.hussmann.com)

PS\_VRL-B1A\_0000412\_E\_EN