

Item	Part #	Description	Wiring Item #	Item	Part #	Description	Wiring Item #
FAN ASSEMBLIES AND THERMOSTATS				LAMPS AND BALLASTS			
A.	<u>9W Fan Assembly</u>		(1)	D.	0428648	Ballast, Electronic 2 lamps	(4)
	0047000	Fan Motor, Evaporator		D.	0428649	Ballast, Electronic 3 lamps	(4)
	0315470	Fan Blade embossing toward motor		E.		Fluorescent Lamp <i>Replace with like fixtures</i>	(5)
B.	0411744	Standard Non-adjustable Defrost Thermostat	(2)				
C.	0137880	Optional Adjustable Refrigeration Thermostat	(3)				

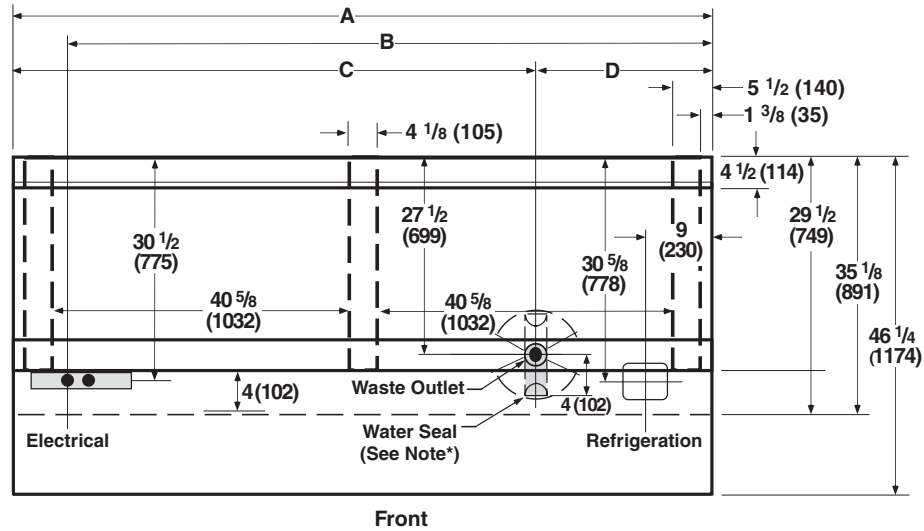
Note: Changed items have been underlined.




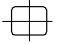
Engineering Plan View

Dimensions shown as inches and (mm).

Meat and Produce

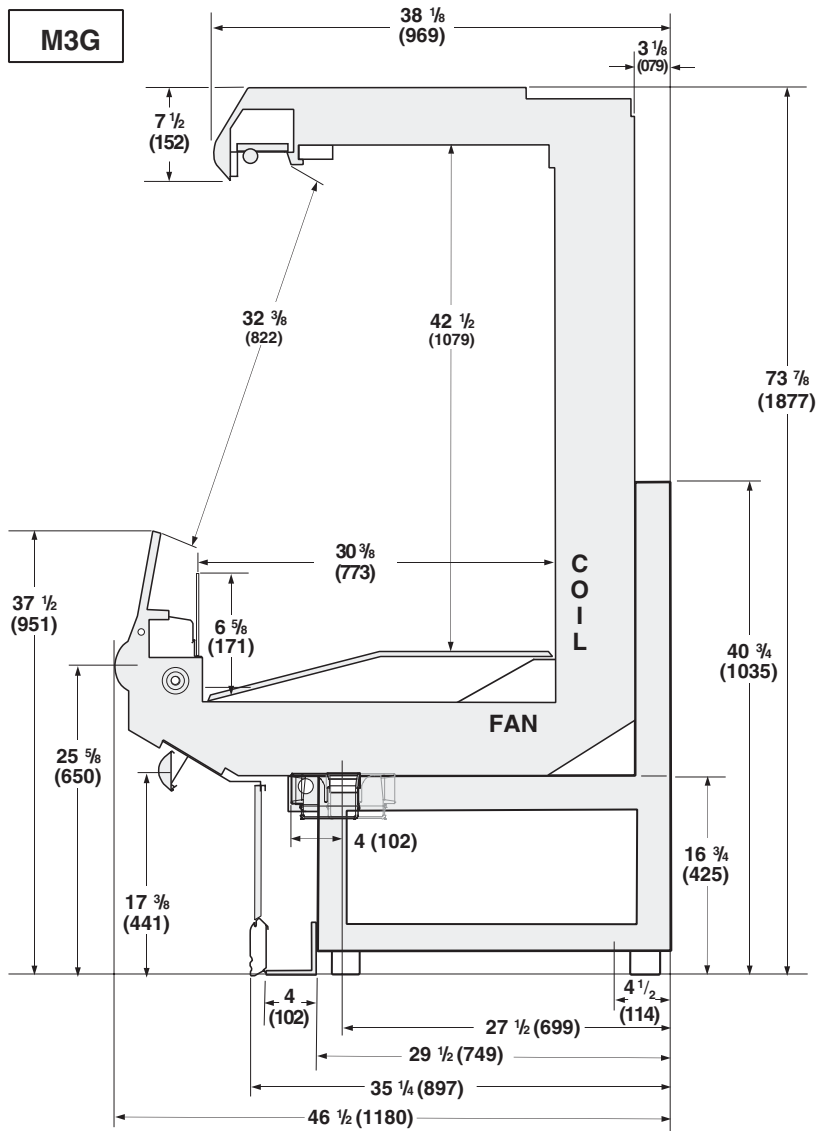
09-2003



	8 ft	12 ft
General		
(A) Case Length (<i>without ends or partitions</i>)	96 3/8 (2448)	144 1/2 (3670)
Maximum outside dimension of case back to front (<i>includes bumper</i>)	46 1/4 (1174)	46 1/4 (1174)
Back of case to front of splash guard	35 1/4 (897)	35 1/4 (897)
Back of case to outside edge of front skid rail	29 1/2 (747)	29 1/2 (747)
Width of skid rail	4 1/2 (114)	4 1/2 (114)
Right hand end of case to inside edge of external support	5 1/2 (140)	5 1/2 (140)
Distance between edges of external support and center support	40 5/8 (1032)	40 5/8 (1032)
Distance between edges of center supports	NA	44 (1118)
Stub-up area between front skid rail and splash guard	4 (102)	4 (102)
Electrical Service  (<i>Electrical Field Wiring connection point</i>)		
(B) Right hand end of case to center of farthest knockout	88 3/8 (2245)	136 1/2 (3467)
Back outside of case to center of knockout	30 1/2 (775)	30 1/2 (775)
Length of electrical raceway	34 1/2 (778)	34 1/2 (778)
Waste Outlet 		
(C) Left hand end of case to the center of waste outlet	72 1/4 (1835)	72 1/4 (1835)
(D) Right hand end of case to the center of waste outlet	24 1/8 (613)	72 1/4 (1835)
Back outside of case to center of waste outlet	27 1/2 (699)	27 1/2 (699)
Water Seal 		
Edge of water seal to center of waste outlet	4 (102)	4 (102)
Outside diameter of the drip pipe	1 1/2 (38)	1 1/2 (38)
*Note: Water seal outlet must clear front skid rail.		
Refrigeration Outlet 		
Back of case to center of refrigeration outlet	30 5/8 (778)	30 5/8 (778)
Right-hand end of case to center of refrigeration outlet	9 (230)	9 (230)

Impact M3G
Meat, Delicatessen
Pre-cut and Packaged Produce

Dimensions shown as inches and (mm).



REFRIGERATION DATA

Note: This data is based on store temperature and humidity that does not exceed 75°F and 55% R.H.

	M3G	M3GE
Discharge Air (°F)	27	28
Evaporator (°F)	18	21
Unit Sizing (°F)	16	19
Btu/hr/ft*		
Parallel	985	935
Conventional	1060	1020

*For all refrigeration equipment other than Hussmann, use conventional Btu values.

DEFROST DATA

	M3G	M3GE
Frequency (hr)	6	8
Defrost Water (lb/ft/day)	7	7
<i>(± 15% based on case configuration and product loading).</i>		
OFFTIME		
Temp Term (°F)	48°F	48°F
Failsafe (minutes)	30	35

ELECTRIC OR GAS Not Recommended

Standard Defrost Thermostat

Close on rise: close 48°F — open 33°F

CONVENTIONAL CONTROLS

Low Pressure Backup Control

	M3G	M3GE
CI/CO**	12°F / 2°F	14°F / 4°F

Indoor Unit Only, Pressure Defrost

Termination** 48°F

**Use a Temperature Pressure Chart to determine PSIG conversions.

PHYSICAL DATA

Merchandiser Drip Pipe (in.)	1 1/2
Merchandiser Liquid Line (in.)	3/8
Merchandiser Suction Line (in.)	7/8

Estimated Charge (lb)***	M3G	M3GE
8 ft	2.3	2.7
12 ft	3.3	3.9

***This is an average for all refrigerant types. Actual refrigerant charge may vary by approximately half a pound.

Length (in.) added to Lineup by Each End or Insulated Partition	1 1/2
--	-------

NSF Certification

These merchandisers are manufactured to meet ANSI /National Sanitation Foundation (NSF®) Standard #7 requirements.

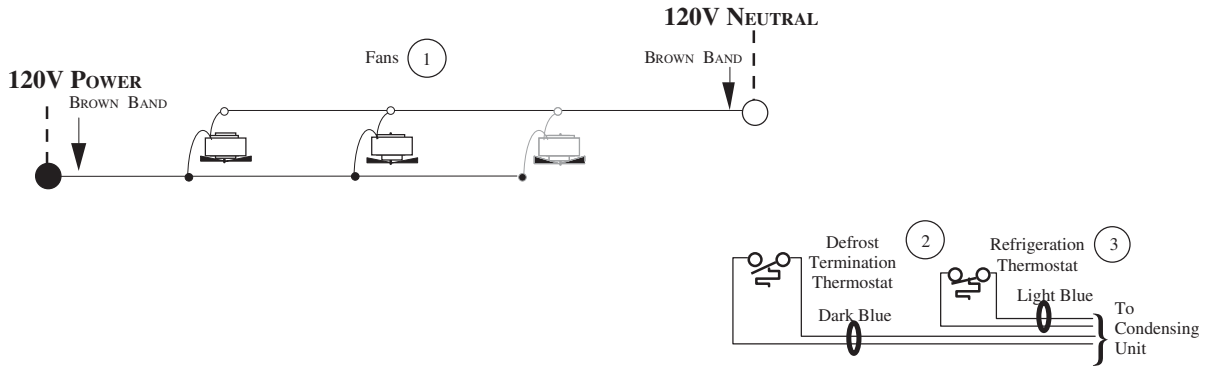
Impact M3G Meat and Delicatessen Precut and Packaged Produce

Electrical Data

	8 ft	12 ft		
Number of Fans – 9W	2	3		
	Amperes		Watts	
Merchandiser	8 ft	12 ft	8 ft	12 ft
Fans (Refrigeration)				
Standard (120V 60Hz)	<u>1.40</u>	<u>2.10</u>	<u>105</u>	<u>160</u>
Energy Efficient (120V 60Hz)	<u>0.76</u>	<u>1.14</u>	<u>50</u>	<u>75</u>
Export (230V 50Hz)	<u>0.76</u>	<u>1.14</u>	<u>114</u>	<u>171</u>
Cycling Anti-sweat Heaters	NA	NA	NA	NA
Minimum Circuit Ampacity				
With Standard Fans (120V 60Hz)	<u>1.60</u>	<u>2.30</u>		
With Energy Efficient Fans (120V 60Hz)	<u>0.96</u>	<u>1.34</u>		
With Export Fans (230V 50Hz)	<u>0.96</u>	<u>1.34</u>		
Maximum Over Current Protection 120V	20	20		
Maximum Over Current Protection 230V	15	15		
Standard Lighting	8 ft	12 ft	8 ft	12 ft
1 Row Canopy	0.51	0.77	59	85
Optional Lighting				
1 Row Canopy and 1 Row Rail	1.02	1.54	118	170
2 Row Canopy	1.02	1.54	118	170
2 Row Canopy and 1 Row Rail	1.53	2.31	177	255
Optional Shelf Lighting				
1 Row of Shelves	0.51	0.77	59	85
2 Rows of Shelves	1.02	1.54	118	170

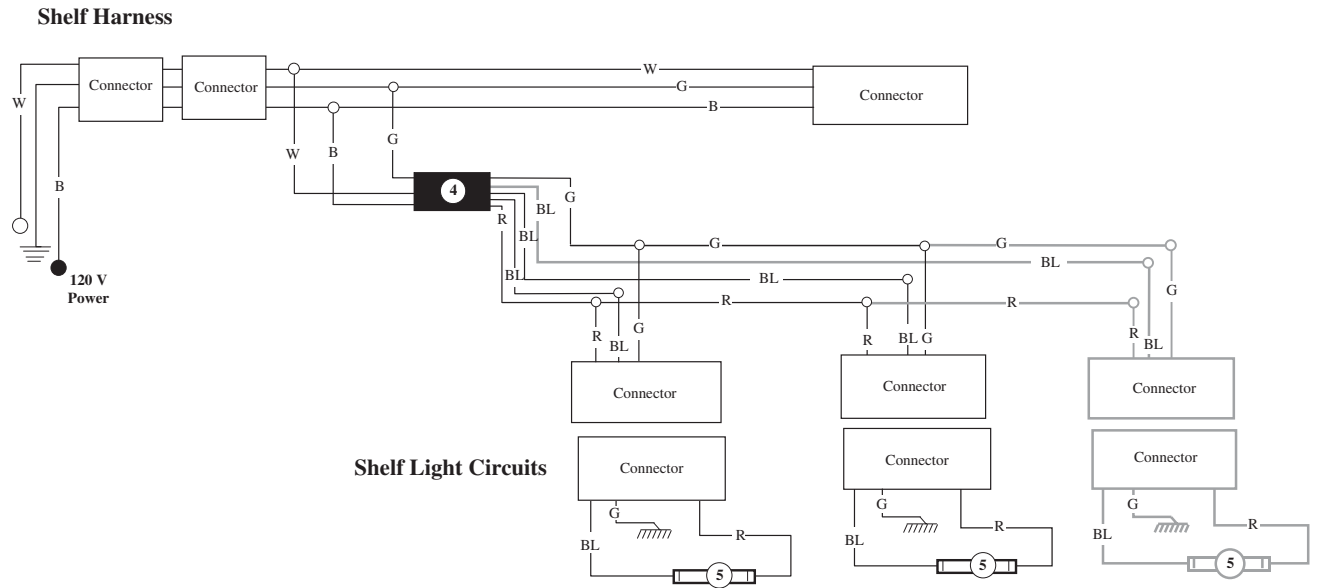
Fan Wiring Offtime Defrost

2 & 3 Fans



Optional Shelf Harness and Light Circuits for One Row of Shelves

Shelf Lighting



WARNING

All components must have mechanical ground, and the merchandiser must be grounded.

CIRCLED NUMBERS = PARTS LIST ITEM NUMBERS

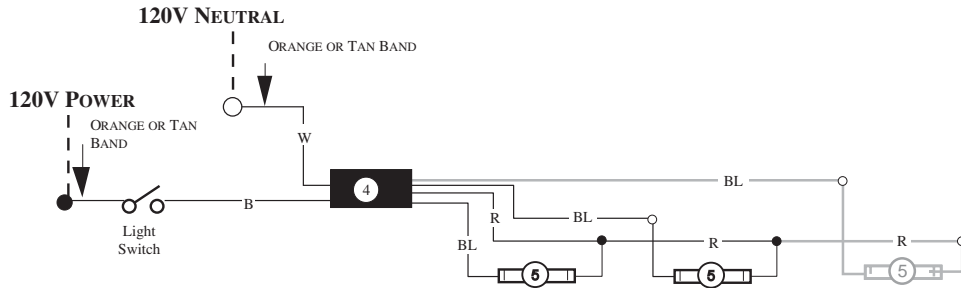
Grayed components in 12 foot models only.

R = Red Y = Yellow G = Green BL = Blue B = Black W = White

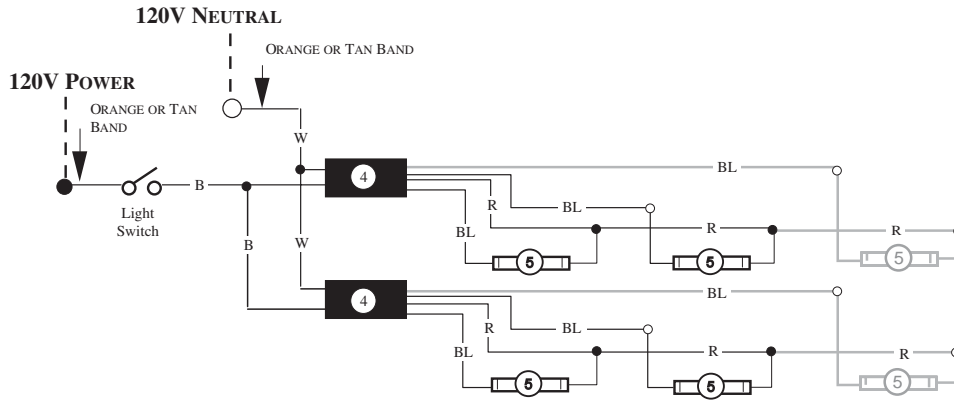
● = 120V POWER ○ = 120V NEUTRAL ≡ = Field GROUND ≡ = Case GROUND

Light Circuits

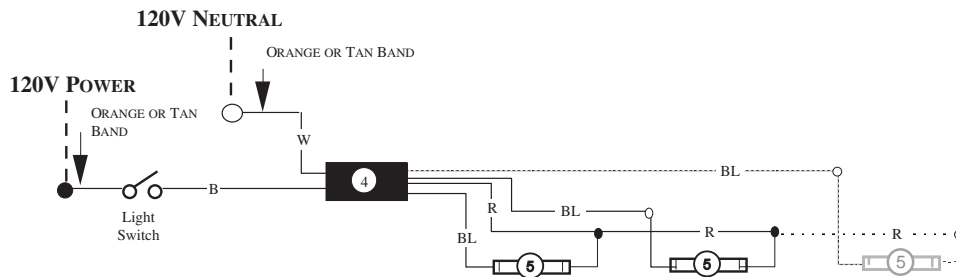
Lighting 1 Row Canopy (Standard on Multideck)



Optional Lighting 2 Row Canopy



Optional Lighting 1 Row Rail



WARNING

All components must have mechanical ground, and the merchandiser must be grounded.

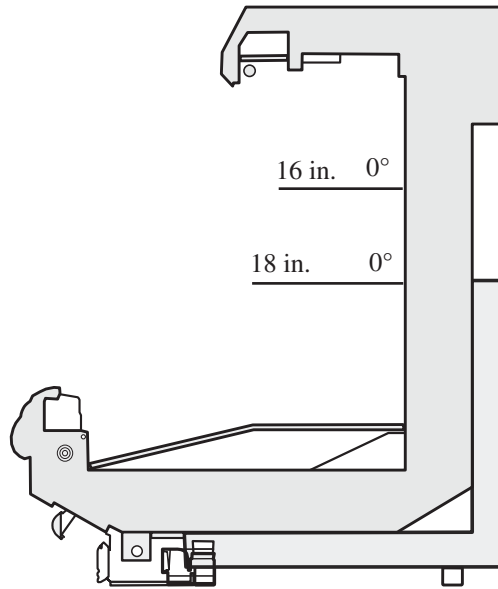
CIRCLED NUMBERS = PARTS LIST ITEM NUMBERS

Grayed components in 12 foot models only.

R = Red Y = Yellow G = Green BL = Blue B = Black W = White

● = 120V POWER ○ = 120V NEUTRAL

The shelf configuration of this merchandiser is critical!



2-Shelf Configuration for M3 & M3E

Top shelf must be 16 inches wide and placed at a 0° angle.

Second shelf may be either 16 or 18 inches wide and it must be positioned at a 0° angle.

These shelf positions apply to all product applications.