

Item	Part #	Description	Wiring Item #	Item	Part #	Description	Wiring Item #
FAN ASSEMBLIES AND THERMOSTATS				LAMPS AND BALLASTS			
A.	9W Fan Assembly		(1)	D.	Ballast, Electronic		(4)
	0047000	Fan Motor, Evaporator (MO.4410103)			0428648	2 lamps (BA.4480823)	(4)
	0315470	Fan Blade (FB.0315470) embossing toward motor			0428649	3 lamps (BA.0428649)	(4)
B.	0411744	Standard Non-adjustable Defrost Thermostat (CT.0411744)	(2)	E.		Fluorescent Lamp	(5)
C.	0137880	Optional Adjustable Refrigeration Thermostat (CT.4481084)	(3)			<i>Replace with like fixtures</i>	

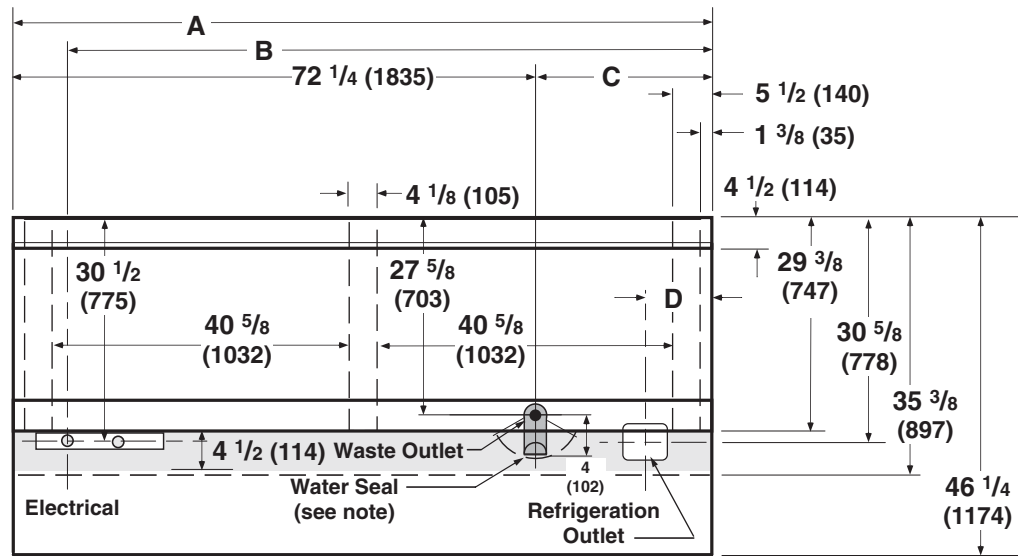
Note: Revision D adds the 10-ft model and After Market numbers.

Engineering Plan Views





Dimensions shown as inches and (mm).

Meat & Delicatessen

09-2003

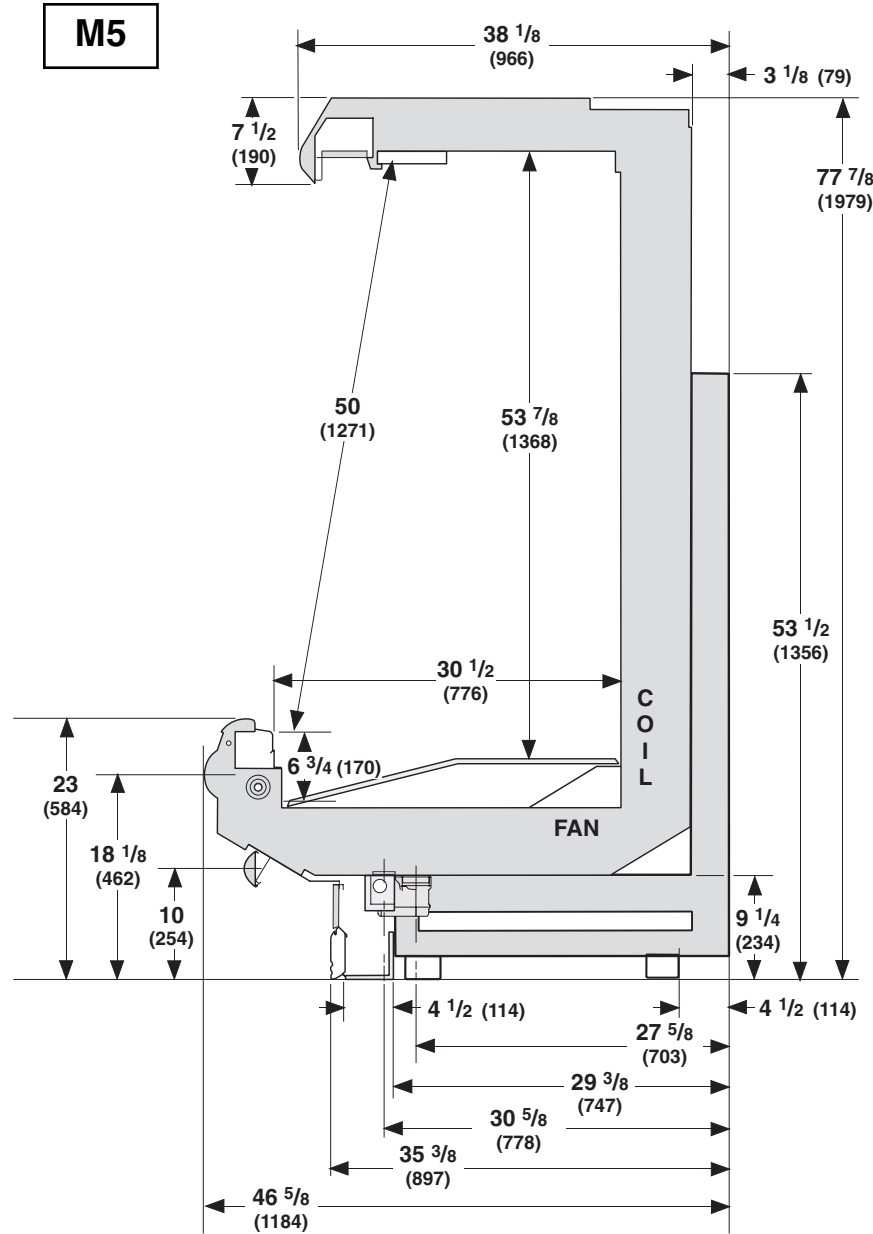


FRONT

	8 ft	10 ft	12 ft
General			
(A) Case Length <i>(without ends or partitions)</i> <i>(Each end and insulated partition adds 1 1/2 in. (38 mm) to case line up.)</i>	96 3/8 (2448)	120 1/2 (3061)	144 1/2 (3670)
Maximum O/S dimension of case back to front <i>(includes bumper)</i>	46 5/8 (1184)	46 5/8 (1184)	46 5/8 (1184)
Back of case to front of splashguard	35 3/8 (897)	35 3/8 (897)	35 3/8 (897)
Back of case to O/S edge of front skid rail	29 3/8 (747)	29 3/8 (747)	29 3/8 (747)
Width of skid rail	4 1/2 (114)	4 1/2 (114)	4 1/2 (114)
RH End of case to inside edge of external support	5 1/2 (140)	5 1/2 (140)	5 1/2 (140)
Distance between edges of external support and center support	40 5/8 (1032)	40 5/8 (1032)	40 5/8 (1032)
Distance between edges of center support	NA	NA	44 (1118)
Stub-up area between front skid rail and splashguard	4 1/2 (114)	4 1/2 (114)	4 1/2 (114)
Electrical Service  <i>(Electrical Field Wiring connection point)</i>			
(B) RH End of case to center of farthest knockout	88 3/8 (2245)	112 1/2 (2858)	136 1/2 (3467)
Back of case to center of knockout	30 1/2 (775)	30 1/2 (775)	30 1/2 (775)
Length of electrical raceway	31 5/8 (803)	31 5/8 (803)	31 5/8 (803)
Waste Outlets <i>(One each end)</i> 			
(C) RH End of case to the center of waste outlet	24 1/8 (613)	72 1/2 (1842)	72 1/4 (1835)
LH End of case to the center of waste outlet	72 1/4 (1835)	72 1/4 (1835)	72 1/4 (1835)
Back O/S of case to center of waste outlets	27 5/8 (703)	27 5/8 (703)	27 5/8 (703)
Water Seal 			
Edge of water seal to center of waste outlet	4 (102)	4 (102)	4 (102)
Outside diameter of the drip pipe	1 1/2 (38)	1 1/2 (38)	1 1/2 (38)
<i>NOTE: Water seal outlet must clear front skid rail; water seal rotation in forward direction only due to low base.</i>			
Refrigeration Outlet 			
Back of case to center of refrigeration outlet	30 5/8 (778)	30 5/8 (778)	30 5/8 (778)
(D) RH End of case to center of refrigeration outlet	9 (230)	9 (230)	9 (230)

Impact M5
Meat & Delicatessen

Dimensions shown as inches and (mm).



REFRIGERATION DATA

Note: This data is based on store temperature and humidity that does not exceed 75°F and 55% R.H.

	M5	M5E
Discharge Air °F	28	29
Evaporator °F	18	21
Unit Sizing °F	16	19
<i>Btu/hr/ft</i>	M5	M5E
Parallel	1525	1465
Conventional	1640	1575

DEFROST DATA

Frequency Hrs	6	6
Defrost Water (lb/ft/day)	9	
(± 15% based on case configuration and product loading).		

	M5	M5E
OFFTIME	M5	M5E
Temp Term °F	48	48
Failsafe Minutes	30	30

ELECTRIC OR GAS Not Recommended

Standard Defrost Thermostat

Close on rise: close 48°F — open 33°F

CONVENTIONAL CONTROLS

Low Pressure Backup Control

CI/CO*	M5	M5E
	11°F / 2°F	14°F / 4°F

Indoor Unit Only, Pressure Defrost

Termination* 48°F

*Use a Temperature Pressure Chart to determine PSIG conversions.

PHYSICAL DATA

Merchandiser Drip Pipe (in.)	1 1/2
Merchandiser Liquid Line (in.)	3/8
Merchandiser Suction Line (in.)	7/8

Estimated Charge (lb)**

	M5	M5E
8 ft	2.7	3.2
12 ft	3.9	4.5

**This is an average for all refrigerant types. Actual refrigerant charge may vary by approximately half a pound.

Length Added to Lineup by Each

End or Insulated Partition (in.) 1 1/2

NSF Certification

These merchandisers are manufactured to meet ANSI /National Sanitation Foundation (NSF®) Standard #7 requirements.

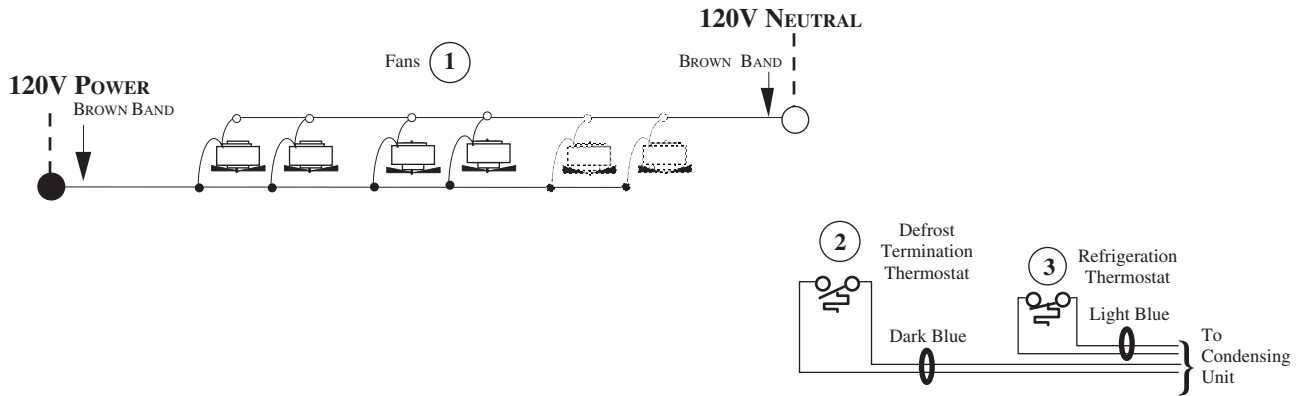
Impact M5 Meat & Delicatessen
--

Electrical Data

Number of Fans	8 ft	10 ft	12 ft				
Refrigeration – 9W	4	6	6				
Export – 9W	4	6	6				
		Amperes				Watts	
Merchandiser	8 ft	10 ft	12 ft	8 ft	10 ft	12 ft	
Fans (Refrigeration)							
120V 60Hz Standard	2.80	4.20	4.20	210	320	320	
120V 60Hz Energy Efficient	1.52	2.28	2.28	100	150	150	
230V 50Hz Export	1.52	2.28	2.28	228	352	352	
Constant On Anti-sweat Heaters	NA	NA	NA	NA	NA	NA	
Cycling Anti-sweat Heaters	NA	NA	NA	NA	NA	NA	
Minimum Circuit Ampacity							
120V 60Hz Standard	3.00	4.40	4.40				
120V 60Hz Energy Efficient	1.72	2.48	2.48				
230V 50Hz Export	1.75	2.48	2.48				
Maximum Over Current Protection 120V	20	20	20				
Maximum Over Current Protection 230V	15	15	15				
208V Electric Defrost Heaters	NA	NA	NA	NA	NA	NA	
208V Gas Defrost Heaters	NA	NA	NA	NA	NA	NA	
Standard Lighting	8 ft	10 ft	12 ft	8 ft	10 ft	12 ft	
1 Row Canopy	0.51	0.77	0.77	59	85	85	
Optional Lighting							
1 Row Canopy and 1 Row Rail	1.02	1.54	1.54	118	170	170	
2 Row Canopy	1.02	1.54	1.54	118	170	170	
2 Row Canopy and 1 Row Rail	1.53	2.31	2.31	177	255	255	
3 Row Canopy	1.53	2.31	2.31	177	255	255	
3 Row Canopy and 1 Row Rail	2.04	3.08	3.08	236	340	340	
Optional Shelf Lighting							
1 Row of Shelves	0.51	0.77	0.77	59	85	85	
2 Rows of Shelves	1.02	1.54	1.54	118	170	170	
3 Rows of Shelves	1.53	2.31	2.31	177	255	255	
4 Rows of Shelves	2.04	3.08	3.08	236	340	340	

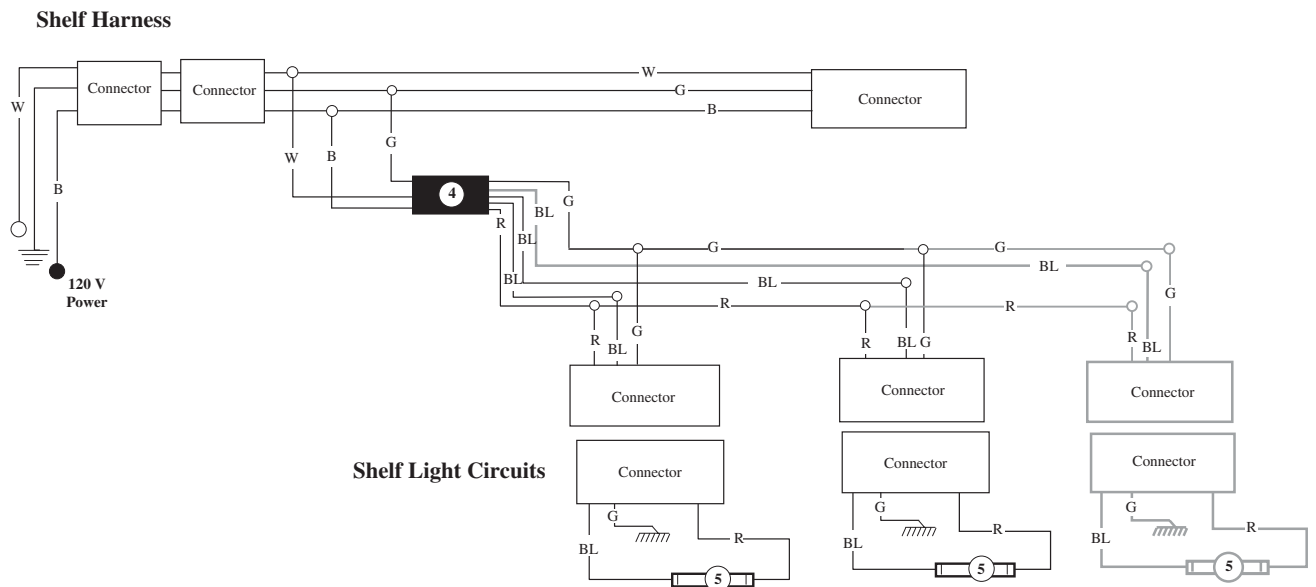
Fan Wiring Offtime Defrost

4 & 6 Fans



Optional Shelf Harness and Light Circuits for One Row of Shelves

Shelf Lighting



WARNING

All components must have mechanical ground, and the merchandiser must be grounded.

CIRCLED NUMBERS = PARTS LIST ITEM NUMBERS

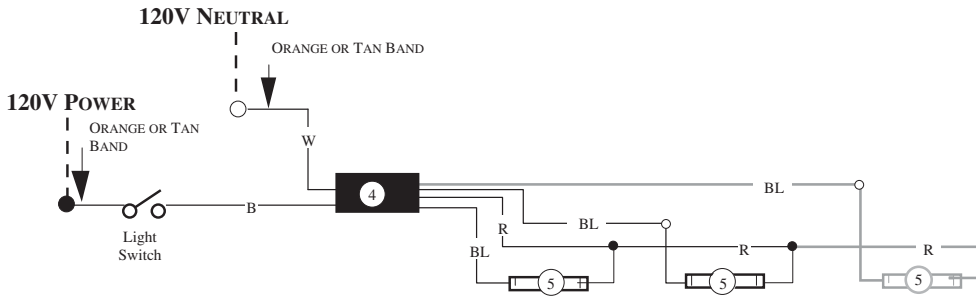
Grayed components in 10 foot and 12 foot models only.

R = Red Y = Yellow G = Green BL = Blue B = Black W = White

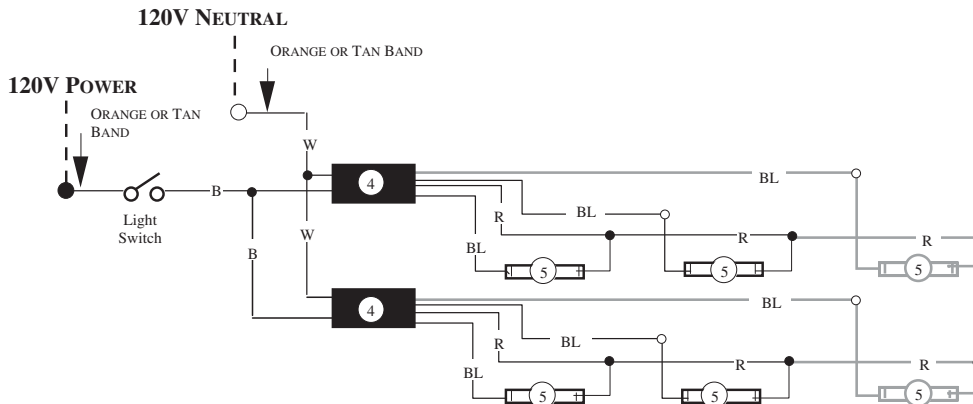
● = 120V POWER ○ = 120V NEUTRAL ≡ = FIELD GROUND ≡≡ = CASE GROUND

Light Circuits

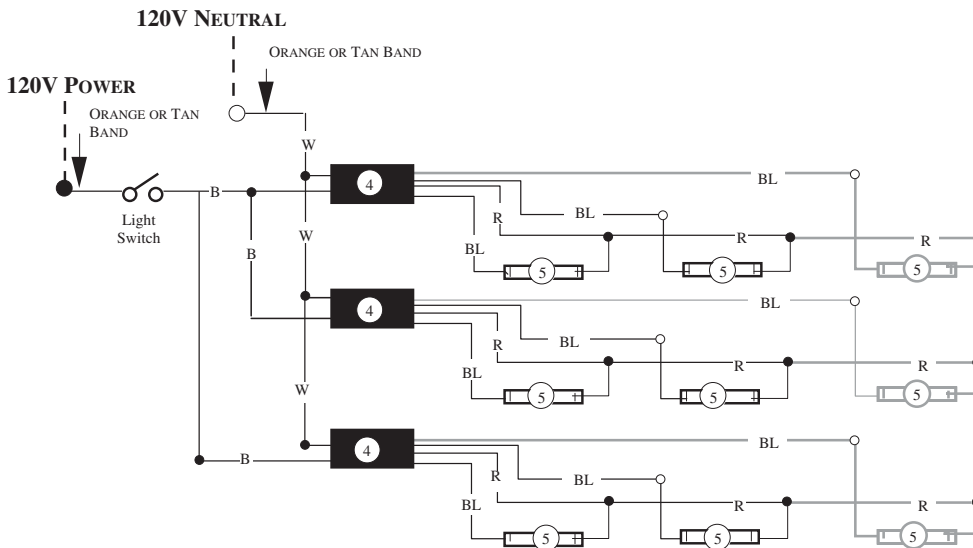
Standard Lighting 1 Row Canopy or Optional 1 Row Rail



Optional Lighting 2 Row Canopy



Optional Lighting 3 Row Canopy



WARNING

All components must have mechanical ground, and the merchandiser must be grounded.

CIRCLED NUMBERS = PARTS LIST ITEM NUMBERS

Grayed components in 10 foot and 12 foot models only.

R = Red Y = Yellow G = Green BL = Blue B = Black W = White

● = 120V POWER ○ = 120V NEUTRAL