

Item	Part #	Description	Wiring Item #	Item	Part #	Description	Wiring Item #
<b>FAN ASSEMBLIES AND THERMOSTATS</b>				<b>LAMPS AND BALLASTS</b>			
A.	<b>9W Fan Assembly</b>		(1)	D.	<b>Ballast, Electronic</b>		(4)
	0047000	Fan Motor, Evaporator (MO.4410103)			0428648	2 lamps (BA.4480823)	
	0315470	Fan Blade (FB.0315470) embossing toward motor			0428649	3 lamps (BA.0428649)	
B.	0411744	Standard Non-adjustable Defrost Thermostat (CT.0411744)	(2)	E.		Fluorescent Lamp	(5)
C.	0137880	Optional Adjustable Refrigeration Thermostat (CT.4481084)	(3)			<i>Replace with like fixtures</i>	

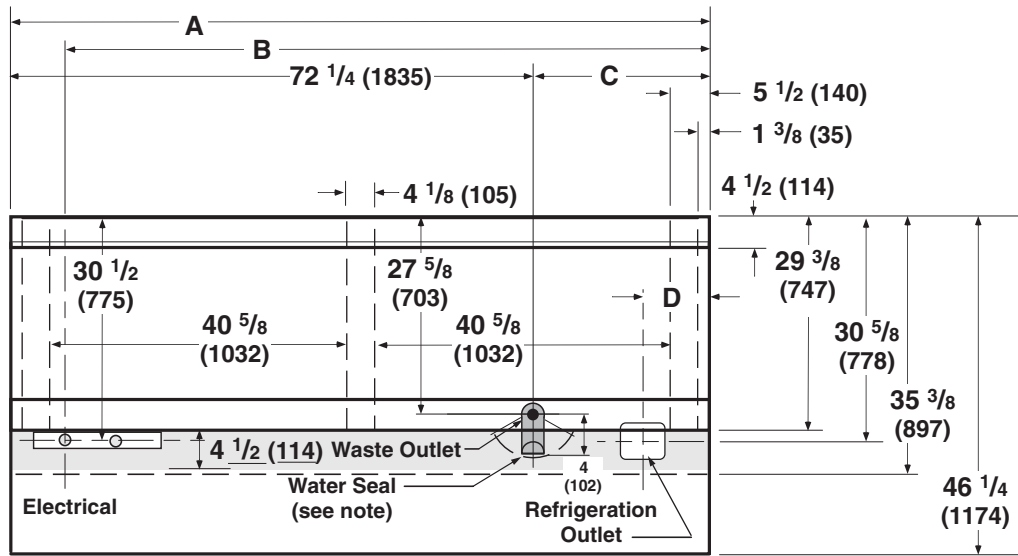
**Note: Revision D adds the 10-ft model and After Market numbers.**

# Engineering Plan Views





Dimensions shown as inches and (mm).

## Meat & Delicatessen

09-2003

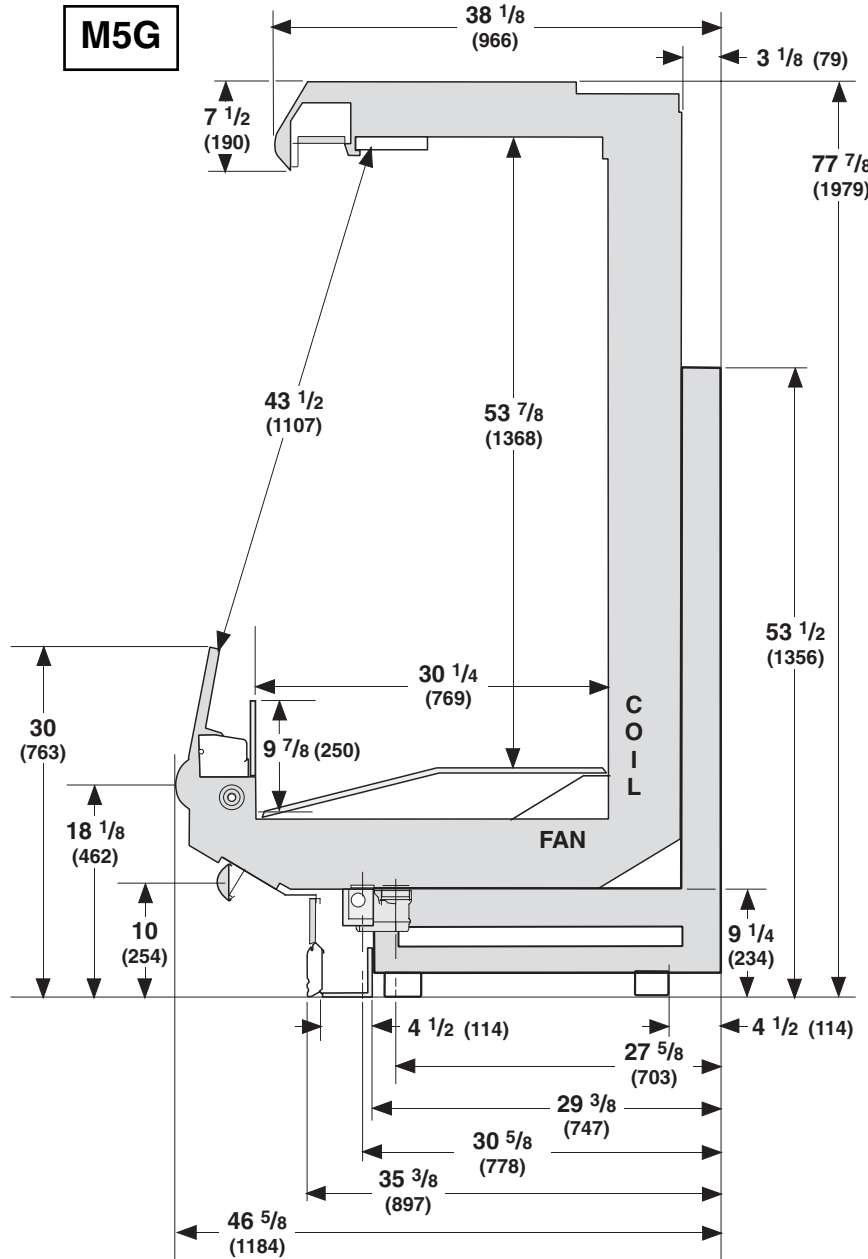


FRONT

	8 ft	10 ft	12 ft
<b>General</b>			
<b>(A)</b> Case Length <i>(without ends or partitions)</i> <i>(Each end and insulated partition adds 1 1/2 in. (38 mm) to case line up.)</i>	96 3/8 (2448)	120 1/2 (3061)	144 1/2 (3670)
Maximum O/S dimension of case back to front <i>(includes bumper)</i>	46 5/8 (1184)	46 5/8 (1184)	46 5/8 (1184)
Back of case to front of splashguard	35 3/8 (897)	35 3/8 (897)	35 3/8 (897)
Back of case to O/S edge of front skid rail	29 3/8 (747)	29 3/8 (747)	29 3/8 (747)
Width of skid rail	4 1/2 (114)	4 1/2 (114)	4 1/2 (114)
RH End of case to inside edge of external support	5 1/2 (140)	5 1/2 (140)	5 1/2 (140)
Distance between edges of external support and center support	40 5/8 (1032)	40 5/8 (1032)	40 5/8 (1032)
Distance between edges of center support	NA	NA	44 (1118)
Stub-up area between front skid rail and splashguard	4 1/2 (114)	4 1/2 (114)	4 1/2 (114)
<b>Electrical Service</b>  <i>(Electrical Field Wiring connection point)</i>			
<b>(B)</b> RH End of case to center of farthest knockout	88 3/8 (2245)	112 1/2 (2858)	136 1/2 (3467)
Back of case to center of knockout	30 1/2 (775)	30 1/2 (775)	30 1/2 (775)
Length of electrical raceway	31 5/8 (803)	31 5/8 (803)	31 5/8 (803)
<b>Waste Outlets</b> <i>(One each end)</i> 			
<b>(C)</b> RH End of case to the center of waste outlet	24 1/8 (613)	72 1/2 (1842)	72 1/4 (1835)
LH End of case to the center of waste outlet	72 1/4 (1835)	72 1/4 (1835)	72 1/4 (1835)
Back O/S of case to center of waste outlets	27 5/8 (703)	27 5/8 (703)	27 5/8 (703)
<b>Water Seal</b> 			
Edge of water seal to center of waste outlet	4 (102)	4 (102)	4 (102)
Outside diameter of the drip pipe	1 1/2 (38)	1 1/2 (38)	1 1/2 (38)
<i>NOTE: Water seal outlet must clear front skid rail; water seal rotation in forward direction only due to low base.</i>			
<b>Refrigeration Outlet</b> 			
Back of case to center of refrigeration outlet	30 5/8 (778)	30 5/8 (778)	30 5/8 (778)
<b>(D)</b> RH End of case to center of refrigeration outlet	9 (230)	9 (230)	9 (230)

**Impact M5G**  
**Meat & Delicatessen**

Dimensions shown as inches and (mm).



**REFRIGERATION DATA**

**Note:** This data is based on store temperature and humidity that does not exceed 75°F and 55% R.H.

	M5G	M5GE
<b>Discharge Air °F</b>	27	28
<b>Evaporator °F</b>	18	21
<b>Unit Sizing °F</b>	16	19
<b>Btu/hr/ft</b>		
<b>Parallel</b>	1380	1320
<b>Conventional</b>	1500	1440

**DEFROST DATA**

<b>Frequency Hrs</b>	6	6
<b>Defrost Water (lb/ft/day)</b>	9	
(± 15% based on case configuration and product loading).		

	M5G	M5GE
<b>OFFTIME</b>		
<b>Temp Term °F</b>	48	48
<b>Failsafe Minutes</b>	35	35

**ELECTRIC OR GAS** Not Recommended

**Standard Defrost Thermostat**

Close on rise: close 48°F — open 33°F

**CONVENTIONAL CONTROLS**

**Low Pressure Backup Control**

C/I/CO*	M5G	M5GE
	12°F / 2°F	14°F / 4°F

**Indoor Unit Only, Pressure Defrost**

**Termination\*** 48°F

\*Use a Temperature Pressure Chart to determine PSIG conversions.

**PHYSICAL DATA**

Merchandiser Drip Pipe (in.)	1 1/2
Merchandiser Liquid Line (in.)	3/8
Merchandiser Suction Line (in.)	7/8

**Estimated Charge (lb)\*\***

	M5G	M5GE
<b>8 ft</b>	2.7	3.2
<b>10 ft</b>	—	3.9
<b>12 ft</b>	3.9	4.5

\*\*This is an average for all refrigerant types. Actual refrigerant charge may vary by approximately half a pound.

**Length Added to Lineup by Each**

**End and Insulated Partition (in.)** 1 1/2

**NSF Certification**

These merchandisers are manufactured to meet ANSI /National Sanitation Foundation (NSF®) Standard #7 requirements.

<b>Impact M5G</b> <b>Meat &amp; Delicatessen</b>
---

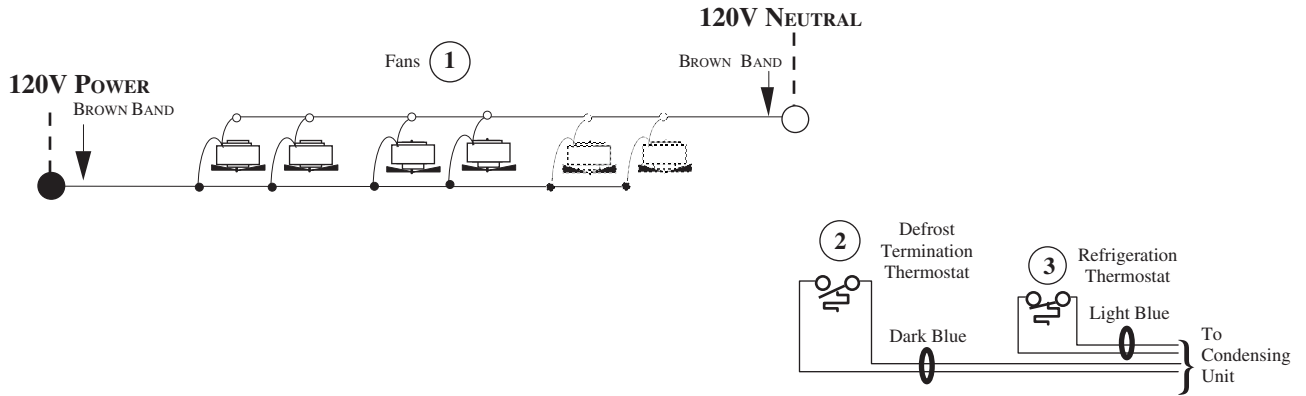
### Electrical Data

<b>Number of Fans</b>	<b>8 ft</b>	<b>10 ft</b>	<b>12 ft</b>
<b>Refrigeration – 9W</b>	<b>4</b>	<b>6</b>	<b>6</b>
<b>Export – 9W</b>	<b>4</b>	<b>6</b>	<b>6</b>

<b>Merchandise</b>	<b>Amperes</b>			<b>Watts</b>		
	<b>8 ft</b>	<b>10 ft</b>	<b>12 ft</b>	<b>8 ft</b>	<b>10 ft</b>	<b>12 ft</b>
<b>Fans (Refrigeration)</b>						
120V 60Hz Standard	2.80	4.20	4.20	210	330	330
120V 60Hz Energy Efficient	1.52	2.28	2.28	100	150	150
230V 50Hz Export	1.52	2.28	2.28	228	342	342
<b>Constant On Anti-sweat Heaters</b>	NA	NA	NA	NA	NA	NA
<b>Cycling Anti-sweat Heaters</b>	NA	NA	NA	NA	NA	NA
<b>Minimum Circuit Ampacity</b>						
120V 60Hz Standard	3.00	4.40	4.40			
120V 60Hz Energy Efficient	1.72	2.48	2.48			
230V 50Hz Export	1.72	2.48	2.48			
<b>Maximum Over Current Protection 120V</b>	<b>20</b>	<b>20</b>	<b>20</b>			
Maximum Over Current Protection 230V	15	15	15			
<b>208V Electric Defrost Heaters</b>	NA	NA	NA	NA	NA	NA
<b>208V Gas Defrost Heaters</b>	NA	NA	NA	NA	NA	NA
<b>Standard Lighting</b>	<b>8 ft</b>	<b>10 ft</b>	<b>12 ft</b>	<b>8 ft</b>	<b>10 ft</b>	<b>12 ft</b>
1 Row Canopy	0.51	0.77	0.77	59	85	85
<b>Optional Lighting</b>						
1 Row Canopy and 1 Row Rail	1.02	1.54	1.54	118	170	170
2 Row Canopy	1.02	1.54	1.54	118	170	170
2 Row Canopy and 1 Row Rail	1.53	2.31	2.31	177	255	255
3 Row Canopy	1.53	2.31	2.31	177	255	255
3 Row Canopy and 1 Row Rail	2.04	3.08	3.08	236	340	340
<b>Optional Shelf Lighting</b>						
1 Row of Shelves	0.51	0.77	0.77	59	85	85
2 Rows of Shelves	1.02	1.54	1.54	118	170	170
3 Rows of Shelves	1.53	2.31	2.31	177	255	255
4 Rows of Shelves	2.04	3.08	3.08	236	340	340

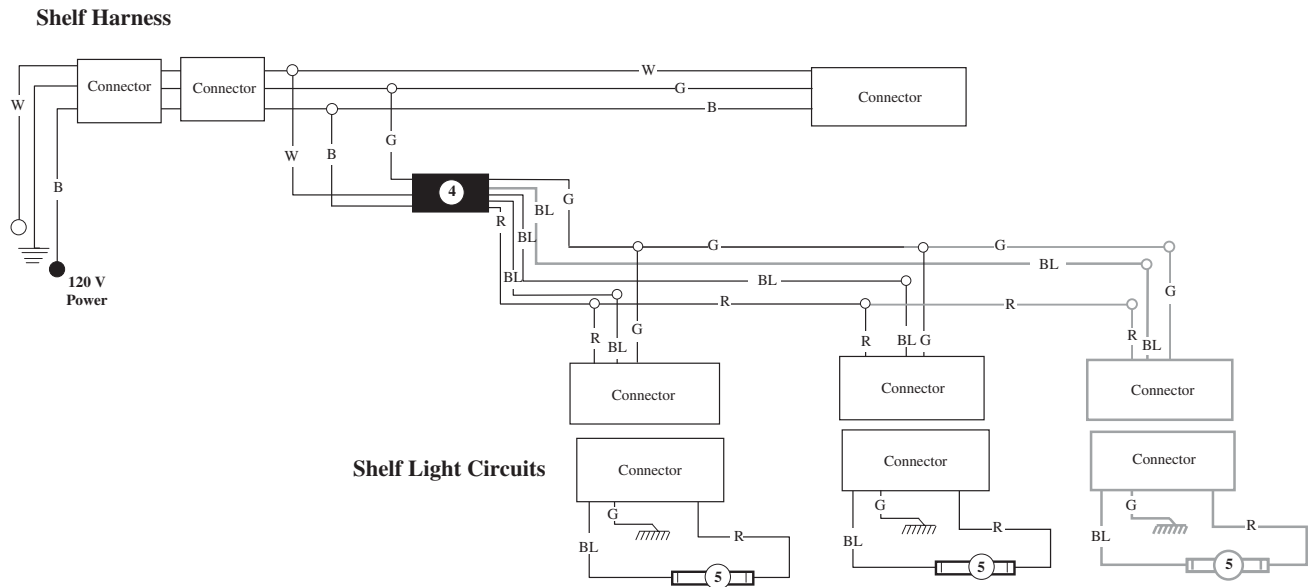
# Fan Wiring Offtime Defrost

## 4 & 6 Fans



## Optional Shelf Harness and Light Circuits for One Row of Shelves

# Shelf Lighting



### WARNING

All components must have mechanical ground, and the merchandiser must be grounded.

CIRCLED NUMBERS = PARTS LIST ITEM NUMBERS

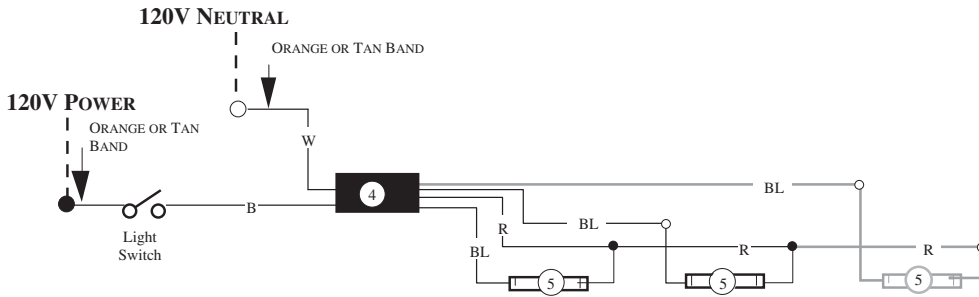
Grayed components in 10 foot and 12 foot models only.

R = Red Y = Yellow G = Green BL = Blue B = Black W = White

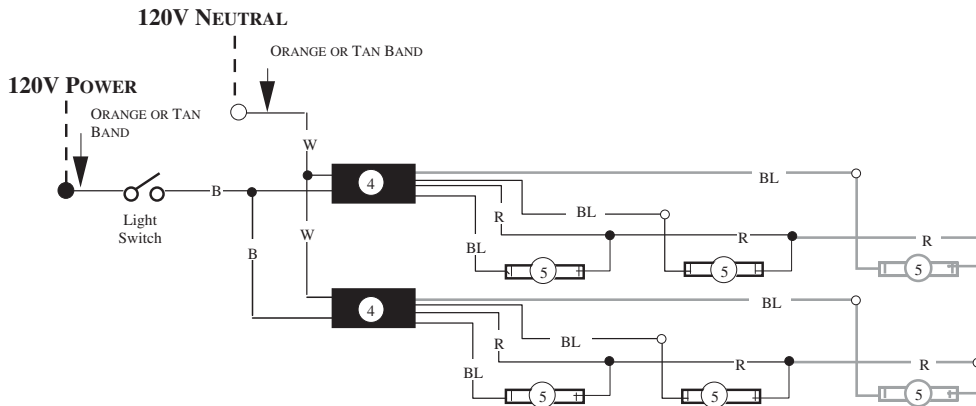
● = 120V POWER    ○ = 120V NEUTRAL    ≡ = FIELD GROUND    ~~~ = CASE GROUND

# Light Circuits

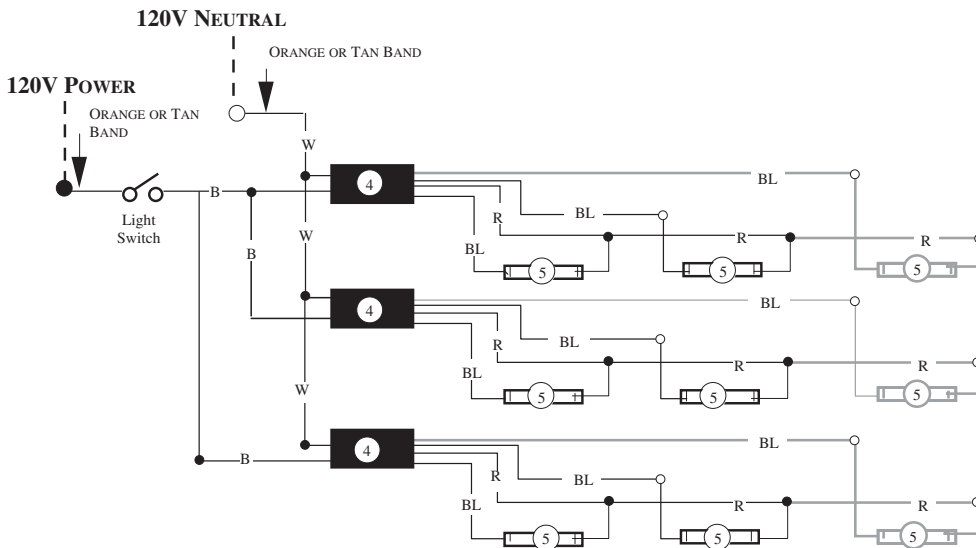
## Standard Lighting 1 Row Canopy or Optional 1 Row Rail



## Optional Lighting 2 Row Canopy



## Optional Lighting 3 Row Canopy



### WARNING

All components must have mechanical ground, and the merchandiser must be grounded.

CIRCLED NUMBERS = PARTS LIST ITEM NUMBERS

Grayed components in 10 foot and 12 foot models only.

R = Red Y = Yellow G = Green BL = Blue B = Black W = White

● = 120V POWER ○ = 120V NEUTRAL