

Item	Part #	Description	Wiring Item #	Item	Part #	Description	Wiring Item #
FAN ASSEMBLIES, AND THERMOSTATS				LAMPS AND BALLASTS			
A.	<u>4W Fan Assembly</u>		(1)	None			
	0392457	Fan Motor, Evaporator					
	0376413	Fan Blade embossing toward motor					
B.	0382028	Standard Non-adjustable Thermostat	(2)				
C.	0137880	Optional Adjustable Refrigeration Thermostat	(3)				

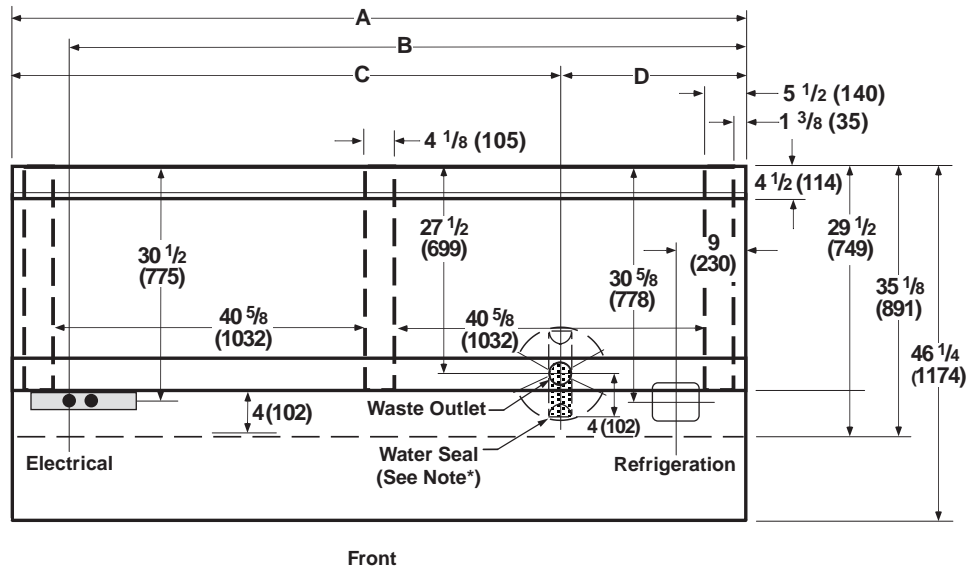
Note: Changed items have been underlined.

Engineering Plan Views

Dimensions shown as inches and (mm).

Bulk Produce

06-2003



General	8 Ft	12 ft
(A) Length of Case (<i>without ends or partitions</i>)	96 ³ / ₈ (2448)	144 ¹ / ₂ (3670)
Maximum outside dimensions of case back to front (<i>includes bumper</i>)	46 ¹ / ₄ (1174)	46 ¹ / ₄ (1174)
Back of case to front of splashguard	35 ¹ / ₈ (891)	35 ¹ / ₈ (891)
Back of case to outside edge of front skidrail	29 ¹ / ₂ (749)	29 ¹ / ₂ (749)
Width of skidrail	4 ¹ / ₂ (114)	4 ¹ / ₂ (114)
Right end of case to outside edge of external support	5 ¹ / ₂ (140)	5 ¹ / ₂ (140)
Distance between inside edges of external support and center support	40 ⁵ / ₈ (1032)	40 ⁵ / ₈ (1032)
Distance between inside edges of center supports	NA	44 (1118)
Stub-up area between front skidrail and splashguard	4 (102)	4 (102)
Electrical Service (<i>Electrical Field Wiring connection point</i>)		
(B) Right end of case to center of farthest knockout	88 ³ / ₈ (2245)	136 ¹ / ₂ (3467)
Back outside of case to center of knockout	30 ¹ / ₂ (775)	30 ¹ / ₂ (775)
Length of electrical raceway	34 ¹ / ₂ (878)	34 ¹ / ₂ (878)
Waste Outlet		
(C) Left end of case to center of waste outlet	72 ¹ / ₄ (1835)	72 ¹ / ₄ (1835)
(D) Right end of case to center of waste outlet	24 ¹ / ₈ (613)	72 ¹ / ₄ (1835)
Back outside of case to center of waste outlet	27 ¹ / ₂ (699)	27 ¹ / ₂ (699)
Water Seal		
Edge of water seal to center of waste outlet	4 (102)	4 (102)
Outside diameter of drip pipe	1 ¹ / ₂ (38)	1 ¹ / ₂ (38)
*Note: Water seal outlet must clear front skid rail.		
Refrigeration Outlet		
Right end of case to center of refrigeration outlet	9 (230)	9 (230)
Back outside of case to center of refrigeration outlet	30 ⁵ / ₈ (778)	30 ⁵ / ₈ (778)

Impact P1
Bulk Produce

REFRIGERATION DATA

Note: This data is based on store temperature and humidity that does not exceed 75°F and 55% R.H.

	P1	P1E
Discharge Air °F	31	31
Evaporator °F	21	24
Unit Sizing °F	19	22

	P1	P1E
Btu/hr/ft**		
Parallel	545	520
Conventional	580	555

**For all refrigeration equipment other than Hussmann, use conventional BTU values.

DEFROST DATA

	P1	P1E
Frequency (hr)	8	8
Defrost Water (lb/ft/day)	4	4

(±15% based on case configuration and product loading.)

	P1	P1E
OFFTIME		
Temp Term °F	43°F	43°F
Failsafe Minutes	35	35

ELECTRIC OR GAS Not Recommended

Standard Defrost Thermostat

Close on rise: close 43°F — open 33°F

CONVENTIONAL CONTROLS

	P1	P1E
Low Pressure Backup Control		
CI/CO**	14/4°F	17/7°F

Indoor Unit Only, Pressure Defrost

Termination** 48°F

**Use a Temperature Pressure Chart to determine PSIG conversions.

PHYSICAL DATA

Merchandiser Drip Pipe (in.)	1 1/2
Liquid Line (in.)	3/8
Suction Line (in.)	5/8

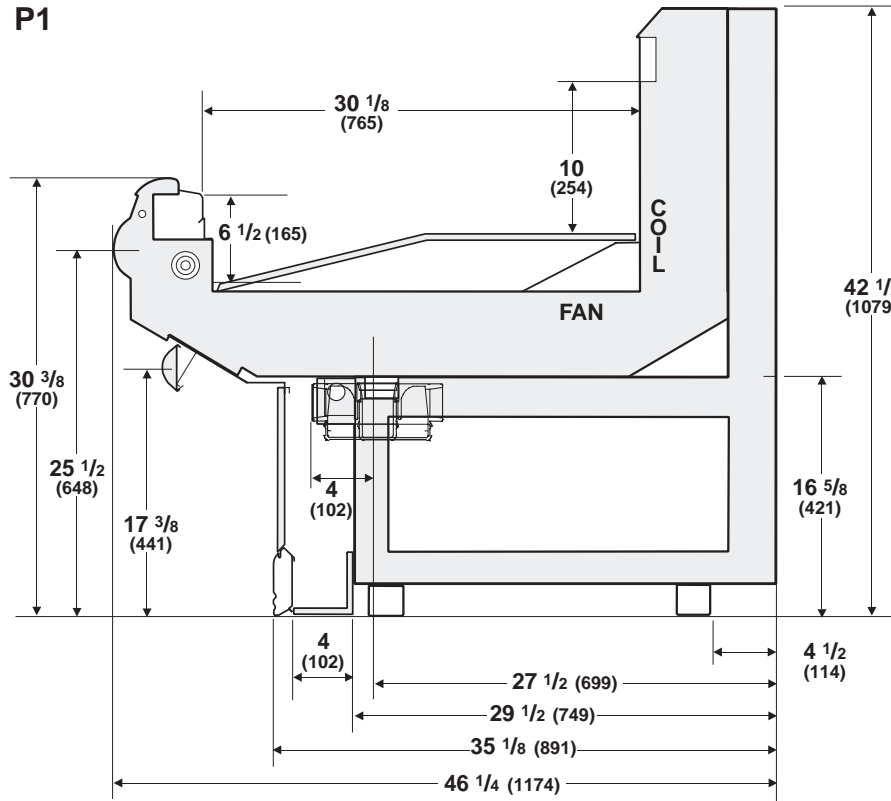
Estimated Charge (lbs)***

	P1	P1E
8 ft	1.5	1.7
12 ft	2.0	2.3

***This is an average for all refrigerant types actual refrigerant charge may vary by approximately half a pound.

Length (in.) Added to Lineup by Each End or Insulated Partition 1 1/2

Dimensions shown as inches and (mm).



NSF Certification

These merchandisers are manufactured to meet ANSI /National Sanitation Foundation (NSF®) Standard #7 requirements.

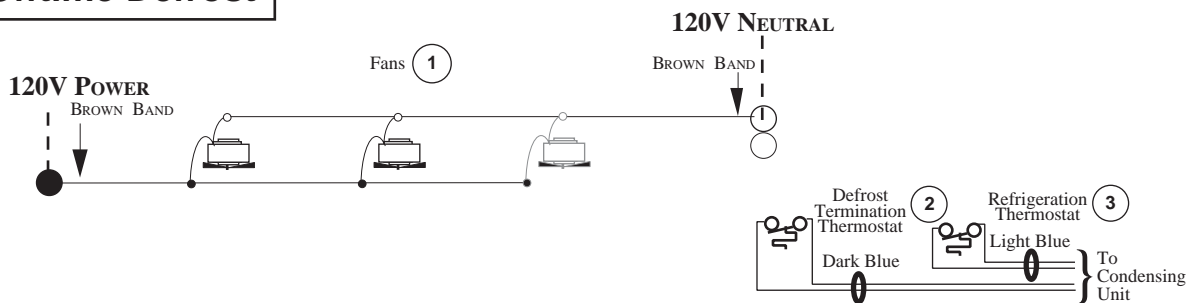
Impact P1
Bulk Produce

Electrical Data

	8 ft	12 ft		
Number of Fans — 4W	2	3		
	Amperes		Watts	
	8 ft	12 ft	8 ft	12 ft
Merchandiser				
Fans				
Standard (120V 60Hz)	<u>0.62</u>	<u>0.93</u>	<u>72</u>	<u>120</u>
Export (230V 50Hz)	<u>0.36</u>	<u>0.54</u>	<u>54</u>	<u>81</u>
Energy Efficient (120V 60Hz)	<u>0.28</u>	<u>0.42</u>	<u>20</u>	<u>30</u>
Constant on Anti-sweat Heaters	NA			
Cycling Anti-sweat Heaters	NA			
Minimum Circuit Ampacity				
With Standard Fans (120V 60Hz)	<u>0.82</u>	<u>1.13</u>		
Export (230V 50Hz)	<u>0.56</u>	<u>0.74</u>		
With Energy Efficient Fans (120V 60Hz)	<u>0.48</u>	<u>0.62</u>		
Maximum Over Current Protection 120V	20	20		
Supplemental Gas Heaters	NA			
208V 1Φ Electric Defrost	NA			
Standard Lighting				
None				
Optional Lighting				
None				
Optional Shelf Lighting				
None				

Fan Wiring
Offtime Defrost

2 & 3 Fans



WARNING

All components must have mechanical ground, and the merchandiser must be grounded.

CIRCLED NUMBERS = PARTS LIST ITEM NUMBERS

GRAYED COMPONENTS IN 12 FOOT MODELS ONLY.

● = 120V POWER ○ = 120V NEUTRAL