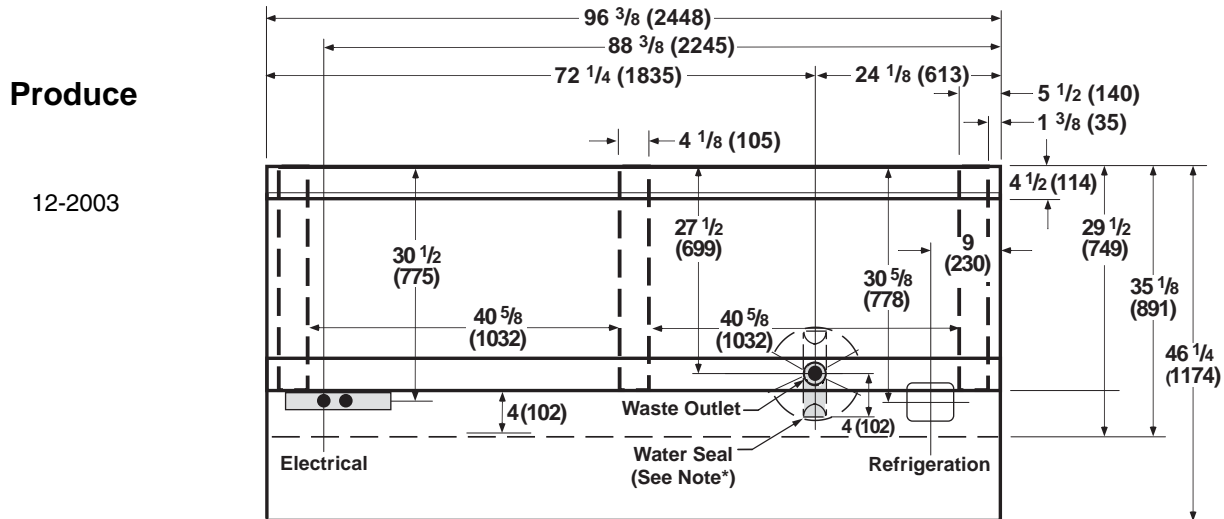





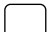
Item	Part #	Description	Wiring Item #	Item	Part #	Description	Wiring Item #
FAN ASSEMBLIES AND THERMOSTATS				LAMPS AND BALLASTS			
A.	<u>6W Fan Assembly</u>		1	D.	0428648	Ballast 2 lamps	4
	0047000	Fan Motor, Evaporator		D.	0428649	Ballast 3 lamps	4
	0315470	Fan Blade embossing toward motor		E.		Fluorescent Lamp	5
B.	0311588	Standard Non-adjustable Thermostat	2			Replace with like fixtures	
C.	0137880	Optional Adjustable Refrigeration Thermostat	3				

Note: Changed items have been underlined.

Engineering Plan View

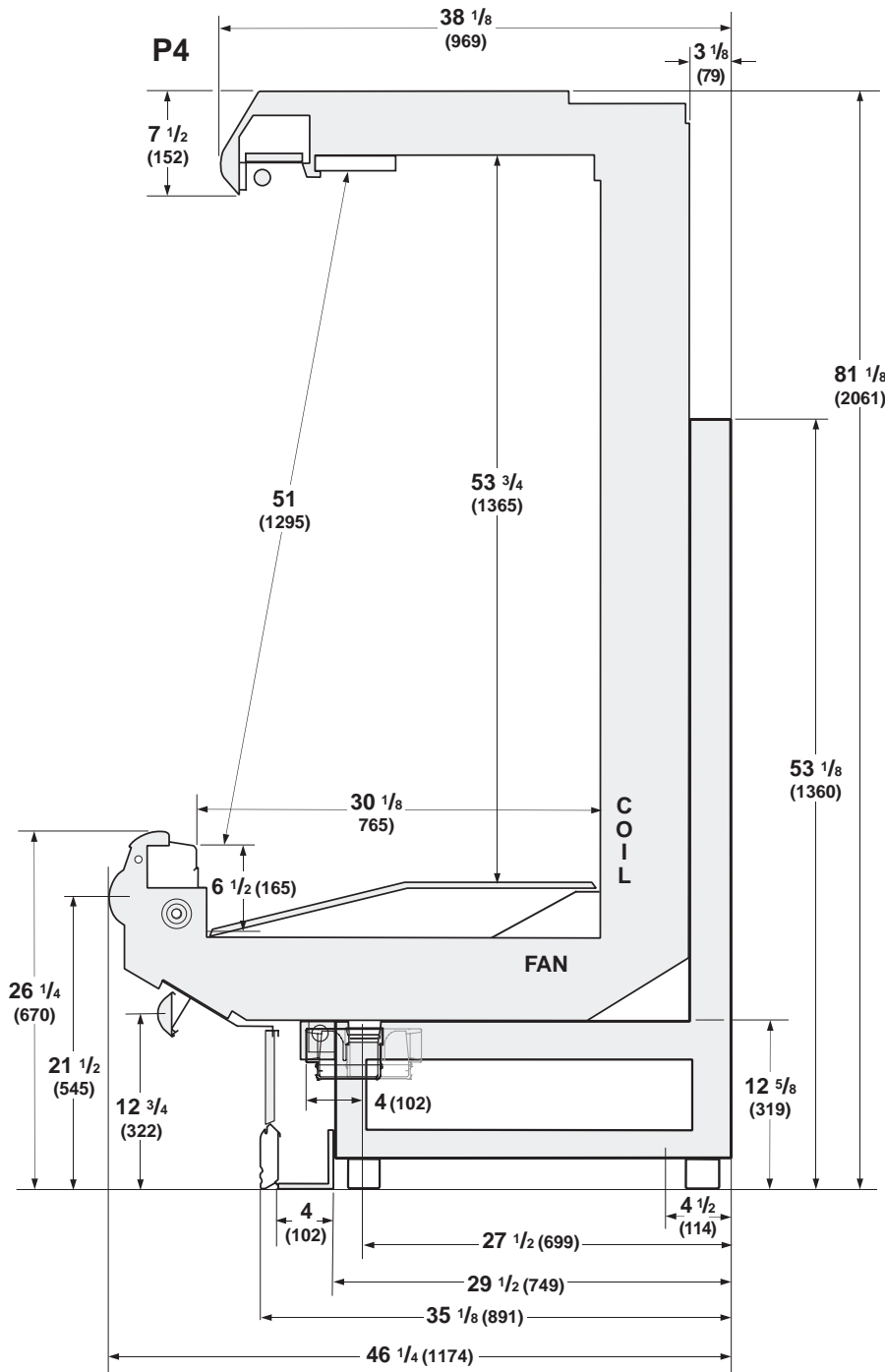
Dimensions shown as inches and (mm).



	8 Ft	12 ft
General		
Length of Case (<i>without ends or partitions</i>)	$96 \frac{3}{8}$ (2448)	$144 \frac{1}{2}$ (3670)
Maximum outside dimensions of case back to front (<i>includes bumper</i>)	$46 \frac{1}{4}$ (1174)	$46 \frac{1}{4}$ (1174)
Back of case to front of splashguard	$35 \frac{1}{8}$ (891)	$35 \frac{1}{8}$ (891)
Back of case to outside edge of front skidrail	$29 \frac{1}{2}$ (749)	$29 \frac{1}{2}$ (749)
Width of skidrail	$4 \frac{1}{2}$ (114)	$4 \frac{1}{2}$ (114)
Right end of case to outside edge of external support	$5 \frac{1}{2}$ (140)	$5 \frac{1}{2}$ (140)
Distance between inside edges of external support and center support	$40 \frac{5}{8}$ (1032)	$40 \frac{5}{8}$ (1032)
Distance between inside edges of center supports	NA	44 (1118)
Width of external support	$4 \frac{1}{8}$ (105)	$4 \frac{1}{8}$ (105)
Stub-up area between front skidrail and splashguard	4 (102)	4 (102)
Right edge of case (excluding end) to inside edge of external support	$1 \frac{3}{8}$ (35)	$1 \frac{3}{8}$ (35)
Electrical Service 		
Right end of case to center of farthest knockout	$88 \frac{3}{8}$ (2245)	$136 \frac{1}{2}$ (3467)
Back outside of case to center of knockout	$30 \frac{1}{2}$ (775)	$30 \frac{1}{2}$ (775)
Length of electrical raceway	$34 \frac{1}{2}$ (778)	$34 \frac{1}{2}$ (778)
Waste Outlet 		
Right end of case to center of waste outlet	$24 \frac{1}{8}$ (613)	$72 \frac{1}{4}$ (1835)
Left end of case to center of waste outlet	$72 \frac{1}{4}$ (1835)	$72 \frac{1}{4}$ (1835)
Back outside of case to center of waste outlet	$27 \frac{1}{2}$ (699)	$27 \frac{1}{2}$ (699)
Water Seal 		
Edge of water seal to center of waste outlet	4 (102)	4 (102)
Outside diameter of drip pipe	$1 \frac{1}{2}$ (38)	$1 \frac{1}{2}$ (38)
*Note: Water seal outlet must clear front skid rail.		
Refrigeration Outlet 		
Right end of case to center of refrigeration outlet	9 (230)	9 (230)
Back outside of case to center of refrigeration outlet	$30 \frac{5}{8}$ (778)	$30 \frac{5}{8}$ (778)

Impact P4
All Produce

Dimensions shown as inches and (mm).



REFRIGERATION DATA

Note: This data is based on store temperature and humidity that does not exceed 75°F and 55% R.H.

	P4	P4E
Discharge Air °F	29	31
Evaporator °F	21	24
Unit Sizing °F	19	22
Btu/hr/ft**		
Parallel	1535	1455
Conventional	1650	1585

**For all refrigeration equipment other than Hussmann, use conventional BTU values.

DEFROST DATA

	P4	P4E
Frequency (hr)	6	6
Defrost Water (lb/ft/day)	9	9

(±15% based on case configuration and product loading.)

<i>OFFTIME</i>	P4	P4E
Temp Term °F	48°F	48°F
Failsafe Minutes	30	30

ELECTRIC OR GAS Not Recommended

Standard Defrost Thermostat

Close on rise: close 48°F – open 33°F

CONVENTIONAL CONTROLS

	P4	P4E
Low Pressure Backup Control		
CI/CO**	14/4°F	17/7°F

Indoor Unit Only, Pressure Defrost Termination** 48°F

**Use a Temperature Pressure Chart to determine PSIG conversions.

PHYSICAL DATA

Merchandise Drip Pipe (in.)	1 1/2
Liquid Line (in.)	3/8
Suction Line (in.)	7/8

	P4	P4E
Estimated Charge (lbs)***		
8 ft	2.7	3.2
12 ft	3.9	4.5

***This is an average for all refrigerant types actual refrigerant charge may vary by approximately half a pound.

Length (in.) Added to Lineup by Each End or Insulated Partition 1 1/2

NSF Certification

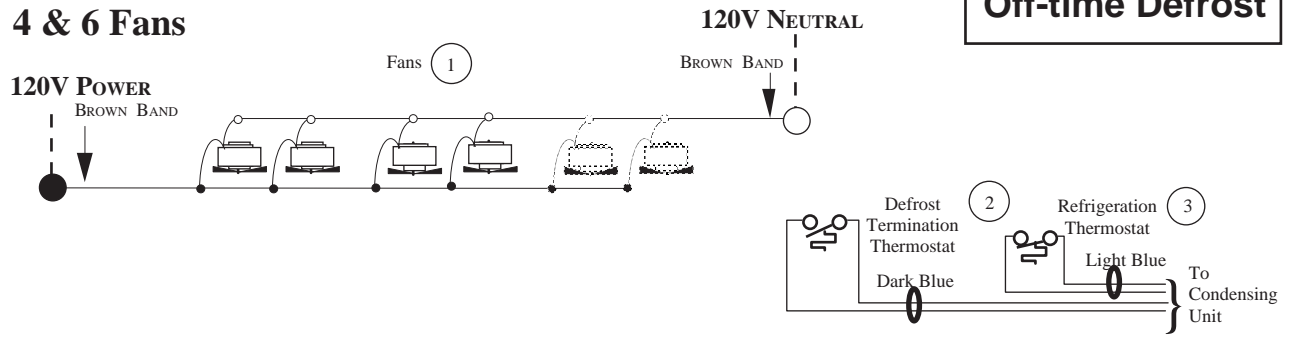
These merchandisers are manufactured to meet ANSI /National Sanitation Foundation (NSF®) Standard #7 requirements.

Electrical Data

	8 Ft	12 Ft		
Number of Fans — 6W	2	3		
	Amperes		Watts	
Merchandise	8 Ft	12 Ft	8 Ft	12 Ft
Fans				
Standard (120V 60Hz)	<u>2.80</u>	<u>4.20</u>	<u>210</u>	<u>320</u>
Export (230V 50Hz)	<u>1.52</u>	<u>2.28</u>	<u>228</u>	<u>342</u>
Energy Efficient (120V 60Hz)	<u>1.52</u>	<u>2.28</u>	<u>100</u>	<u>150</u>
Constant on Anti-sweat Heaters	NA			
Cycling Anti-sweat Heaters	NA			
Min. Circuit Ampacity				
With Standard Fans (120V 60Hz)	<u>3.00</u>	<u>4.40</u>		
Export (230V 50Hz)	<u>1.72</u>	<u>2.48</u>		
With Energy Efficient Fans (120V 60Hz)	<u>1.72</u>	<u>2.48</u>		
Maximum Over Current Protection 120V	20	20		
Maximum Over Current Protection 230V	15	15		
Supplemental Gas Heaters	NA			
208V 1Φ Electric Defrost	NA			
Standard Lighting				
1 Row Canopy	0.51	0.77	59	85
Optional Lighting				
1 Row Canopy and 1 Rail	1.02	1.54	118	170
2 Rows Canopy	1.02	1.54	118	170
2 Rows Canopy and 1 Row Rail	1.53	2.31	177	255
Optional Shelf Lighting				
1 Row of Shelves	0.51	0.77	59	85
2 Rows of Shelves	1.02	1.54	118	170
3 Rows of Shelves	1.53	2.31	177	255

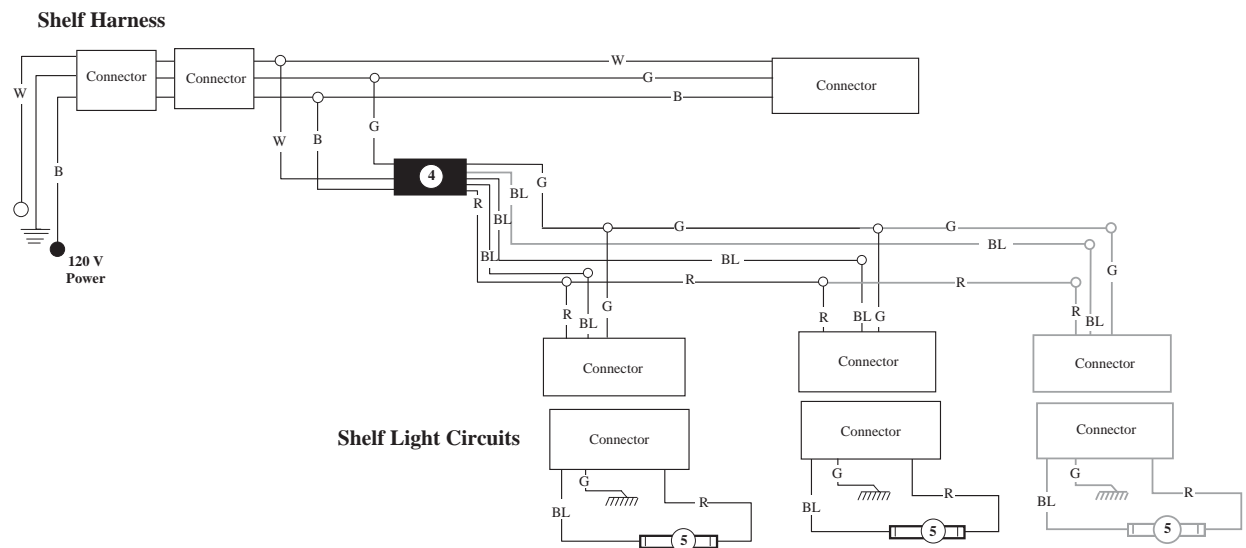
Fan Wiring Off-time Defrost

4 & 6 Fans



Optional Shelf Harness and Light Circuits for One Row of Shelves

Shelf Lighting



WARNING

All components must have mechanical ground, and the merchandiser must be grounded.

CIRCLED NUMBERS = PARTS LIST ITEM NUMBERS

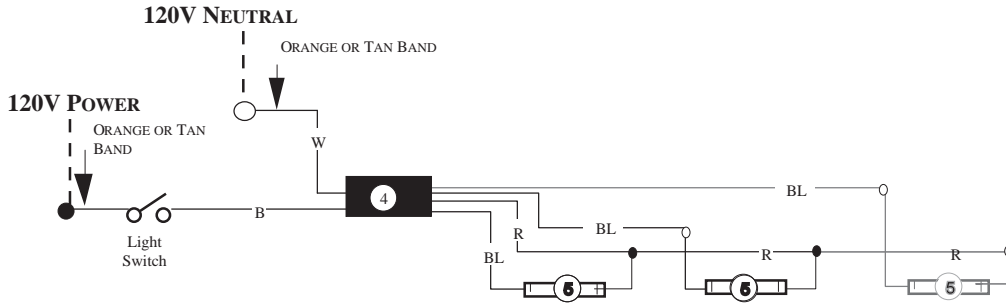
Grayed components in 12 foot models only.

R = Red Y = Yellow G = Green BL = Blue B = Black W = White

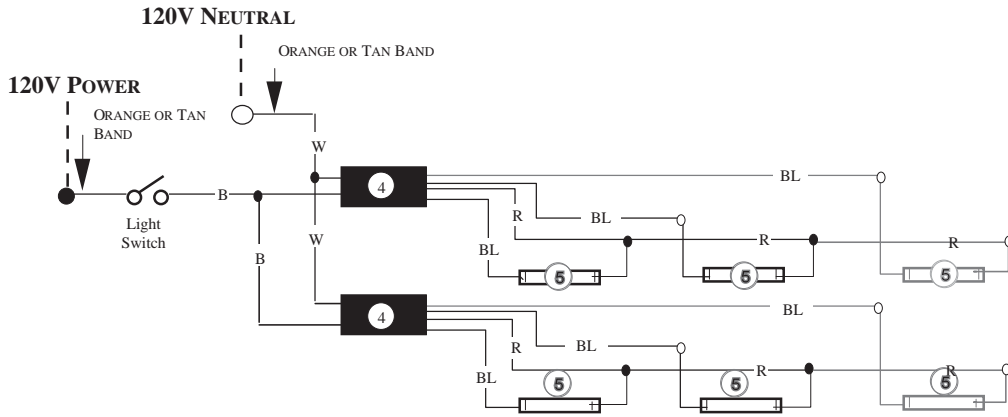
● = 120V POWER ○ = 120V NEUTRAL ≡ = FIELD GROUND ≡≡ = CASE GROUND

Light Circuits

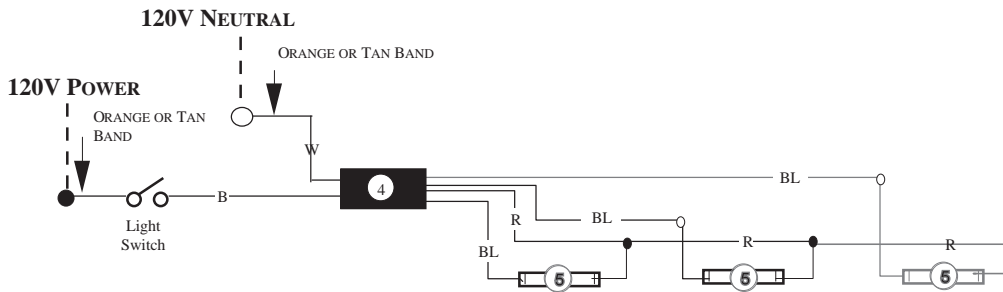
Standard Lighting 1 Row Canopy (Standard on Multideck)



Optional Lighting 2 Rows Canopy



Optional Lighting 1 Row Rail



WARNING

All components must have mechanical ground, and the merchandiser must be grounded.

CIRCLED NUMBERS = PARTS LIST ITEM NUMBERS

Grayed components in 12 foot models only.

R = Red Y = Yellow G = Green BL = Blue B = Black W = White

● = 120V POWER ○ = 120V NEUTRAL