

| Item | Part # | Description | Wiring Item # | Item | Part # | Description | Wiring Item # |
|---------------------------------------|------------------------|---|---------------|---------------------------|---------|---|---------------|
| FAN ASSEMBLIES AND THERMOSTATS | | | | LAMPS AND BALLASTS | | | |
| A. | <u>9W Fan Assembly</u> | | (1) | D. | 0376409 | Ballast, Electronic 2 lamps | (4) |
| | 0047000 | Fan Motor, Evaporator | | D. | 0376410 | Ballast, Electronic 3 lamps | (4) |
| | 0315470 | Fan Blade embossing toward motor | | E. | | Fluorescent Lamp <i>Replace with like fixtures</i> | (5) |
| B. | 0411744 | Standard Non-adjustable Defrost Thermostat | (2) | | | | |
| C. | 0137880 | Optional Adjustable Refrigeration Thermostat | (3) | | | | |

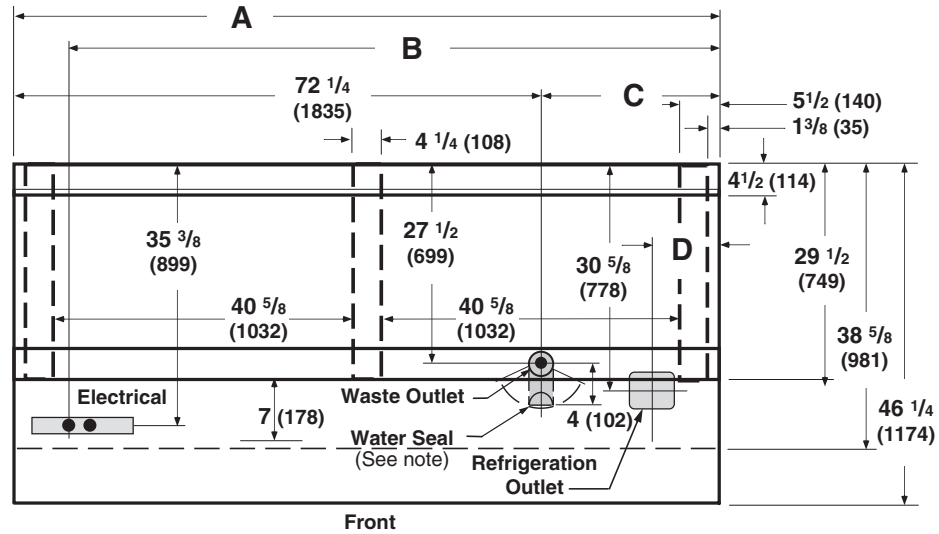
Note: Changed items have been underlined.





Engineering Plan Views

Dairy & Delicatessen

05-2003

Dimensions shown as in. and (mm).



| | 8 ft | 12 ft |
|---|---------------|----------------|
| General | | |
| (A) Case Length (<i>without ends or partitions</i>) | 96 3/8 (2448) | 144 1/2 (3670) |
| Maximum O/S dimension of case back to front (<i>includes bumper</i>) | 46 1/4 (1174) | 46 1/4 (1174) |
| Back of case to front of splashguard | 38 5/8 (981) | 38 5/8 (981) |
| Back of case to O/S edge of front skid rail | 29 1/2 (749) | 29 1/2 (749) |
| Width of skid rail | 4 1/2 (114) | 4 1/2 (114) |
| RH end of case to outside edge of external support | 5 1/2 (140) | 5 1/2 (140) |
| Distance between edges of external support and center support | 40 5/8 (1032) | 40 5/8 (1032) |
| Distance between edges of center supports | NA | 44 (1118) |
| Stub-up area between front skid rail and splashguard | 7 (178) | 7 (178) |
| Electrical Service  (<i>Electrical Field Wiring connection point</i>) | | |
| (B) RH End of case to center of farthest knockout | 88 3/8 (2245) | 136 1/2 (3467) |
| Back of case to center of knockout | 35 3/8 (899) | 35 3/8 (899) |
| Length of electrical raceway | 34 5/8 (878) | 34 5/8 (878) |
| Waste Outlet  | | |
| (C) RH End of case to the center of waste outlet | 24 1/8 (613) | 72 1/4 (1835) |
| LH End of case to the center of waste outlet | 72 1/4 (1835) | 72 1/4 (1835) |
| Back O/S of case to center of waste outlet | 27 1/2 (699) | 27 1/2 (699) |
| Water Seal  | | |
| Edge of water seal to center of waste outlet | 4 (102) | 4 (102) |
| Outside diameter of the drip pipe | 1 1/2 (38) | 1 1/2 (38) |
| <i>NOTE: Water seal outlet must clear front skid rail; water seal rotation in forward direction only due to low base.</i> | | |
| Refrigeration Outlet  | | |
| Back of case to center of refrigeration outlet | 30 5/8 (778) | 30 5/8 (778) |
| (D) RH end of case to center of refrigeration outlet | 9 (230) | 9 (230) |

Dimensions shown as in. and (mm).

Impact D5L
Dairy & Delicatessen

REFRIGERATION DATA

Note: This data is based on store temperature and humidity that does not exceed 75°F and 55% R.H.

| | D5L | D5LE |
|---|------|------|
| Discharge Air °F | 31 | 32 |
| Evaporator °F | 21 | 24 |
| Unit Sizing °F | 19 | 22 |
| <i>Btu/hr/ft*</i> | D5L | D5LE |
| LIT & UNLIT SHELVES | | |
| Parallel | 1495 | 1425 |
| Conventional | 1580 | 1515 |
| HUSSMANN PEG SHELVES (DELI ONLY) | | |
| Parallel | 1615 | 1545 |
| Conventional | 1700 | 1635 |

*For all refrigeration equipment other than Hussmann, use conventional Btu values.

DEFROST DATA

| | | |
|--|-------|----|
| Frequency Hrs | 6 | 6 |
| Defrost Water (lb/ft/day) | 10.25 | |
| (± 15% based on case configuration and product loading). | | |
| OFFTIME | | |
| Temp Term °F | 48 | 48 |
| Failsafe Minutes | 30 | 35 |

ELECTRIC OR GAS Not Recommended

Standard Defrost Thermostat

Close on rise: close 48°F — open 33°F

CONVENTIONAL CONTROLS

Low Pressure Backup Control

| CI/CO** | D5L | D5LE |
|---------|----------|----------|
| | 14°F/4°F | 17°F/7°F |

Indoor Unit Only, Pressure Defrost

Termination** 48°F

**Use a Temperature Pressure Chart to determine PSIG conversions.

PHYSICAL DATA

| | |
|---------------------------------|-------|
| Merchandiser Drip Pipe (in.) | 1 1/2 |
| Merchandiser Liquid Line (in.) | 3/8 |
| Merchandiser Suction Line (in.) | 7/8 |

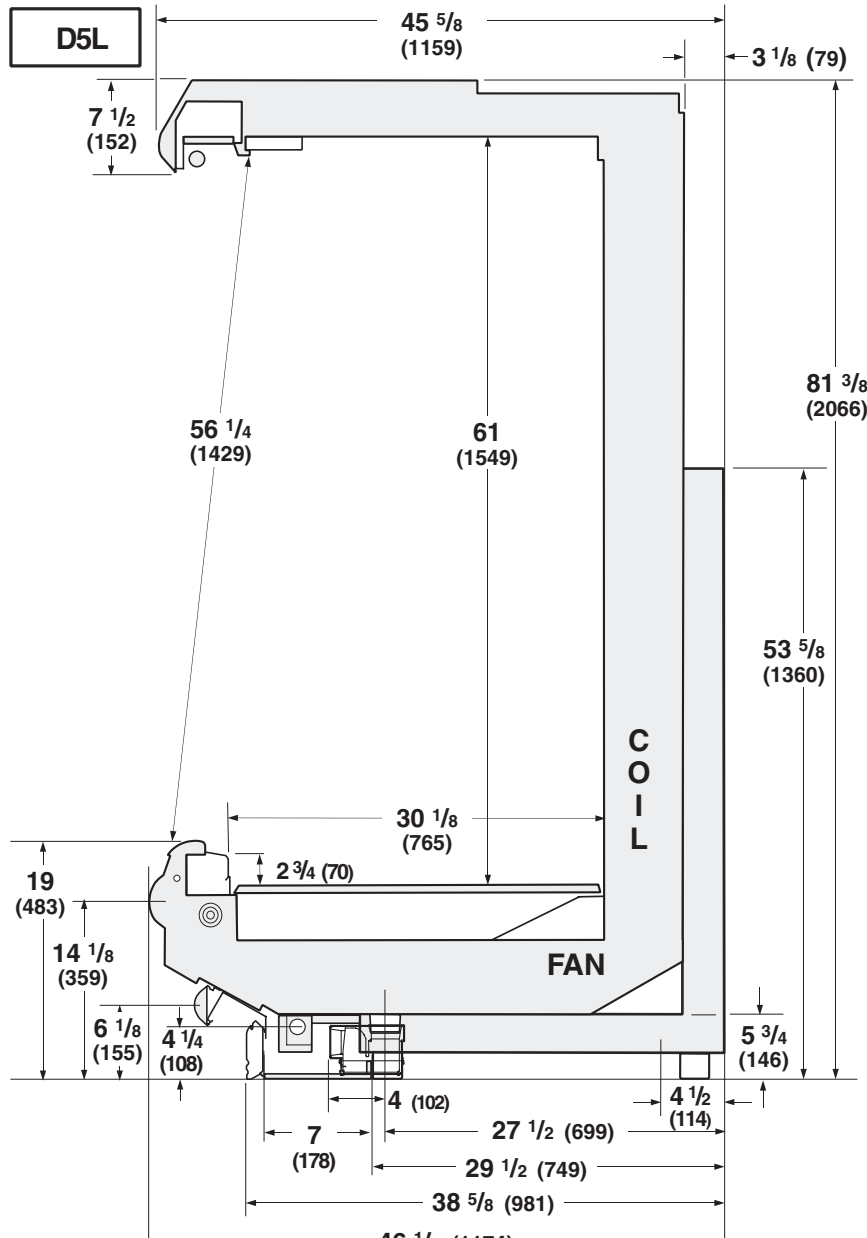
Estimated Charge (lb)***

| | D5L | D5LE |
|-------|-----|------|
| 8 ft | 2.3 | 2.7 |
| 12 ft | 3.3 | 3.9 |

***This is an average for all refrigerant types. Actual refrigerant charge may vary by approximately half a pound.

Length Added to Lineup by End or

| | |
|---------------------------|-------|
| Insulated Partition (in.) | 1 1/2 |
|---------------------------|-------|



NSF Certification

These merchandisers are manufactured to meet ANSI /National Sanitation Foundation (NSF®) Standard #7 requirements.

| |
|--|
| Impact D5L Dairy & Delicatessen |
|--|

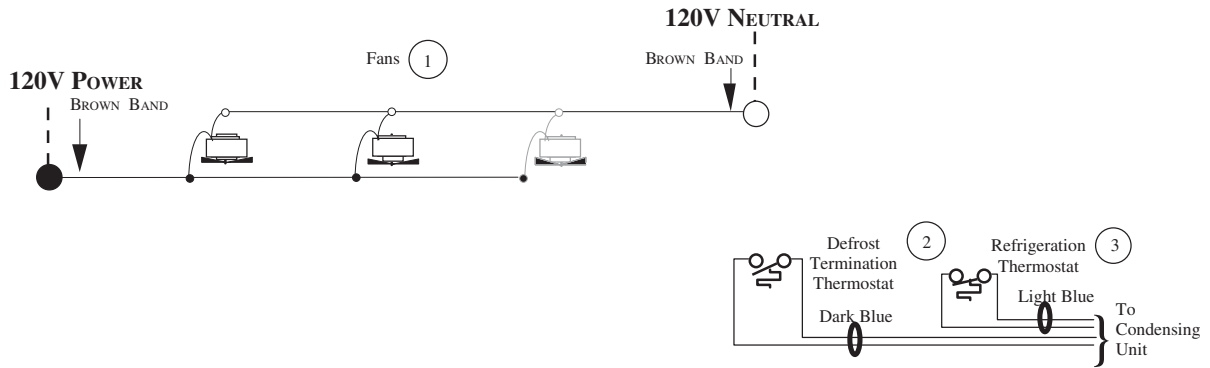
Electrical Data

| | | |
|---------------------------|-------------|--------------|
| Number of Fans | 8 ft | 12 ft |
| Refrigeration – 9W | 2 | 3 |
| Export – 9W | 2 | 3 |

| Merchandise | Amperes | | Watts | |
|---|----------------|--------------|--------------|--------------|
| | 8 ft | 12 ft | 8 ft | 12 ft |
| Fans (Refrigeration) | | | | |
| Standard (120V 60Hz) | 1.40 | 2.10 | 105 | 160 |
| Energy Efficient (120V 60Hz) | 0.76 | 1.14 | 50 | 75 |
| Export (230V 50Hz) | 0.76 | 1.14 | 114 | 171 |
| Constant On Anti-sweat Heaters | NA | NA | NA | NA |
| Cycling Anti-sweat Heaters | NA | NA | NA | NA |
| Minimum Circuit Ampacity | | | | |
| With Standard Fans | 1.60 | 2.30 | | |
| With Energy Efficient Fans | 0.96 | 1.34 | | |
| With Export Fans (230V 50Hz) | 0.96 | 1.34 | | |
| Maximum Over Current Protection 120V | 20 | 20 | | |
| Export (230V 50Hz) | 15 | 15 | | |
| Electric Defrost Heaters (208V 1Φ) | NA | NA | NA | NA |
| Gas Defrost Heaters (208V) | NA | NA | NA | NA |
| Standard Lighting | 8 ft | 12 ft | 8 ft | 12 ft |
| 1 Row Canopy | 0.51 | 0.77 | 59 | 85 |
| Optional Lighting | | | | |
| 1 Row Canopy and 1 Row Rail | 1.02 | 1.54 | 118 | 170 |
| 2 Rows Canopy | 1.02 | 1.54 | 118 | 170 |
| 2 Rows Canopy and 1 Row Rail | 1.53 | 2.31 | 177 | 255 |
| Optional Shelf Lighting | | | | |
| 1 Row Shelves | 0.51 | 0.77 | 59 | 85 |
| 2 Rows of Shelves | 1.02 | 1.54 | 118 | 170 |
| 3 Rows of Shelves | 1.53 | 2.31 | 177 | 255 |
| 4 Rows of Shelves | 2.04 | 3.08 | 236 | 340 |

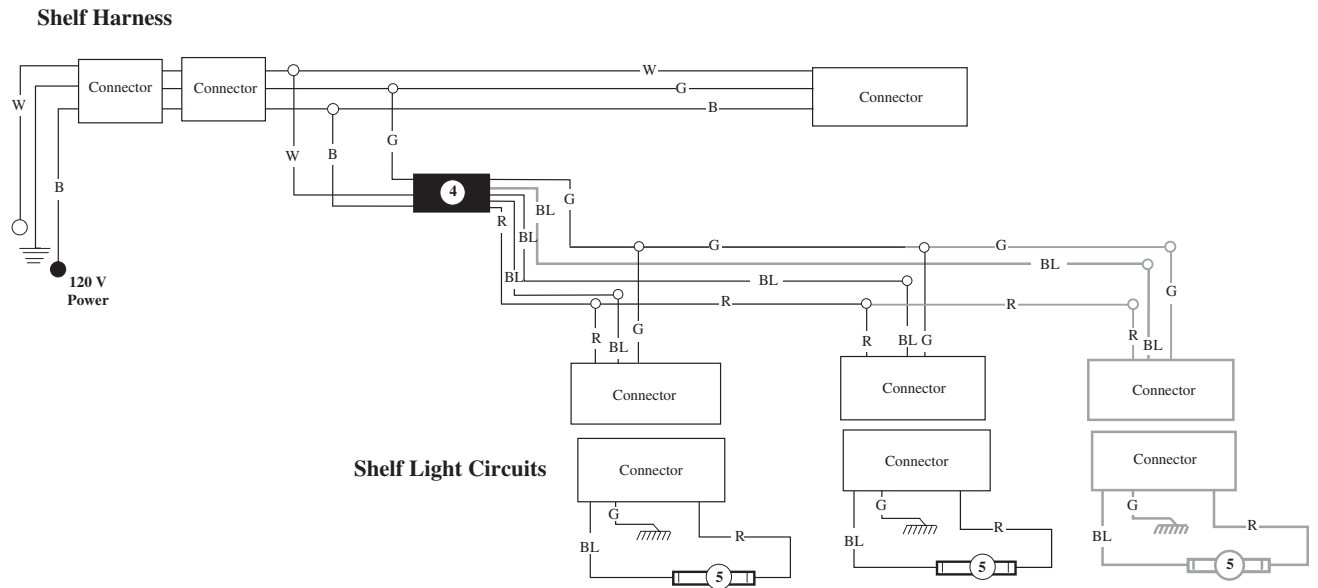
Fan Wiring Offtime Defrost

2 & 3 Fans



Optional Shelf Harness and Light Circuits for One Row of Shelves

Shelf Lighting



WARNING

All components must have mechanical ground, and the merchandiser must be grounded.

CIRCLED NUMBERS = PARTS LIST ITEM NUMBERS

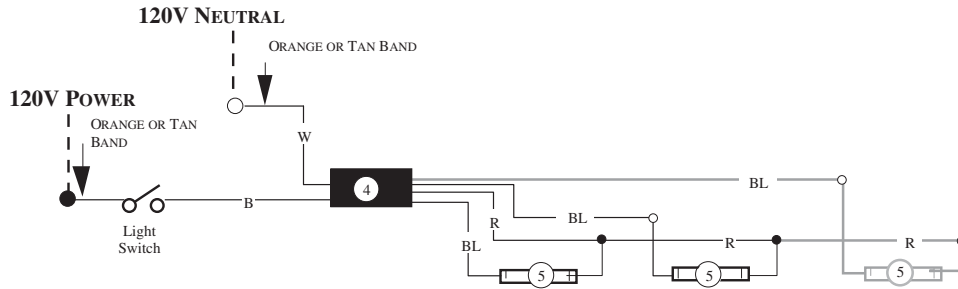
Grayed components in 12 foot models only.

R = Red Y = Yellow G = Green BL = Blue B = Black W = White

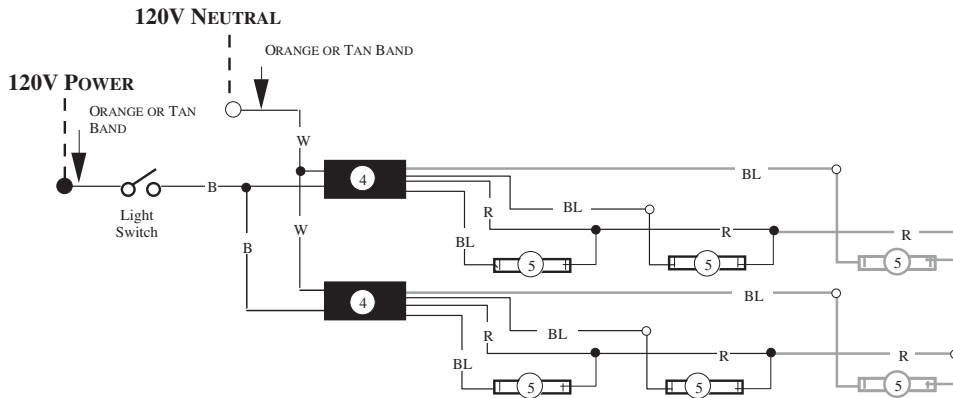
● = 120V POWER ○ = 120V NEUTRAL ≡ = FIELD GROUND ≡≡ = CASE GROUND

Light Circuits

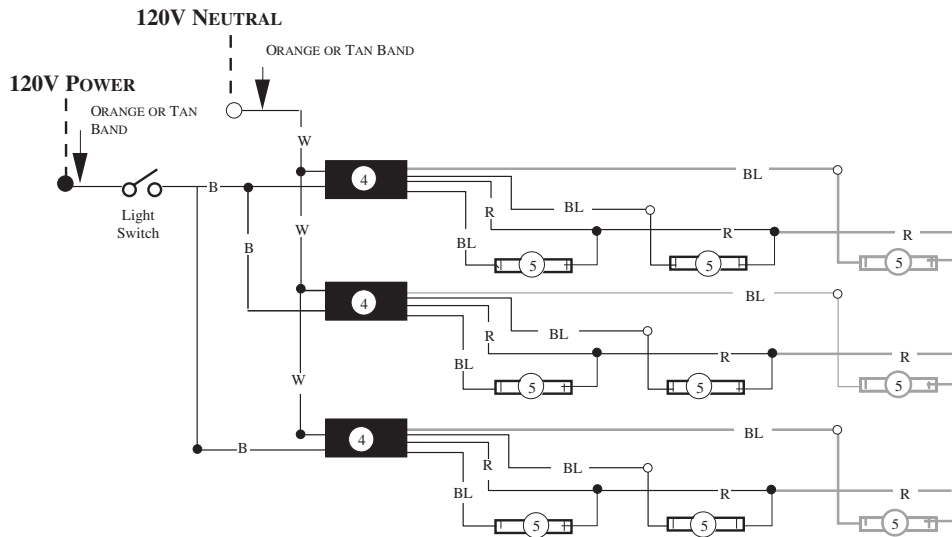
Standard Lighting 1 Row Canopy or Optional 1 Row Rail



Optional Lighting 2 Rows Canopy



Optional Lighting 3 Row Canopy



WARNING

All components must have mechanical ground, and the merchandiser must be grounded.

CIRCLED NUMBERS = PARTS LIST ITEM NUMBERS

Grayed components in 12 foot models only.

R = Red Y = Yellow G = Green BL = Blue B = Black W = White

● = 120V POWER ○ = 120V NEUTRAL