

Item	Part #	Description	Wiring Item #	Item	Part #	Description	Wiring Item #
<b>FAN ASSEMBLIES AND THERMOSTATS</b>				<b>LAMPS AND BALLASTS</b>			
A.	<b>9W Fan Assembly</b>		(1)	D.	0376409	Ballast, Electronic <b>2 lamps</b>	(4)
	0047000	Fan Motor, Evaporator		D.	0376410	Ballast, Electronic <b>3 lamps</b>	(4)
	0315470	Fan Blade embossing toward motor		E.		Fluorescent Lamp <i>Replace with like fixtures</i>	(5)
B.	<u>0411744</u>	Standard Non-adjustable Defrost Thermostat	(2)				
C.	0137880	Optional Adjustable Refrigeration Thermostat	(3)				

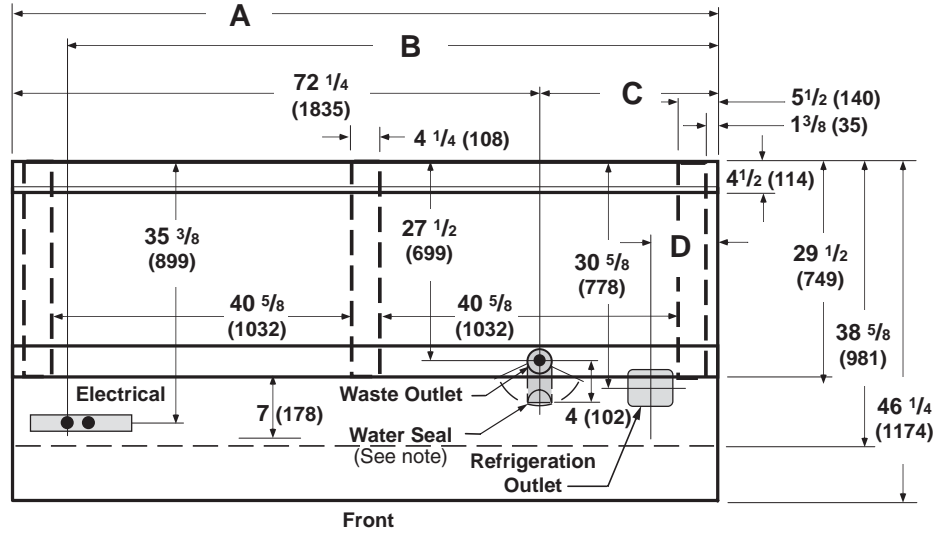
**Note: Changed items have been underlined.**

# Engineering Plan Views

Dimensions shown as in. and (mm).

## Dairy & Delicatessen

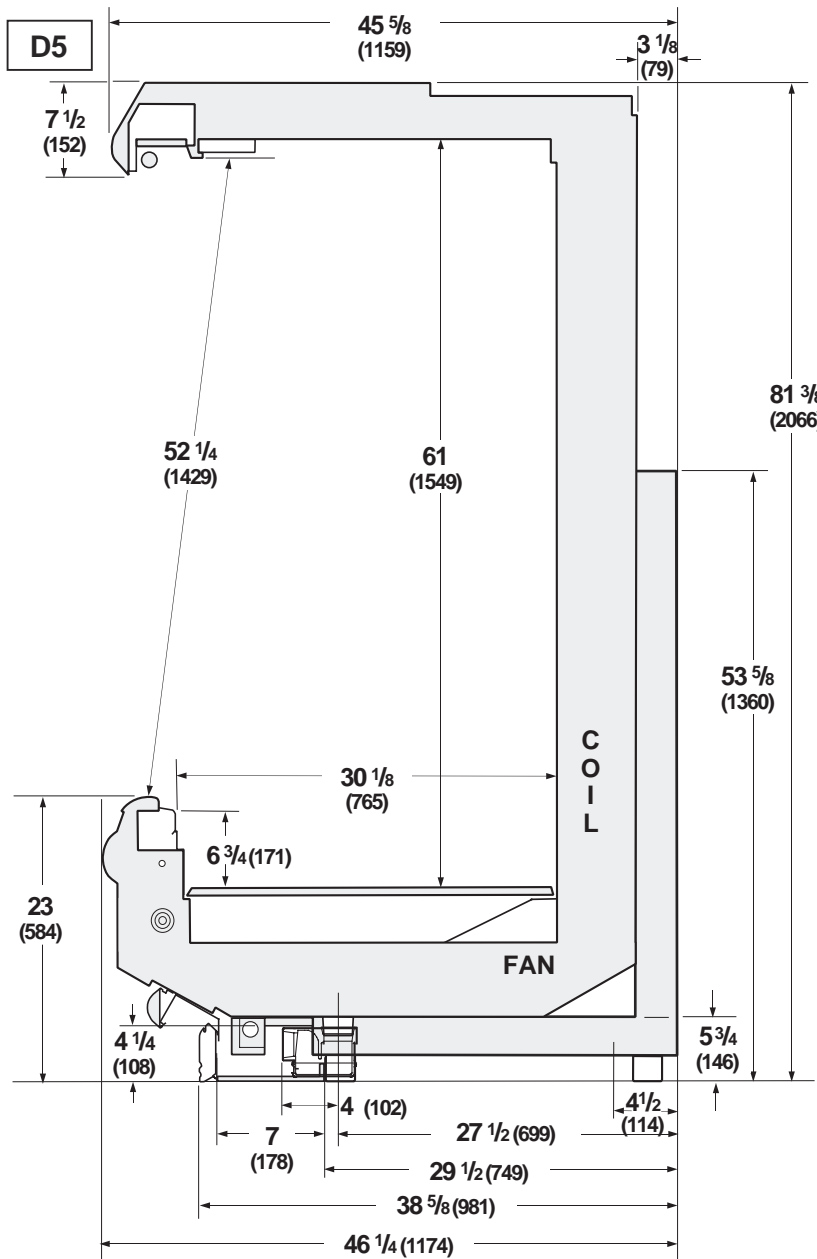
05-2003



General	8 ft	12 ft
<b>(A)</b> Case Length ( <i>without ends or partitions</i> )	96 3/8 (2448)	144 1/2 (3670)
Maximum O/S dimension of case back to front ( <i>includes bumper</i> )	46 1/4 (1174)	46 1/4 (1174)
Back of case to front of splashguard	38 5/8 (981)	38 5/8 (981)
Back of case to O/S edge of front skid rail	29 1/2 (749)	29 1/2 (749)
Width of skid rail	4 1/2 (114)	4 1/2 (114)
RH end of case to outside edge of external support	5 1/2 (140)	5 1/2 (140)
Distance between edges of external support and center support	40 5/8 (1032)	40 5/8 (1032)
Distance between edges of center supports	NA	44 (1118)
Stub-up area between front skid rail and splashguard	7 (178)	7 (178)
<b>Electrical Service</b> ( <i>Electrical Field Wiring connection point</i> )		
<b>(B)</b> RH End of case to center of farthest knockout	88 3/8 (2245)	136 1/2 (3467)
Back of case to center of knockout	35 3/8 (899)	35 3/8 (899)
Length of electrical raceway	34 5/8 (878)	34 5/8 (878)
<b>Waste Outlet</b>		
<b>(C)</b> RH End of case to the center of waste outlet	24 1/8 (613)	72 1/4 (1835)
LH End of case to the center of waste outlet	72 1/4 (1835)	72 1/4 (1835)
Back O/S of case to center of waste outlet	27 1/2 (699)	27 1/2 (699)
<b>Water Seal</b>		
Edge of water seal to center of waste outlet	4 (102)	4 (102)
Outside diameter of the drip pipe	1 1/2 (38)	1 1/2 (38)
<i>NOTE: Water seal outlet must clear front skid rail; water seal rotation in forward direction only due to low base.</i>		
<b>Refrigeration Outlet</b>		
Back of case to center of refrigeration outlet	30 5/8 (778)	30 5/8 (778)
<b>(D)</b> RH end of case to center of refrigeration outlet	9 (230)	9 (230)

**Impact D5**  
**Dairy & Delicatessen**

Dimensions shown as in. and (mm).



**NOTE:** The bumpers are 4 in. (102 mm) wide. The center of the top bumper is 18 1/8 in. (460 mm) from the floor and the center of the lower bumper is 6 1/8 in. (155 mm) from the floor.

**NSF Certification**

These merchandisers are manufactured to meet ANSI /National Sanitation Foundation (NSF®) Standard #7 requirements.

**REFRIGERATION DATA**

**Note:** This data is based on store temperature and humidity that does not exceed 75°F and 55% R.H.

	D5	D5E
<b>Discharge Air °F</b>	31	32
<b>Evaporator °F</b>	21	24
<b>Unit Sizing °F</b>	19	22
<b>Btu/hr/ft*</b>	D5	D5E
<b>LIT &amp; UNLIT SHELVES</b>		
<b>Parallel</b>	1410	1355
<b>Conventional</b>	1500	1440
<b>HUSSMANN PEG SHELVES (DELI ONLY)</b>		
<b>Parallel</b>	1530	1475
<b>Conventional</b>	1620	1560

\*For all refrigeration equipment other than Hussmann, use conventional Btu values.

**DEFROST DATA**

<b>Frequency Hrs</b>	6	6
<b>Defrost Water (lb/ft/day)</b>	10.50	
(± 15% based on case configuration and product loading).		
<b>OFFTIME</b>	D5	D5E
<b>Temp Term °F</b>	48	48
<b>Failsafe Minutes</b>	30	35

**ELECTRIC OR GAS** Not Recommended

**Standard Defrost Thermostat**

Close on rise: close 48°F — open 33°F

**CONVENTIONAL CONTROLS**

**Low Pressure Backup Control**

C/CO**	D5	D5E
	14°F / 5°F	17°F / 7°F

**Indoor Unit Only, Pressure Defrost**

**Termination\*\*** 48°F

\*\*Use a Temperature Pressure Chart to determine PSIG conversions.

**PHYSICAL DATA**

Merchandiser Drip Pipe (in.)	1 1/2
Merchandiser Liquid Line (in.)	3/8
Merchandiser Suction Line (in.)	7/8

**Estimated Charge (lb)\*\*\***

	D5	D5E
<b>8 ft</b>	2.3	2.7
<b>12 ft</b>	3.3	3.9

\*\*\*This is an average for all refrigerant types.

Actual refrigerant charge may vary by approximately half a pound.

**Length Added to Lineup by**

<b>Each End (in.)</b>	1 1/2
<b>Each Insulated Partition (in.)</b>	1 1/2

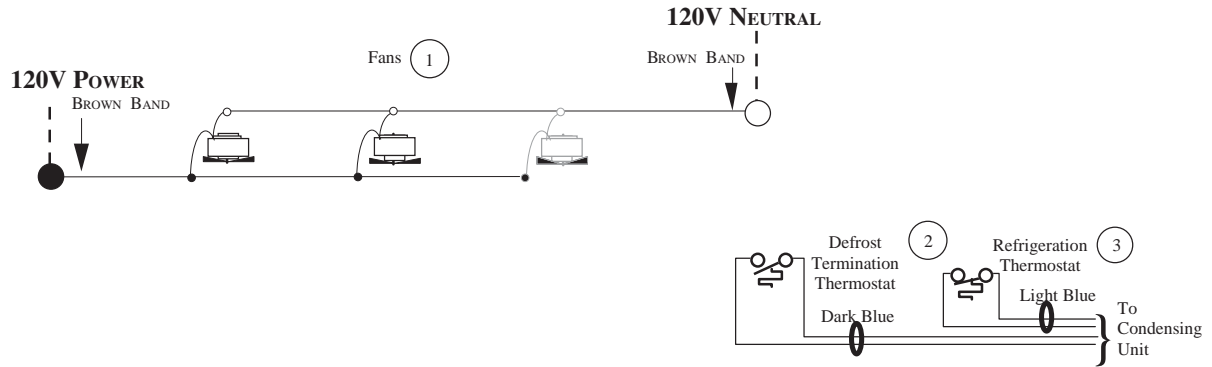
<b>Impact D5</b> <b>Dairy &amp; Delicatessen</b>
---

### Electrical Data

<b>Number of Fans</b>	<b>8 ft</b>	<b>12 ft</b>		
<b>Refrigeration – 9W</b>	<b>2</b>	<b>3</b>		
<b>Export – 9W</b>	<b>2</b>	<b>3</b>		
	<b>Amperes</b>		<b>Watts</b>	
<b>Merchandiser</b>	<b>8 ft</b>	<b>12 ft</b>	<b>8 ft</b>	<b>12 ft</b>
<b>Fans (Refrigeration)</b>				
Standard (120V 60Hz)	1.40	2.10	<u>105</u>	<u>160</u>
Energy Efficient (120V 60Hz)	<u>0.76</u>	<u>1.14</u>	<u>50</u>	<u>75</u>
Export (230V 50Hz)	<u>0.76</u>	<u>1.14</u>	<u>114</u>	<u>171</u>
<b>Constant On Anti-sweat Heaters</b>	NA	NA	NA	NA
<b>Cycling Anti-sweat Heaters</b>	NA	NA	NA	NA
<b>Minimum Circuit Ampacity</b>				
With Standard Fans (120V 60Hz)	1.60	2.30		
With Energy Efficient Fans (120V 60Hz)	<u>0.96</u>	<u>1.34</u>		
With Export Fans (230V 50Hz)	<u>0.96</u>	<u>1.34</u>		
<b>Maximum Over Current Protection 120V</b>	<b>20</b>	<b>20</b>		
Export (230V 50Hz)	<u>15</u>	<u>15</u>		
<b>Electric Defrost Heaters (208V 1Φ)</b>	NA	NA	NA	NA
<b>Gas Defrost Heaters (208V)</b>	NA	NA	NA	NA
<b>Standard Lighting</b>	<b>8 ft</b>	<b>12 ft</b>	<b>8 ft</b>	<b>12 ft</b>
1 Row Canopy	0.51	0.77	59	85
<b>Optional Lighting</b>				
1 Row Canopy and 1 Row Rail	1.02	1.54	118	170
2 Rows Canopy	1.02	1.54	118	170
2 Rows Canopy and 1 Row Rail	1.53	2.31	177	255
<b>Optional Shelf Lighting</b>				
1 Row Shelves	0.51	0.77	59	85
2 Rows of Shelves	1.02	1.54	118	170
3 Rows of Shelves	1.53	2.31	177	255
4 Rows of Shelves	2.04	3.08	236	340

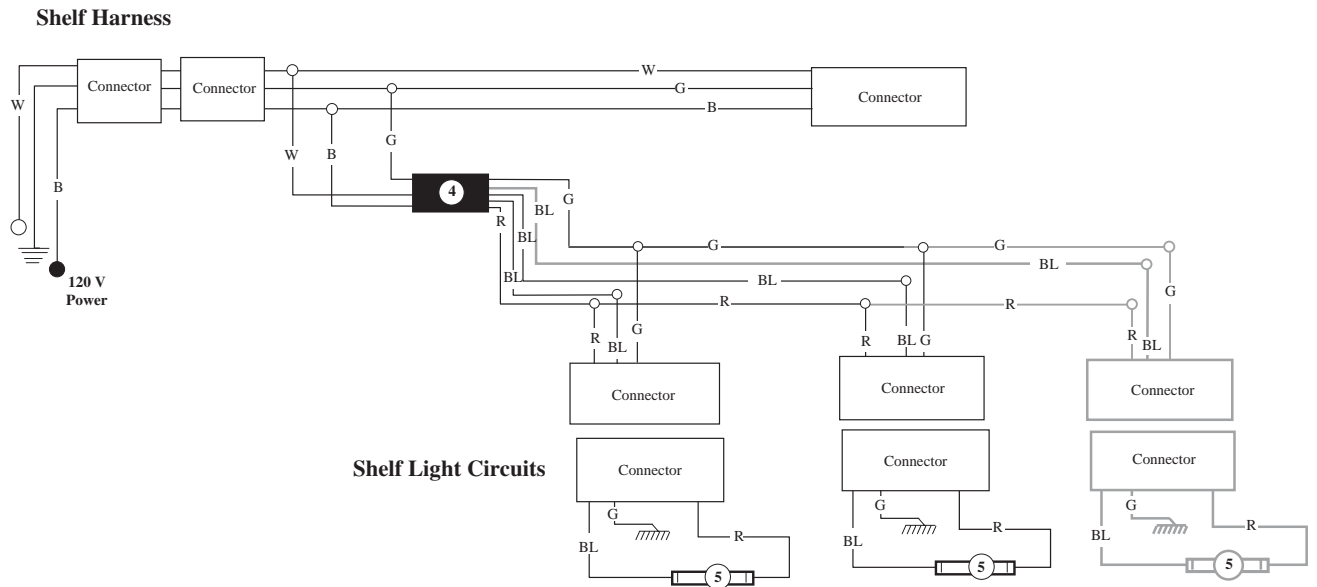
# Fan Wiring Offtime Defrost

## 2 & 3 Fans



## Optional Shelf Harness and Light Circuits for One Row of Shelves

# Shelf Lighting



### WARNING

All components must have mechanical ground, and the merchandiser must be grounded.

CIRCLED NUMBERS = PARTS LIST ITEM NUMBERS

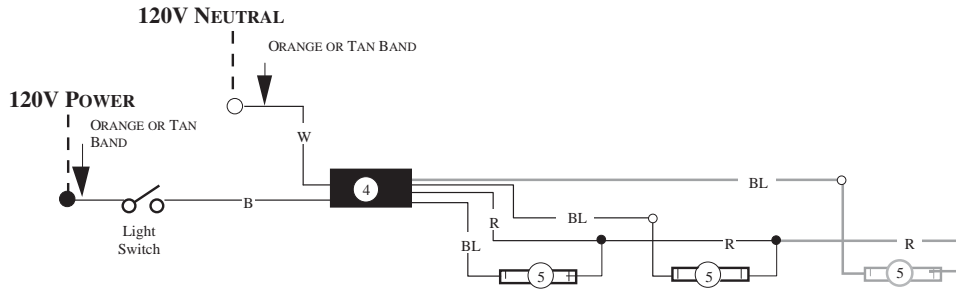
Grayed components in 12 foot models only.

R = Red Y = Yellow G = Green BL = Blue B = Black W = White

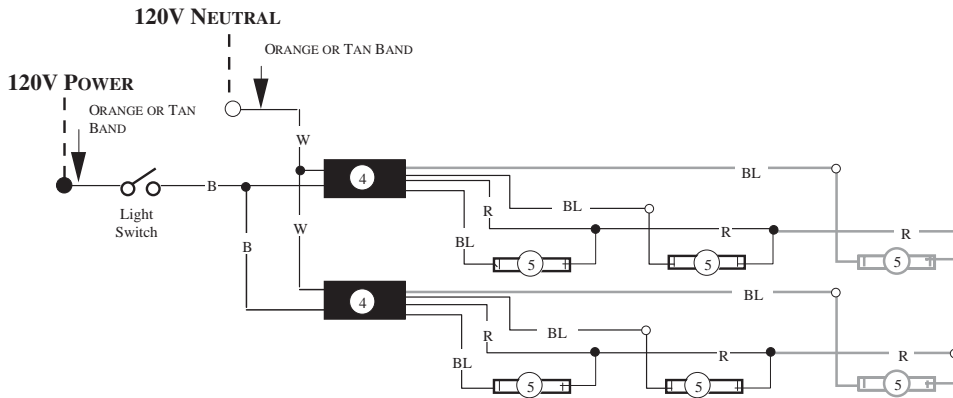
● = 120V POWER ○ = 120V NEUTRAL ≡ = FIELD GROUND ≡≡ = CASE GROUND

# Light Circuits

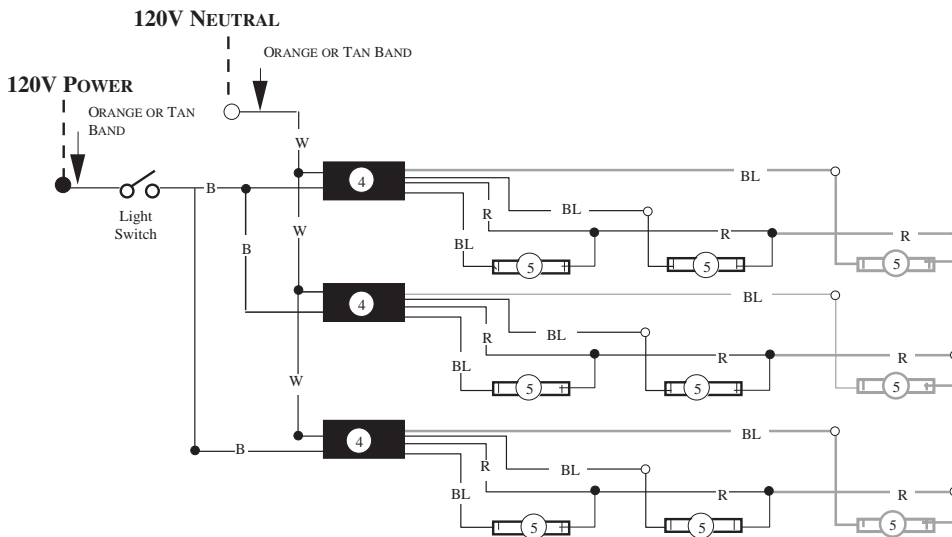
## Standard Lighting 1 Row Canopy or Optional 1 Row Rail



## Optional Lighting 2 Rows Canopy



## Optional Lighting 3 Row Canopy



### WARNING

All components must have mechanical ground, and the merchandiser must be grounded.

CIRCLED NUMBERS = PARTS LIST ITEM NUMBERS

Grayed components in 12 foot models only.

R = Red Y = Yellow G = Green BL = Blue B = Black W = White

● = 120V POWER ○ = 120V NEUTRAL