

Item	Part #	Description	Wiring Item #	Item	Part #	Description	Wiring Item #
FAN ASSEMBLIES AND THERMOSTATS				LAMPS AND BALLASTS			
A.	9W Fan Assembly		(1)	D.	0376409	Ballast, Electronic 2 lamps	(4)
	0047000	Fan Motor, Evaporator		D.	0376410	Ballast, Electronic 3 lamps	(4)
	<u>0435961</u>	Fan Blade embossing toward motor		D.	0376411	Ballast, Electronic 4 lamps	(4)
B.	<u>0411744</u>	Standard Non-adjustable Defrost Thermostat	(2)	E.		Fluorescent Lamp <i>Replace with like fixtures</i>	(5)
C.	0137880	Optional Adjustable Refrigeration Thermostat	(3)				

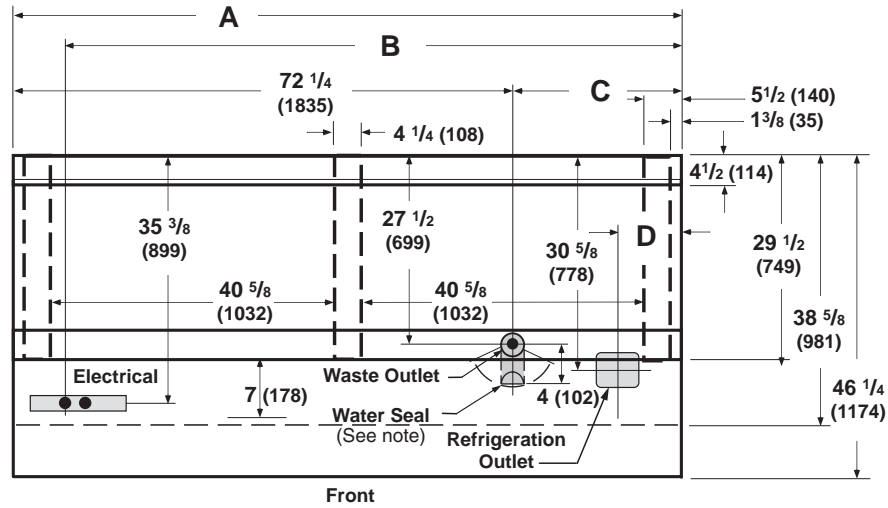
Note: Changed items have been underlined.

Engineering Plan Views

Dimensions shown as in. and (mm).

Dairy & Delicatessen

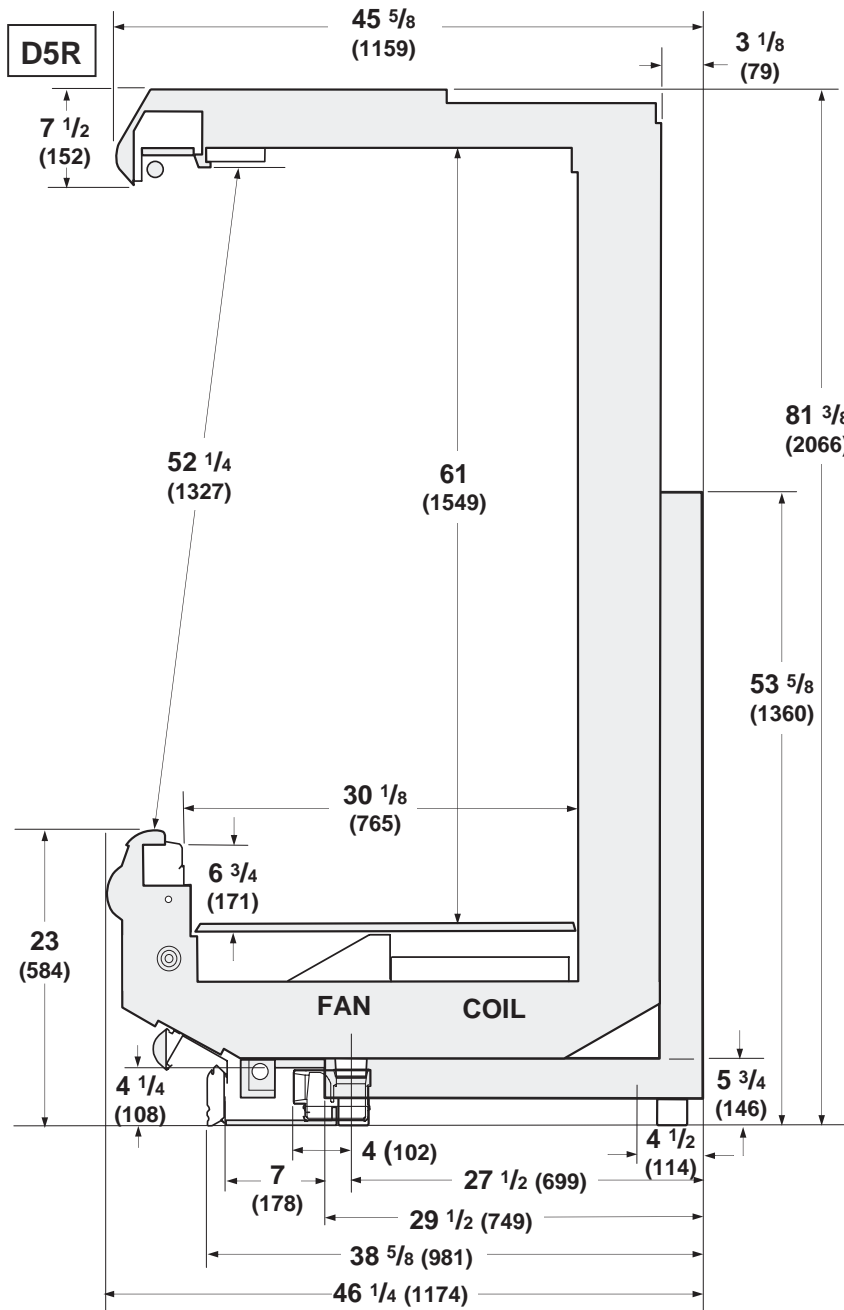
05-2003



General	8 ft	12 ft
(A) Case Length <i>(without ends or partitions)</i>	96 ³ / ₈ (2448)	144 ¹ / ₂ (3670)
Maximum O/S dimension of case back to front <i>(includes bumper)</i>	46 ¹ / ₄ (1174)	46 ¹ / ₄ (1174)
Back of case to front of splashguard	38 ⁵ / ₈ (981)	38 ⁵ / ₈ (981)
Back of case to O/S edge of front skid rail	29 ¹ / ₂ (749)	29 ¹ / ₂ (749)
Width of skid rail	4 ¹ / ₂ (114)	4 ¹ / ₂ (114)
RH end of case to outside edge of external support	5 ¹ / ₂ (140)	5 ¹ / ₂ (140)
Distance between edges of external support and center support	40 ⁵ / ₈ (1032)	40 ⁵ / ₈ (1032)
Distance between edges of center supports	NA	44 (1118)
Stub-up area between front skid rail and splashguard	7 (178)	7 (178)
Electrical Service <i>(Electrical Field Wiring connection point)</i>		
(B) RH End of case to center of farthest knockout	88 ³ / ₈ (2245)	136 ¹ / ₂ (3467)
Back of case to center of knockout	35 ³ / ₈ (899)	35 ³ / ₈ (899)
Length of electrical raceway	34 ⁵ / ₈ (878)	34 ⁵ / ₈ (878)
Waste Outlet		
(C) RH End of case to the center of waste outlet	24 ¹ / ₈ (613)	72 ¹ / ₄ (1835)
LH End of case to the center of waste outlet	72 ¹ / ₄ (1835)	72 ¹ / ₄ (1835)
Back O/S of case to center of waste outlet	27 ¹ / ₂ (699)	27 ¹ / ₂ (699)
Water Seal		
Edge of water seal to center of waste outlet	4 (102)	4 (102)
Outside diameter of the drip pipe	1 ¹ / ₂ (38)	1 ¹ / ₂ (38)
<i>NOTE: Water seal outlet must clear front skid rail; water seal rotation in forward direction only due to low base.</i>		
Refrigeration Outlet		
Back of case to center of refrigeration outlet	30 ⁵ / ₈ (778)	30 ⁵ / ₈ (778)
(D) RH end of case to center of refrigeration outlet	9 (230)	9 (230)

Multi-deck, 5 Display Levels and Sliding Rear Door

Dimensions shown as in. and (mm).



NOTE: The bumpers are 4 in. (102 mm) wide. The center of the top bumper is 18 1/8 in. (460 mm) from the floor and the center of the lower bumper is 6 1/8 in. (155 mm) from the floor.

NSF Certification

These merchandisers are manufactured to meet ANSI /National Sanitation Foundation (NSF®) Standard #7 requirements.

Impact D5R
Dairy & Delicatessen

REFRIGERATION DATA

Note: This data is based on store temperature and humidity that does not exceed 75°F and 55% R.H.

	D5R	D5RE
Discharge Air °F	31	32
Evaporator °F	21	24
Unit Sizing °F	19	22

<i>Btu/hr/ft*</i>	D5R	D5RE
-------------------	-----	------

LIT & UNLIT SHELVES

	D5R	D5RE
Parallel	1560	1500
Conventional	1660	1595

HUSSMANN PEG SHELVES (DELI ONLY)

	D5R	D5RE
Parallel	1680	1620
Conventional	1780	1715

*For all refrigeration equipment other than Hussmann, use conventional Btu values.

DEFROST DATA

Frequency Hrs	D5R	D5RE
	6	6

Defrost Water (lb/ft/day) 10.50
(± 15% based on case configuration and product loading).

<i>OFFTIME</i>	D5R	D5RE
Temp Term °F	48	48
Failsafe Minutes	30	35

ELECTRIC OR GAS Not Recommended

Standard Defrost Thermostat

Close on rise: close 48°F — open 33°F

CONVENTIONAL CONTROLS

Low Pressure Backup Control

<i>CI/CO**</i>	D5R	D5RE
	14°F / 4°F	17°F / 7°F

Indoor Unit Only, Pressure Defrost Termination**

48°F

**Use a Temperature Pressure Chart to determine PSIG conversions.

PHYSICAL DATA

Merchandiser Drip Pipe (in.)	1 1/2
Merchandiser Liquid Line (in.)	3/8
Merchandiser Suction Line (in.)	7/8

Estimated Charge (lb)***

	D5R	D5RE
8 ft	2.3	2.7
12 ft	3.3	3.9

***This is an average for all refrigerant types. Actual refrigerant charge may vary by approximately half a pound.

Length Added to Lineup by

Each End (in.)	1 1/2
Each Insulated Partition (in.)	1 1/2

Impact D5R Dairy & Delicatessen
--

Electrical Data

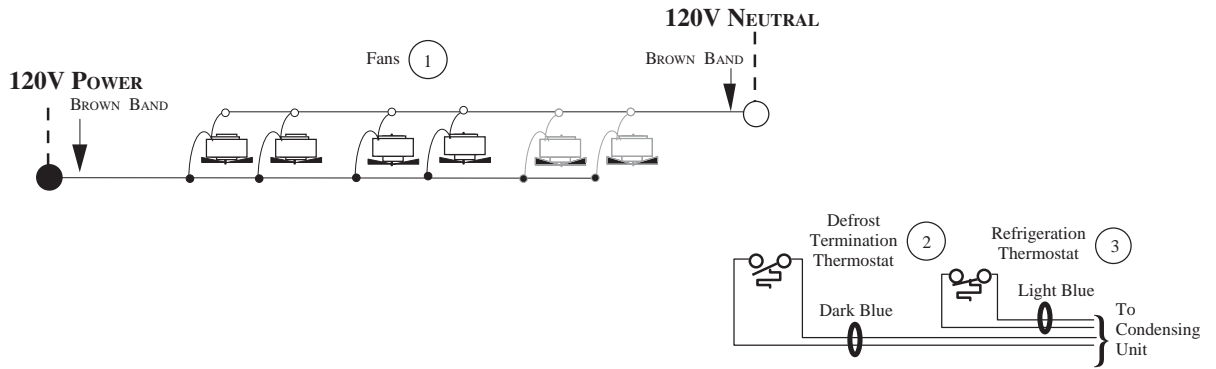
Number of Fans	8 ft	12 ft
Refrigeration – 9W	4	6
Export – 9W	4	6

	Amperes		Watts	
	8 ft	12 ft	8 ft	12 ft
Merchandiser				
Fans (Refrigeration)				
Standard (120V 60Hz)	2.80	4.20	<u>210</u>	<u>320</u>
Energy Efficient (120V 60Hz)	<u>1.52</u>	<u>2.28</u>	<u>100</u>	<u>150</u>
Export (230V 50Hz)	<u>1.52</u>	<u>2.28</u>	<u>228</u>	<u>342</u>
Constant On Anti-sweat Heaters	NA	NA	NA	NA
Cycling Anti-sweat Heaters	NA	NA	NA	NA
Minimum Circuit Ampacity				
With Standard Fans (120V 60Hz)	3.00	4.40		
With Energy Efficient Fans (120V 60Hz)	<u>1.72</u>	<u>2.48</u>		
With Export Fans (230V 50Hz)	<u>1.72</u>	<u>2.48</u>		
Maximum Over Current Protection 120V	20	20		
Export (230V 50Hz)	<u>15</u>	<u>15</u>		
Electric Defrost Heaters (208V 1Φ)	NA	NA	NA	NA
Gas Defrost Heaters (208V)	NA	NA	NA	NA
Standard Lighting	8 ft	12 ft	8 ft	12 ft
1 Row Canopy	0.51	0.77	59	85
Optional Lighting				
1 Row Canopy and 1 Row Rail	1.02	1.54	118	170
2 Rows Canopy	1.02	1.54	118	170
2 Rows Canopy and 1 Row Rail	1.53	2.31	177	255
3 Rows Canopy	1.53	2.31	177	255
3 Rows Canopy and 1 Row Rail	2.04	3.08	236	340
Optional Shelf Lighting				
4 Rows of Shelves	1.84	2.76	224	336

NOTE: 8 foot merchandiser has two columns of four rows of lighted shelves and
12 foot merchandiser has three columns of four rows of lighted shelves.

Fan Wiring Offtime Defrost

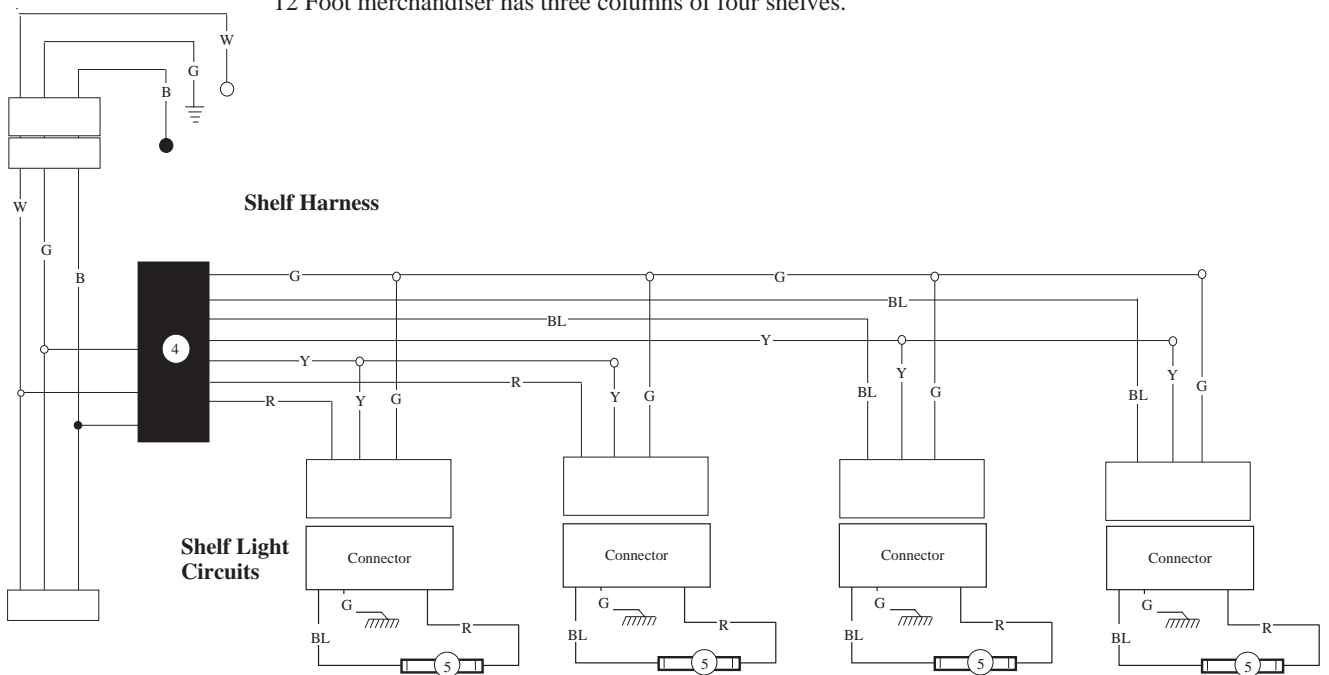
4 & 6 Fans



Optional Shelf Harness and Light Circuits for One Column of Four Lighted Shelves

Rear Door Dairy Shelf Lighting

Note: 8 Foot merchandiser has two columns of four shelves and 12 Foot merchandiser has three columns of four shelves.



WARNING

All components must have mechanical ground, and the merchandiser must be grounded.

CIRCLED NUMBERS = PARTS LIST ITEM NUMBERS

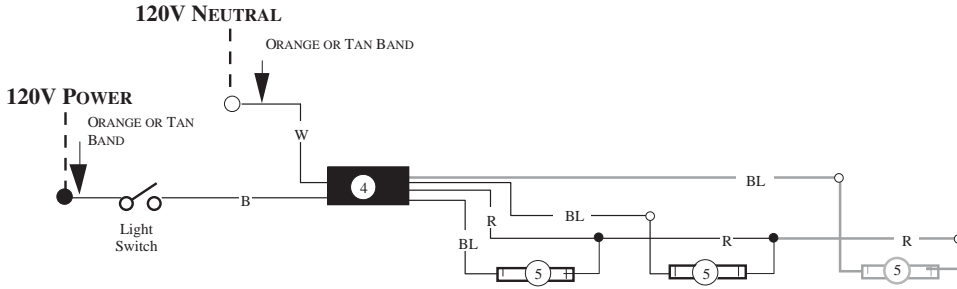
Grayed components in 12 foot models only.

R = Red Y = Yellow G = Green BL = Blue B = Black W = White

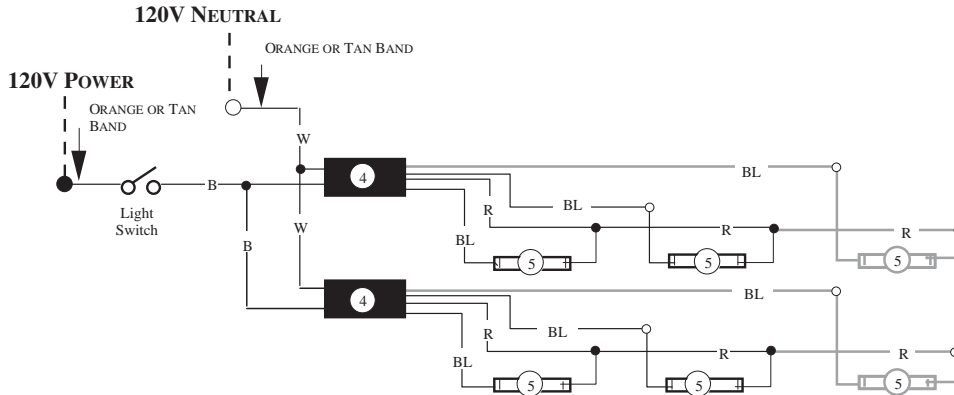
● = 120V POWER ○ = 120V NEUTRAL ≡ = FIELD GROUND ≡ = CASE GROUND

Light Circuits

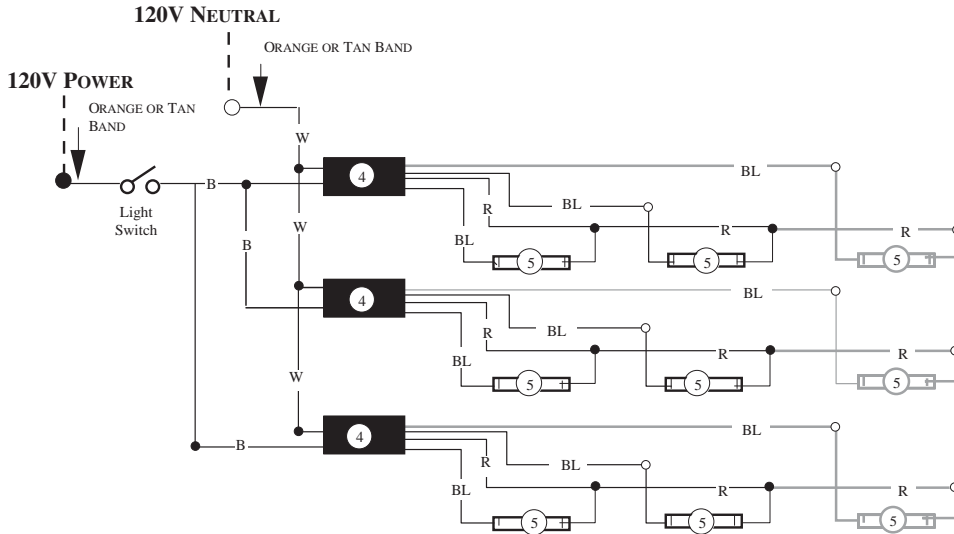
Standard Lighting 1 Row Canopy or Optional 1 Row Rail



Optional Lighting 2 Rows Canopy



Optional Lighting 3 Row Canopy



WARNING

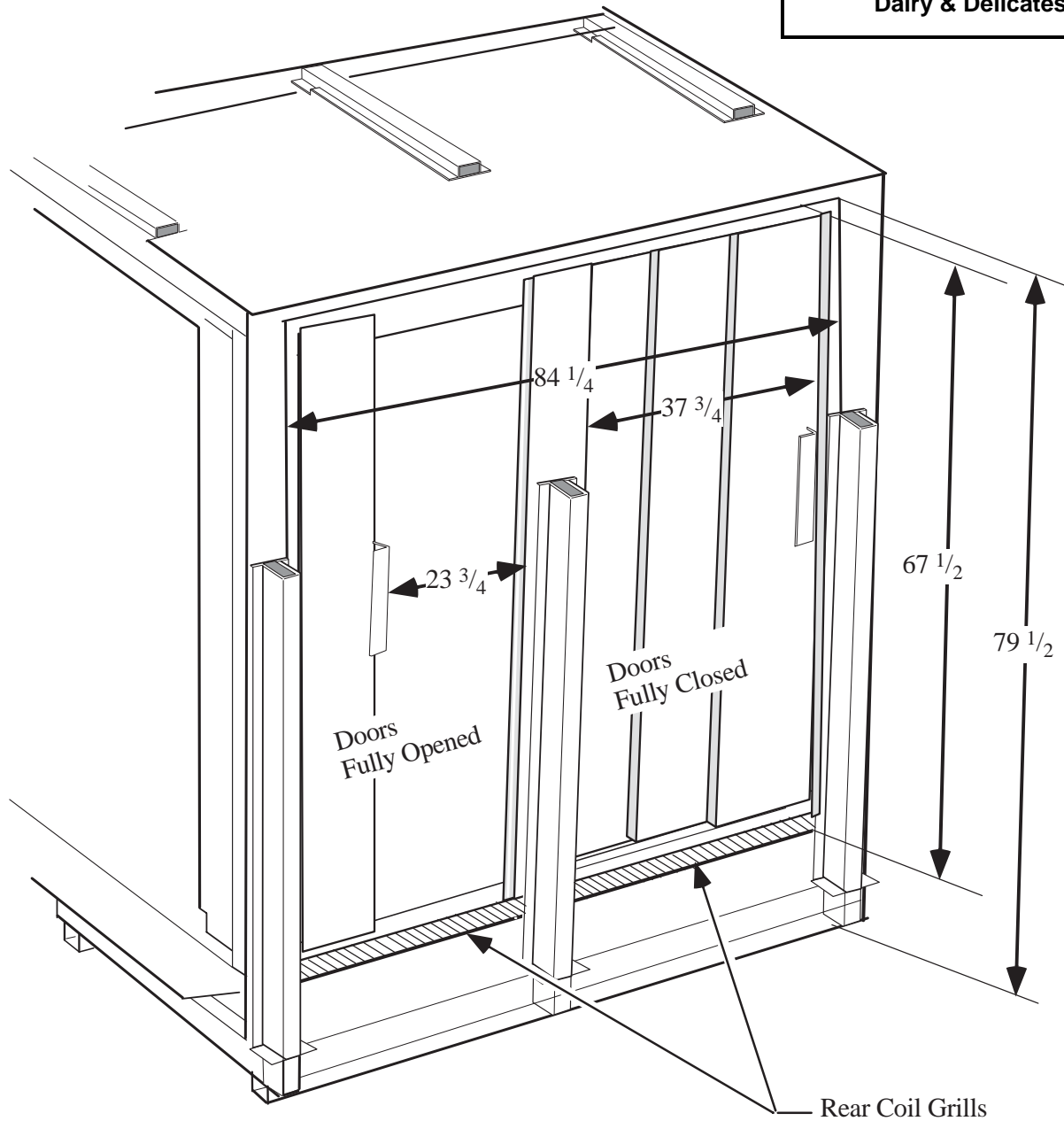
All components must have mechanical ground, and the merchandiser must be grounded.

CIRCLED NUMBERS = PARTS LIST ITEM NUMBERS

Grayed components in 12 foot models only.

R = Red Y = Yellow G = Green BL = Blue B = Black W = White

● = 120V POWER ○ = 120V NEUTRAL

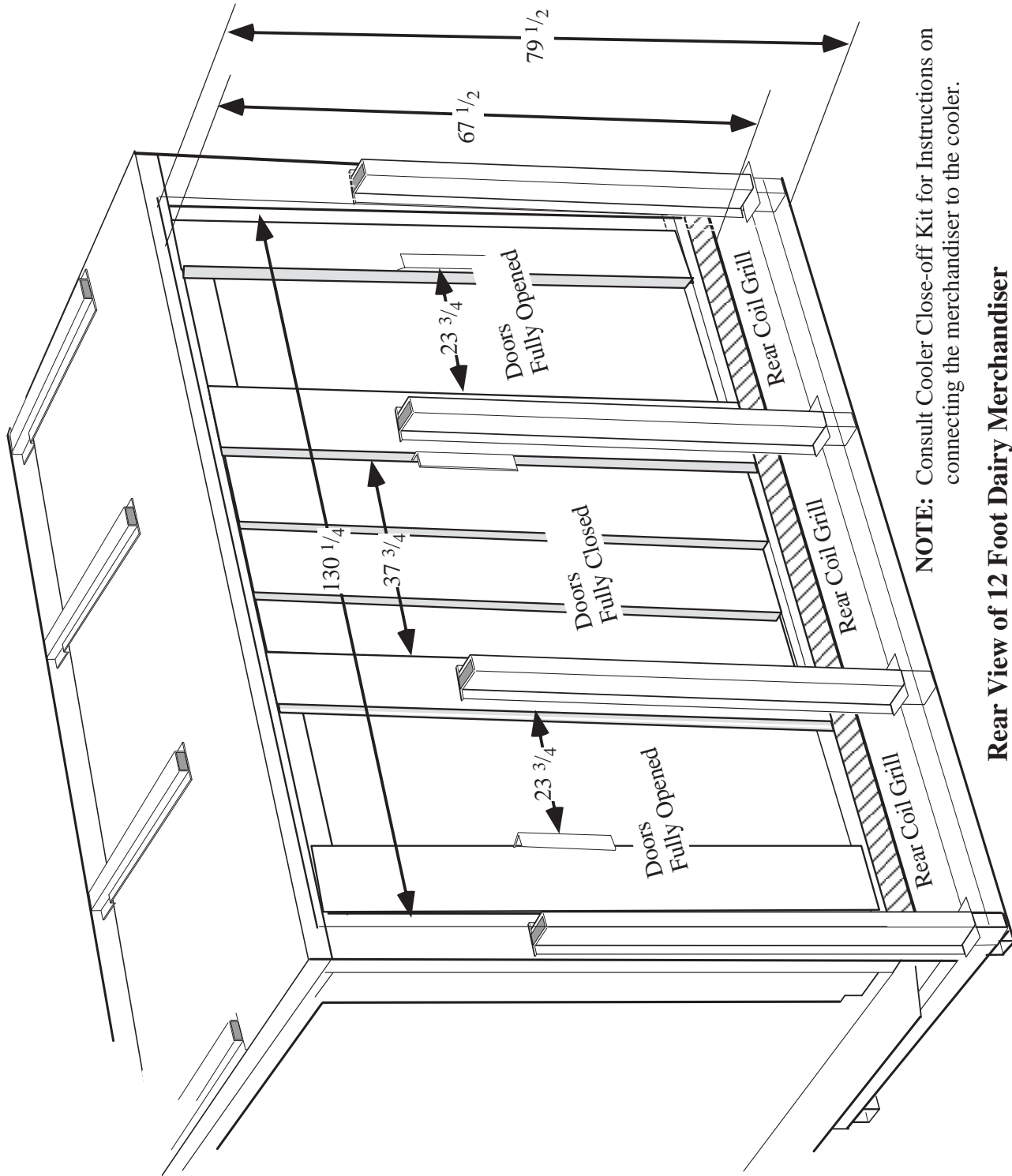


Rear View of 8 Foot Dairy Merchandiser

Double-walled telescoping doors slide both left and right.

NOTE: Consult Cooler Close-off Kit for instructions on connecting the merchandiser to the cooler.

Impact D5R
Dairy & Delicatessen



NOTE: Consult Cooler Close-off Kit for Instructions on connecting the merchandiser to the cooler.

Rear View of 12 Foot Dairy Merchandiser

Double-walled telescoping doors slide both left and right.