

We reserve the right to change or revise specifications and product design in connection with any feature of our products. Such changes do not entitle the buyer to corresponding changes, improvements, additions or replacements for equipment previously sold or shipped.

Item	Part #	Description	Wiring Item #	Item	Part #	Description	Wiring Item #
<b>FAN ASSEMBLIES AND THERMOSTATS</b>				<b>LAMPS AND BALLASTS</b>			
A.	<b>6W Fan Assembly</b>		(1)	D.	0428648	Ballast, Electronic <b>2 lamps</b>	(4)
	0058698	Fan Motor, Evaporator		D.	0428649	Ballast, Electronic <b>3 lamps</b>	(4)
	0142780	Fan Blade embossing toward motor		E.		Fluorescent Lamp <i>Replace with like fixtures</i>	(5)
B.	0411744	Standard Non-adjustable Defrost Thermostat	(2)				
C.	0137880	Optional Adjustable Refrigeration Thermostat	(3)				

**The M2 has been discontinued.**

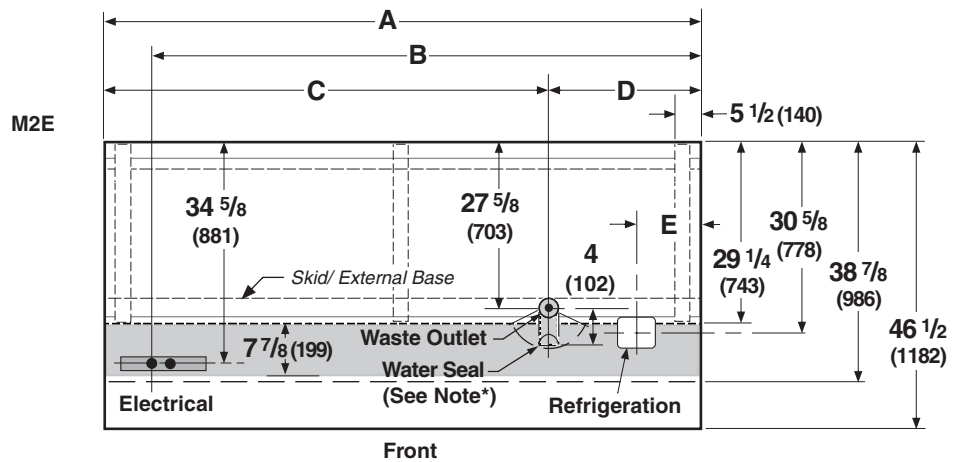
**Note: Changed items have been underlined.**

# Engineering Plan Views

Dimensions shown as inches and (mm).

## Meat, Delicatessen and Precut Produce

09-2003

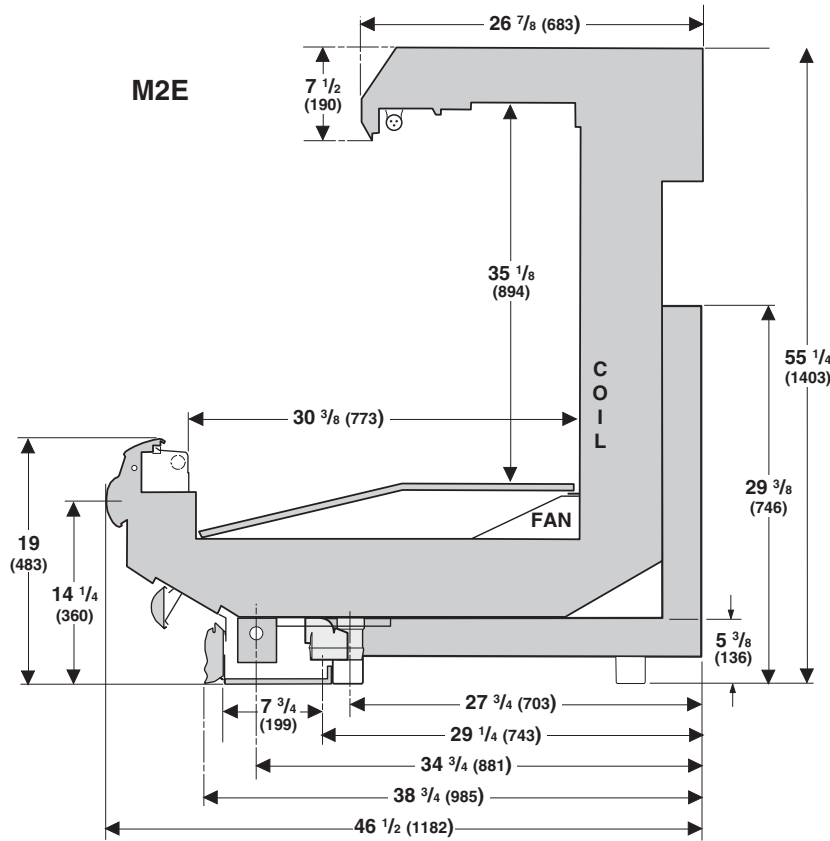


General	8 ft	12 ft
<b>(A)</b> Case Length ( <i>without ends or partitions</i> )	96 3/8 (2448)	144 1/2 (3670)
Maximum outside dimension of case back to front ( <i>includes bumper</i> )	46 1/2 (1182)	46 1/2 (1182)
Back of case to front of splash guard	38 7/8 (986)	38 7/8 (986)
Back of case to outside edge of front skid rail	29 1/4 (743)	29 1/4 (743)
Width of skid rail	4 1/2 (114)	4 1/2 (114)
Right-hand end of case to inside edge of external support	5 1/2 (140)	5 1/2 (140)
Distance between edges of external support and center support	40 5/8 (1032)	40 5/8 (1032)
Distance between edges of center supports	NA	44 (1118)
Stub-up area between front skid rail and splash guard	7 7/8 (199)	7 7/8 (199)
<b>Electrical Service</b> ( <i>Electrical Field Wiring connection point</i> )		
<b>(B)</b> Right-hand end of case to center of farthest knockout	88 3/8 (2245)	136 1/2 (3467)
Back outside of case to center of knockout	34 5/8 (881)	34 5/8 (881)
Length of electrical raceway	34 1/2 (878)	34 1/2 (878)
<b>Waste Outlet</b>		
<b>(C)</b> Left-hand end of case to the center of waste outlet	72 1/4 (1835)	72 1/4 (1835)
<b>(D)</b> Right-hand end of case to the center of waste outlet	24 1/8 (613)	72 1/4 (1835)
Back outside of case to center of waste outlet	27 5/8 (702)	27 5/8 (702)
<b>Water Seal</b>		
Edge of water seal to center of waste outlet	4 (102)	4 (102)
Outside diameter of the drip pipe	1 1/2 (38)	1 1/2 (38)
<b>*Note:</b> <i>Water seal outlet must clear front skid rail.</i>		
<i>M2 &amp; M2G water seal rotation in forward direction only, due to low base.</i>		
<b>Refrigeration Outlet</b>		
<b>(E)</b> Right-hand end of case to center of refrigeration outlet	9 (230)	9 (230)
Back of case to center of refrigeration outlet	30 5/8 (778)	30 5/8 (778)

**The M2 has been discontinued.**

**Impact M2E  
Meat, Delicatessen,  
and Pre-cut Produce**

Dimensions shown as inches and (mm).



**REFRIGERATION DATA**

**Note:** This data is based on store temperature and humidity that does not exceed 75°F and 55% R.H.

<b>Discharge Air (°F)</b>	M2E 29
<b>Evaporator (°F)</b>	21
<b>Unit Sizing (°F)</b>	19

<b>Btu/hr/ft*</b>	M2E
<b>Parallel</b>	1055
<b>Conventional</b>	1135

\*For all refrigeration equipment other than Hussmann, use conventional Btu values.

**DEFROST DATA**

<b>Frequency (hr)</b>	M2E 6
<b>Defrost Water (lb/ft/day)</b>	6
( $\pm 15\%$ based on case configuration and product loading).	

<b>OFF TIME</b>	M2E
<b>Temp Term (°F)</b>	48°F
<b>Failsafe (minutes)</b>	30

**ELECTRIC OR GAS** Not Recommended

**Standard Defrost Thermostat**  
Close on rise: close 48°F — open 33°F

**CONVENTIONAL CONTROLS**

<b>Low Pressure Backup Control</b>	M2E
<b>CI/CO**</b>	14°F / 4°F

**Indoor Unit Only, Pressure Defrost Termination\*\*** 48°F

\*\*Use a Temperature Pressure Chart to determine PSIG conversions.

**PHYSICAL DATA**

Merchandiser Drip Pipe (in.)	1 1/2
Merchandiser Liquid Line (in.)	3/8
Merchandiser Suction Line (in.)	7/8

<b>Estimated Charge (lb)***</b>	
<b>8 ft</b>	2.3
<b>12 ft</b>	3.3

\*\*\*This is an average for all refrigerant types. Actual refrigerant charge may vary by approximately half a pound.

**Length (in.) added to Lineup by Each End or Insulated Partition** 1 1/2

**NSF Certification**

These merchandisers are manufactured to meet ANSI /National Sanitation Foundation (NSF®) Standard #7 requirements.

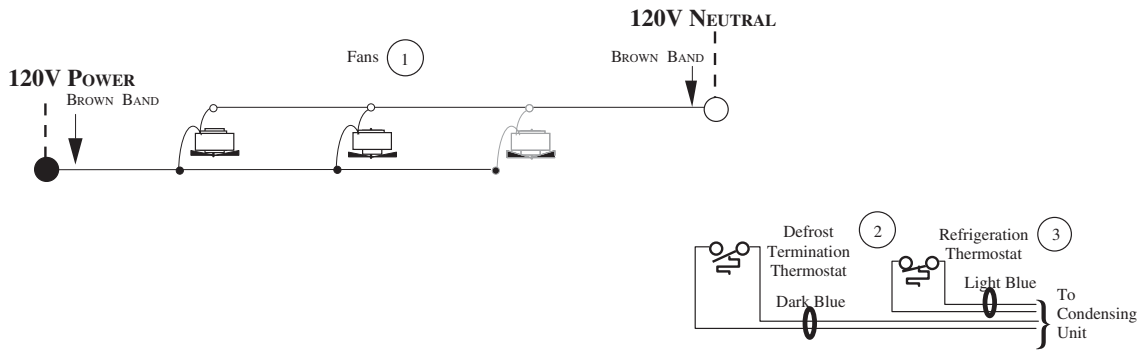
<b>Impact M2E</b> <b>Meat, Delicatessen and</b> <b>Pre-cut Produce</b>
--

## Electrical Data

	<b>8 ft</b>	<b>12 ft</b>		
<b>Number of Fans – 6W</b>	<b>2</b>	<b>3</b>		
	<b>Amperes</b>		<b>Watts</b>	
<b>Merchandiser</b>	<b>8 ft</b>	<b>12 ft</b>	<b>8 ft</b>	<b>12 ft</b>
<b>Fans (Refrigeration)</b>				
Standard (120V 60Hz)	<u>1.00</u>	<u>1.50</u>	<u>78</u>	<u>117</u>
Energy Efficient (120V 60Hz)	<u>0.52</u>	<u>0.78</u>	<u>36</u>	<u>54</u>
Export (230V 50Hz)	<u>0.56</u>	<u>0.84</u>	<u>88</u>	<u>132</u>
<b>Cycling Anti-sweat Heaters</b>	NA	NA	NA	NA
<b>Minimum Circuit Ampacity</b>				
With Standard Fans (120V 60Hz)	<u>1.20</u>	<u>1.70</u>		
With Energy Efficient Fans (120V 60Hz)	<u>0.72</u>	<u>0.98</u>		
With Export Fans (230V 50Hz)	<u>0.76</u>	<u>1.04</u>		
<b>Maximum Over Current Protection 120V</b>	<b>20</b>	<b>20</b>		
<b>Maximum Over Current Protection 230V</b>	<b>15</b>	<b>15</b>		
<b>Standard Lighting</b>	<b>8 ft</b>	<b>12 ft</b>	<b>8 ft</b>	<b>12 ft</b>
1 Row Canopy	0.51	0.77	59	85
<b>Optional Lighting</b>				
1 Row Canopy and 1 Row Rail	1.02	1.54	118	170
2 Row Canopy	1.02	1.54	118	170
2 Row Canopy and 1 Row Rail	1.53	2.31	177	255
3 Row Canopy	1.53	2.31	177	255
3 Row Canopy and 1 Row Rail	2.04	3.08	2.36	3.40
<b>Optional Shelf Lighting</b>				
1 Row of Shelves	0.51	0.77	59	85
2 Rows of Shelves	1.02	1.54	118	170
3 Rows of Shelves	1.53	2.31	177	255

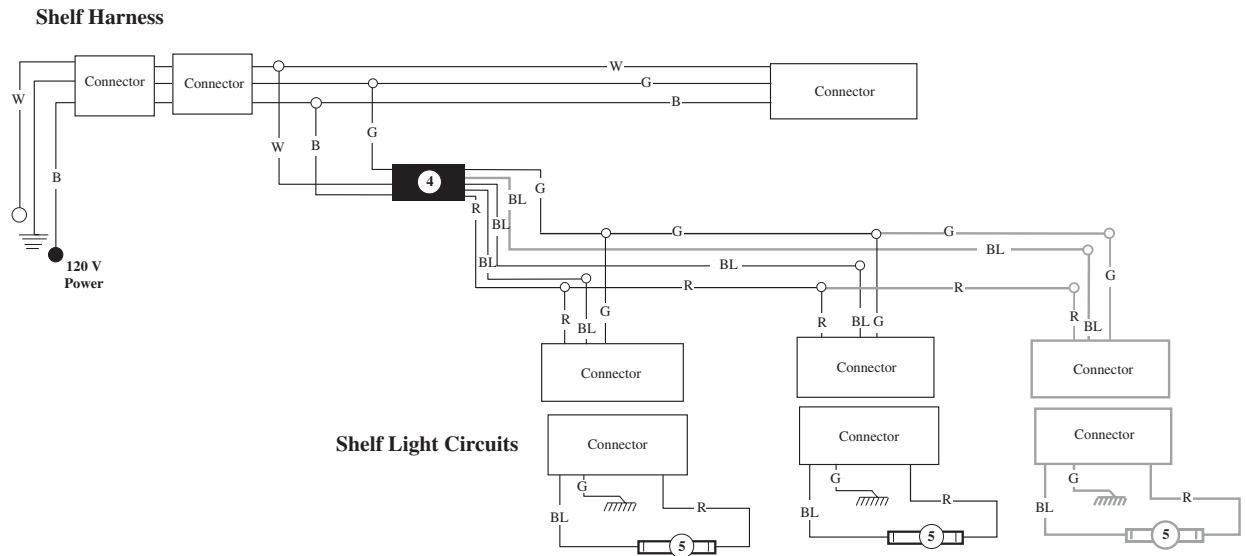
# Fan Wiring Offtime Defrost

## 2 & 3 Fans



## Optional Shelf Harness and Light Circuits for One Row of Shelves

# Shelf Lighting



### WARNING

All components must have mechanical ground, and the merchandiser must be grounded.

CIRCLED NUMBERS = PARTS LIST ITEM NUMBERS

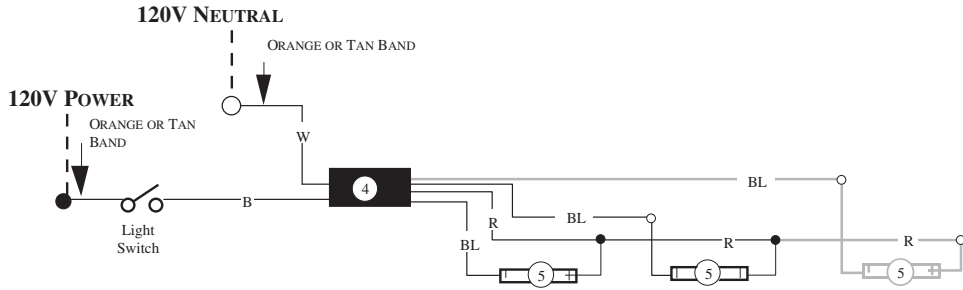
Grayed components in 12 foot models only.

R = Red Y = Yellow G = Green BL = Blue B = Black W = White

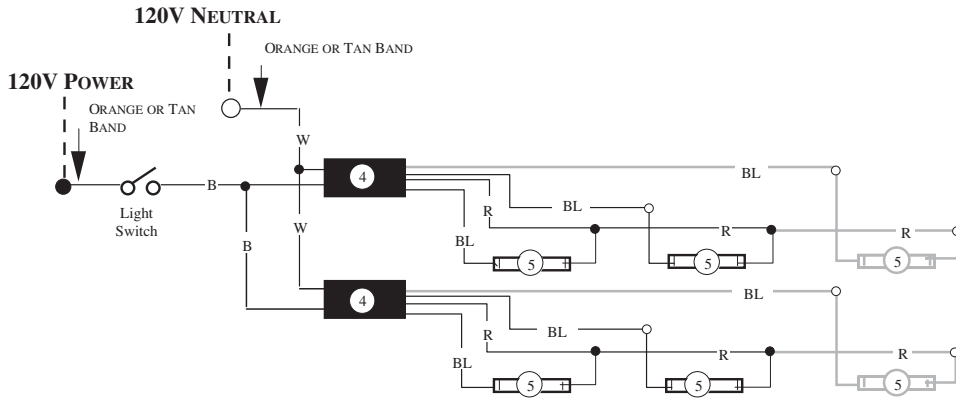
● = 120V POWER ○ = 120V NEUTRAL ≡ = Field GROUND *mm* = Case GROUND

# Light Circuits

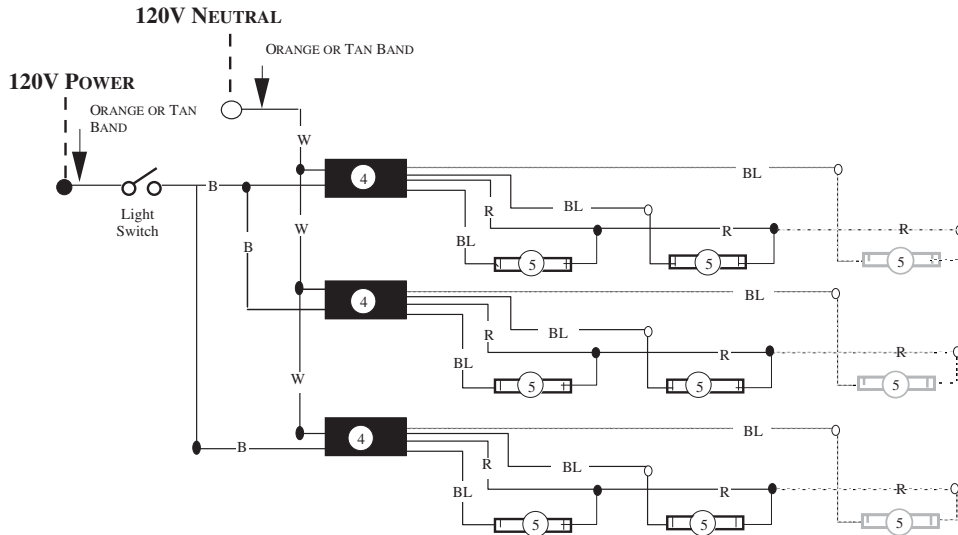
## Standard Lighting 1 Row Canopy or Optional 1 Row Rail



## Optional Lighting 2 Row Canopy



## Optional Lighting 3 Row Canopy



### WARNING

All components must have mechanical ground, and the merchandiser must be grounded.

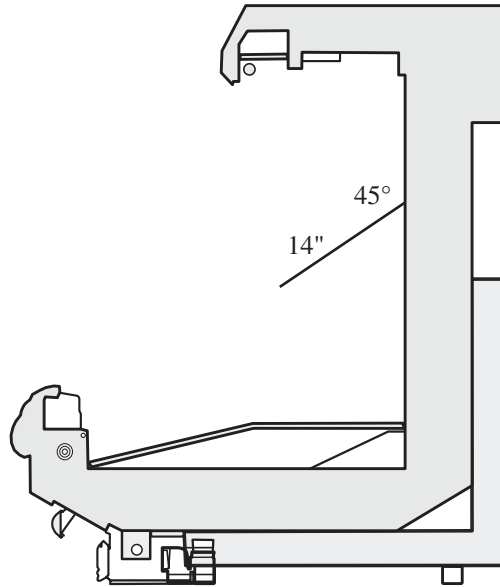
CIRCLED NUMBERS = PARTS LIST ITEM NUMBERS

Grayed components in 12 foot models only.

R = Red Y = Yellow G = Green BL = Blue B = Black W = White

● = 120V POWER ○ = 120V NEUTRAL

**The shelf configuration of these merchandisers is critical!**



**Shelf Configuration for M2E**

Top shelf must be 14 inches wide and placed at a 45° angle.

**This shelf position applies to all product applications.**