

HUSSMANN®

IMPACT

Multi-Deck Meat, Produce & Dairy

**Fan Ventilation
Kit Instruction**

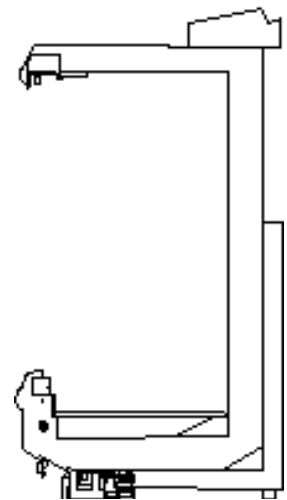
Parts List

Item Nos.	Quantity		Description
	8'	12'	
1.	1	1	Fan Ventilation Assembly
2.	1	1	Left Hand Vent Covers
3.	1	2	Fan Vent Covers
4.	14	18	8 1/2 Sheet Metal Screws

NOTE: Whenever the condition of a store's ambient air is above the design standard of these cases (75°; 55% relative humidity), moisture may condense on the case's exterior back surface.

To eliminate this condensation, air must be forced through the open area behind the case to "wipe" the surface dry. This kit is designed for that purpose.

This kit is completely factory assembled and ready for installation. All that is required is to fasten it to the top of the merchandiser, connect to an electrical power supply and close-off the open areas at the end of the case or case lineup.



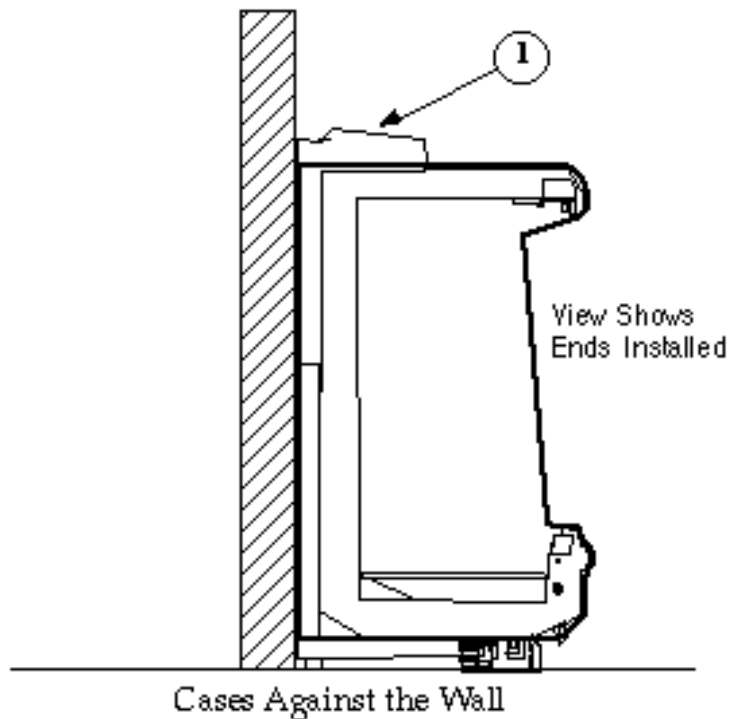
P/N 387562

July, 1995

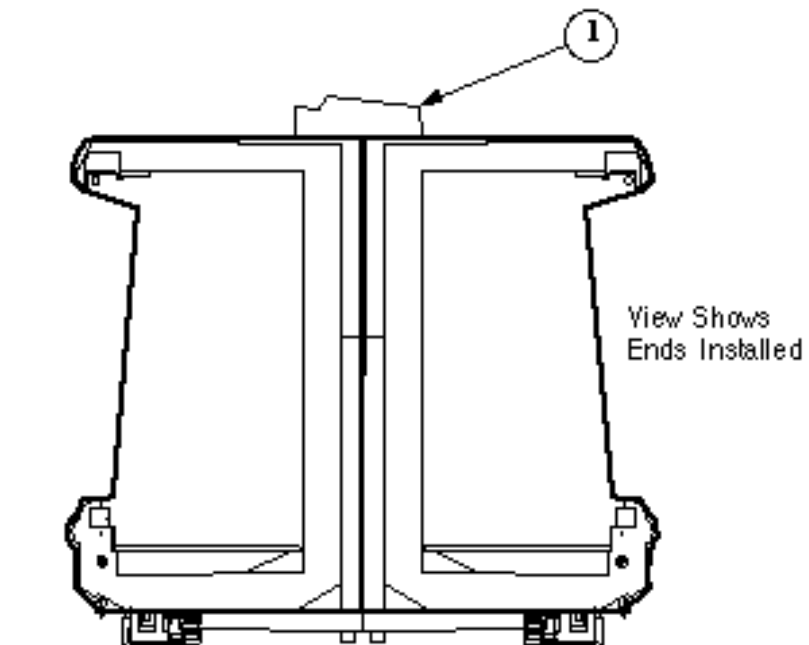
Before Beginning Installation, carefully unpack and inspect the Fan Ventilation Kit making sure there is no breakage or damage.

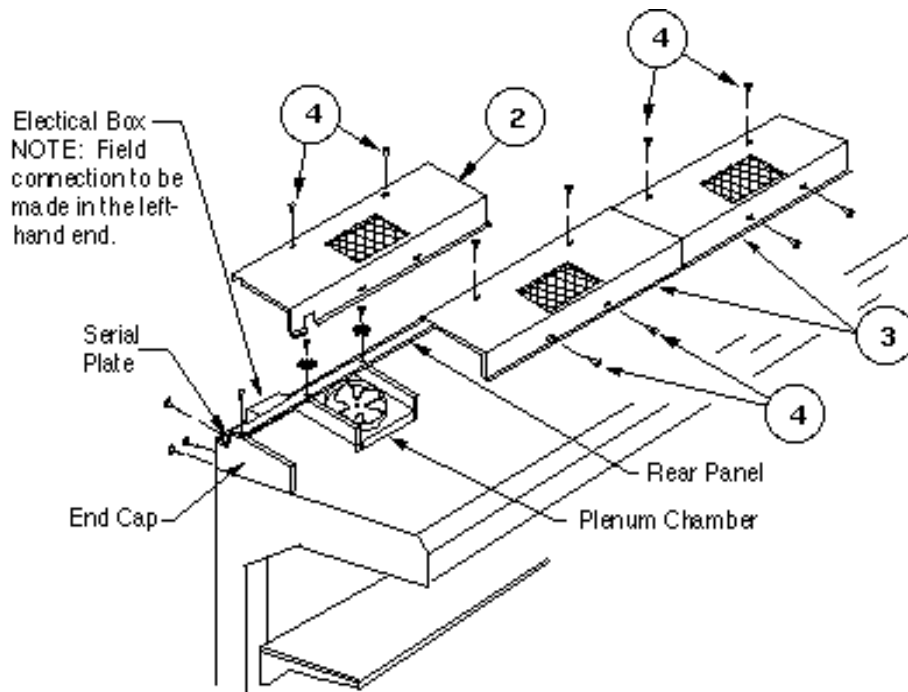
NOTE: Make sure that Cases have been leveled according to Installation Instructions under *Leveling*.

1 If Case backs to wall, place Fan Ventilation Assembly – 1 on top of the case, covering the $3\frac{3}{16}$ " gap between the top of case and the wall.



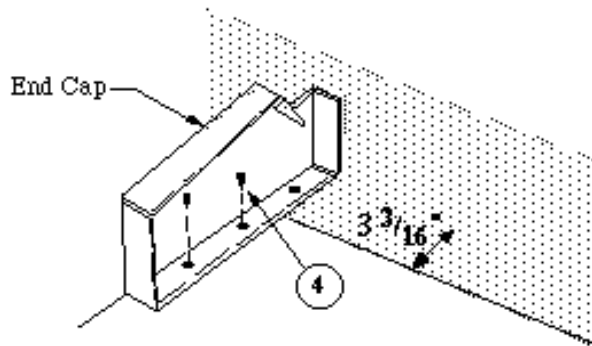
2 If Cases are back to back, place Fan Ventilation Assembly – 1 on center between top exterior panels of cases. The Assembly should overhang top rear of each case approximately $3\frac{3}{16}$ ".





3 Remove the **Left-Hand Fan Vent Cover – 2.**

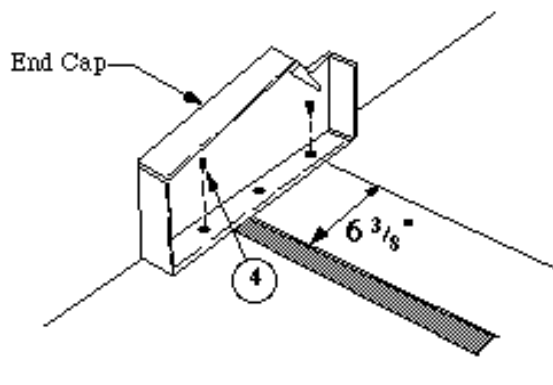
NOTE: *The left-hand vent cover has a notched out area to allow for wireway.*



4 Fasten the assembly to the top of the case through the bottom flange of the end caps using **Sheet Metal Screws – 4.**

5 Reinstall **Fan Vent Cover – 2.**

Mounting Against the Wall

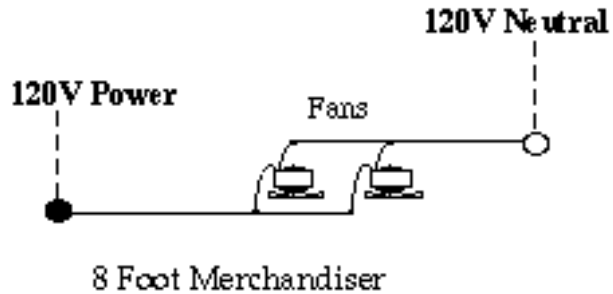


6 Connect the Fan Vent Assembly to a 120 volt power supply (230 volt, 50Hz for 68HN and 69HN kits).

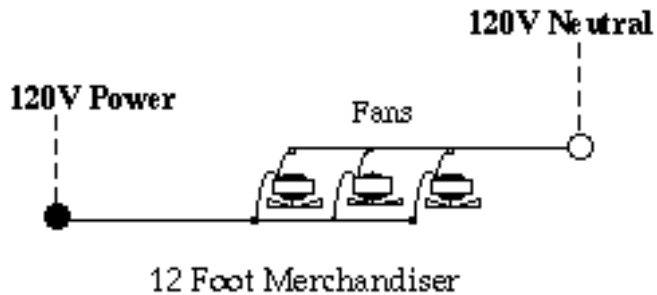
NOTE: *All wiring must be in accordance with all applicable electrical codes.*

Serial Plate Amperage

- A. 8 Foot Case
120V 60 Hz-1.4
230V 50 Hz-0.7
- B. 12 Foot Case
120V 60 Hz-2.1
230V 50 Hz-1.0



7 Close off the open area at the ends of the cases or case line-up from the top of the case to the floor line. Materials not provided.



FAN BLADE AND MOTOR REPLACEMENT PARTS

Kit Nomenclature

Description and Part Number

AP52 and AP53
(IMPACT)

Fan Motor: P/N 0371980
GE #5KSM51ECG5097 or
Morrill SPGE9HBV16
115V 9W CW

Fan Blade: P/N 0141073
Mor. #FV 800 CW 40P
Raised embossed side installed
away from motor.