

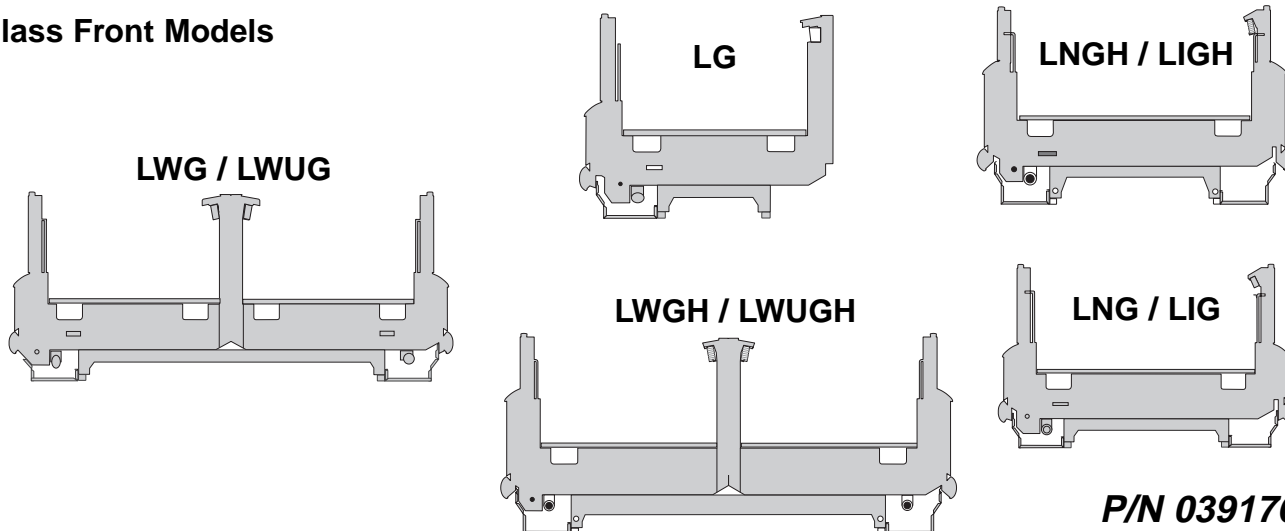
This section covers the installation of flat end panels on glass front models.
For solid front models, go to Page S1.

PARTS LIST

Item	Quantity			Description
	LG	LIG/LNG	LWG	
1.	5	6	7	Nut Retainer $\frac{5}{16}$ -18 (left end only)
2.	2	2	2	Tape Gasket $\frac{1}{2}$ x 1 x 120
3.	1	1	1	Tape Gasket $\frac{1}{2}$ x $\frac{1}{2}$ x 120
4.	1	1	1	Donut Gasket
5.	1	1	1	End Assembly
6.	5	6	7	Flat Washer $\frac{5}{16}$
7.	5	6	7	Lock Washer $\frac{5}{16}$
8.	5	6	7	Cap Screw $\frac{5}{16}$ -18 x $1\frac{1}{4}$
9.	5	6	7	Plug Button
10.	1	1	1	Silicone Sealer
11.	1	2	2	Glass Post End Cover
12.	6	6	6	Screw #8 x $\frac{1}{2}$ Phillips
13.	1	1	1	Splashguard Channel
14.	2	2	2	Screw #8 x $\frac{1}{2}$ Phillips Black
15.	1	1	1	Splashguard

Note: Nut retainers are factory installed in the left end, and alignment pins are factory installed in the right end of each merchandiser.

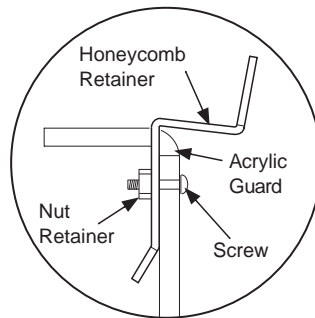
Glass Front Models



P/N 0391765
May, 2002

Use caution when removing the honeycomb. A damaged honeycomb will cause merchandisers to perform poorly.

- 1** Remove nut and screw from honeycomb retainer. Remove retainer from merchandiser. (See Detail A)



Detail A

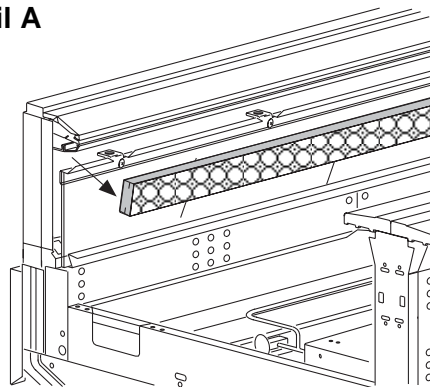


Figure 1. Remove Honeycomb

- 2** On the back side of the wall case, or both sides of the island center flue, use fingers to apply pressure to the top of the honeycomb. Press gently until the top corner clears the retainer.

Moving along the honeycomb, repeat this process to remove the honeycomb.



Figure 2. Remove Honeycomb with Fingers

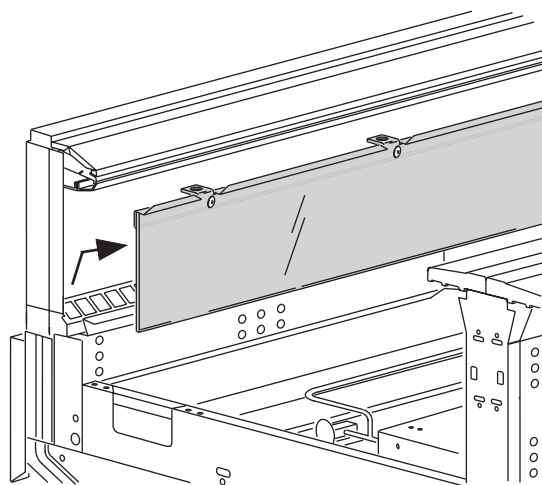


Figure 3. Remove Acrylic Guard

- 3** Remove the acrylic guard from the front side of the wall case, or both sides of the island case by sliding the guard up and then forward.

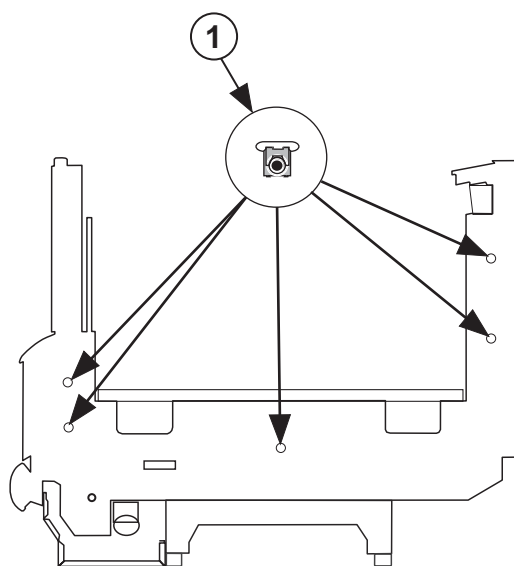


Figure 4. Install Nut Retainer - LG Case

- 4** LEFT ENDS ONLY:
Verify that factory installed nut retainers are installed in the left-hand frame.

RIGHT ENDS ONLY:
Install **Nut Retainers – 1** in the right-hand end of the frame. (See the next page for additional illustrations.)
Remove alignment pins.

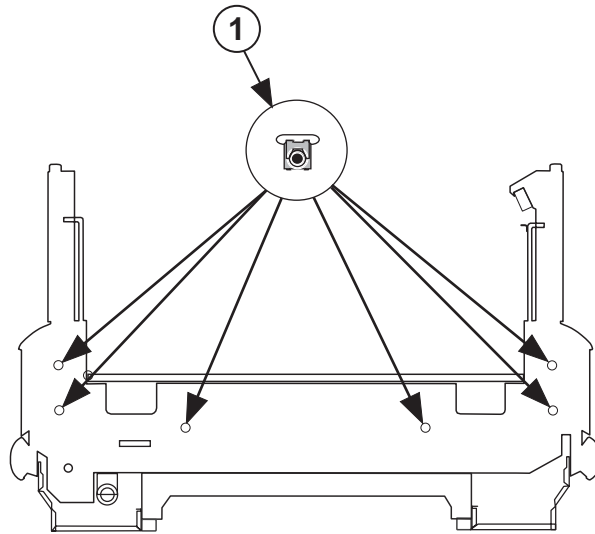
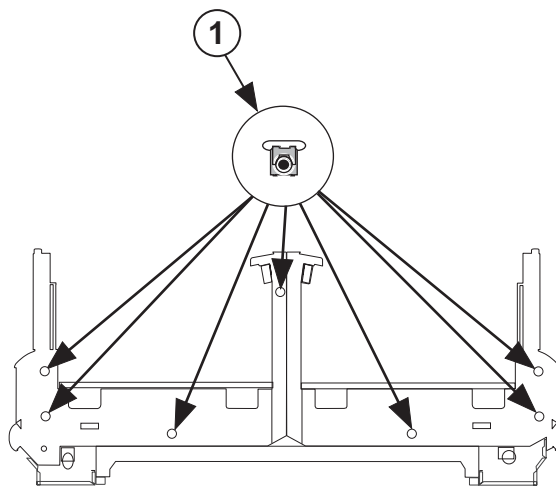


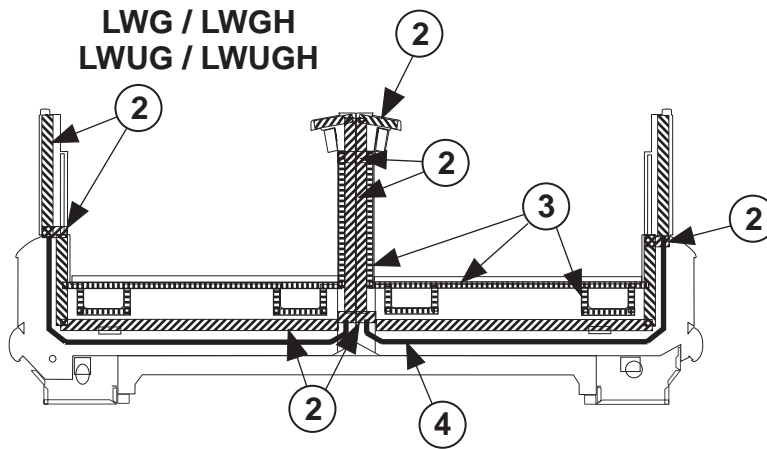
Figure 5. Install Nut Retainer - LNG / LIG / LNGH / LIGH Cases



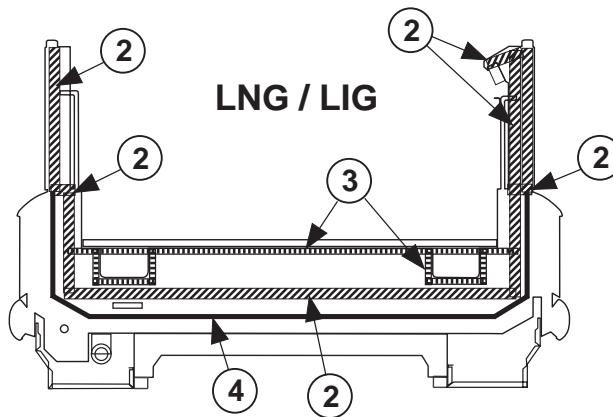
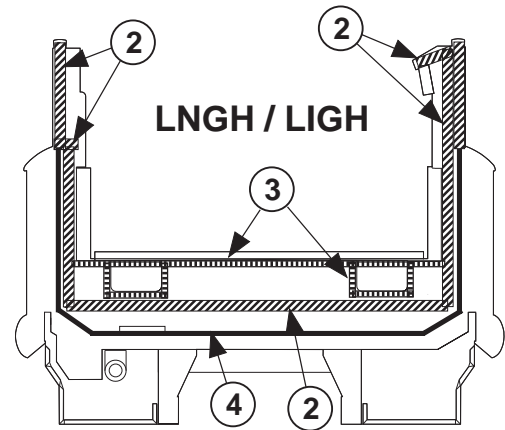
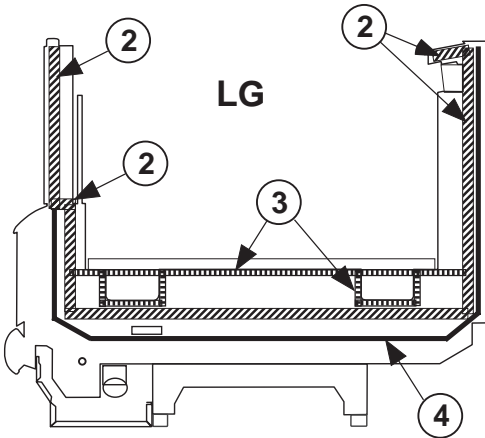
**Figure 6. Install Nut Retainer - LWG / LWGH / LWUG /
LWUGH Cases**

GLASS FRONT CASES

5 Apply **Gaskets – 2, 3, and 4** to the case end frame, according to Figure 7.



- Lap gaskets at corners. Check that there are no gaps between gasket and merchandiser.
- Do not stretch gasket, especially around corners.
 - Do not butt gaskets; always lap joints.
 - Remove paper backing after gasket is applied.
 - Gasket has high tack adhesive and must be properly placed the first time.



1 In. Foam Tape Gasket



1/2 In. Foam Tape Gasket



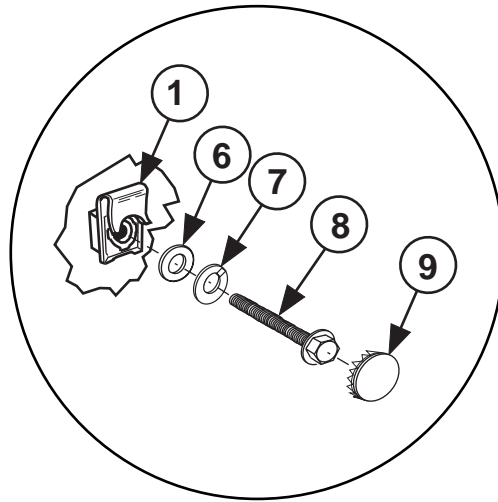
Donut Gasket



Figure 7. Gasket Diagram

6 Fasten **End Assembly – 5** to end frame of merchandiser using **Flat Washer – 6**, **Lock Washer – 7** and **Cap Screw – 8**. Tighten until gaskets are compressed.

After end assemblies have been tightened, insert **Plug Buttons – 9**.



Detail B

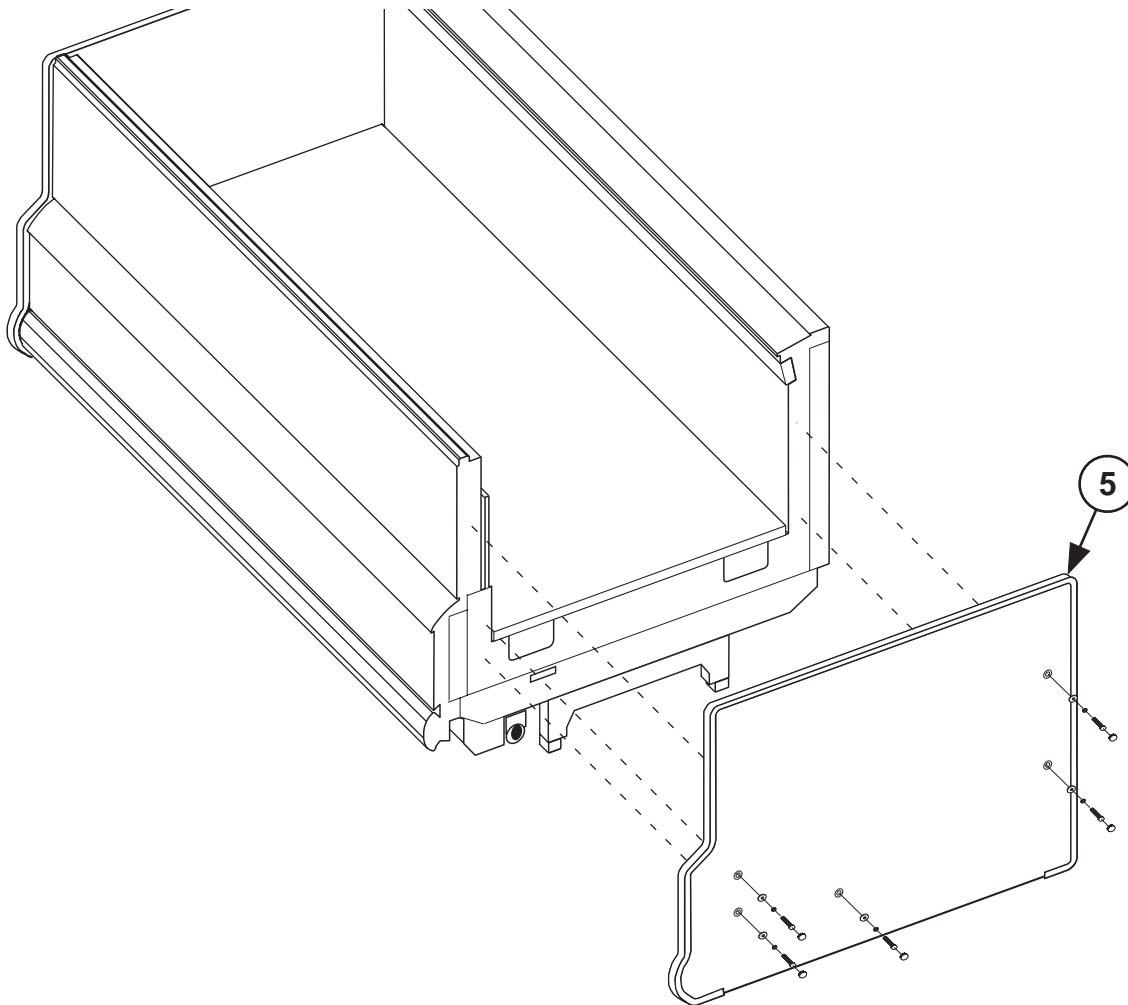


Figure 8. Install End Panels

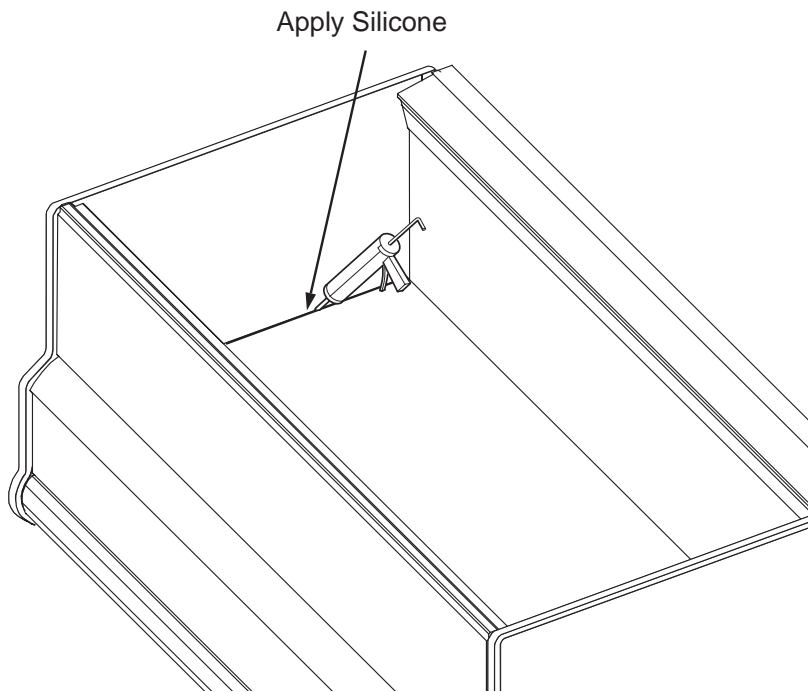


Figure 9. Apply Silicone

7 Apply a bead of **Silicone — 10** where end and case join.

When the silicone is dry, replace honeycomb and acrylic guard.

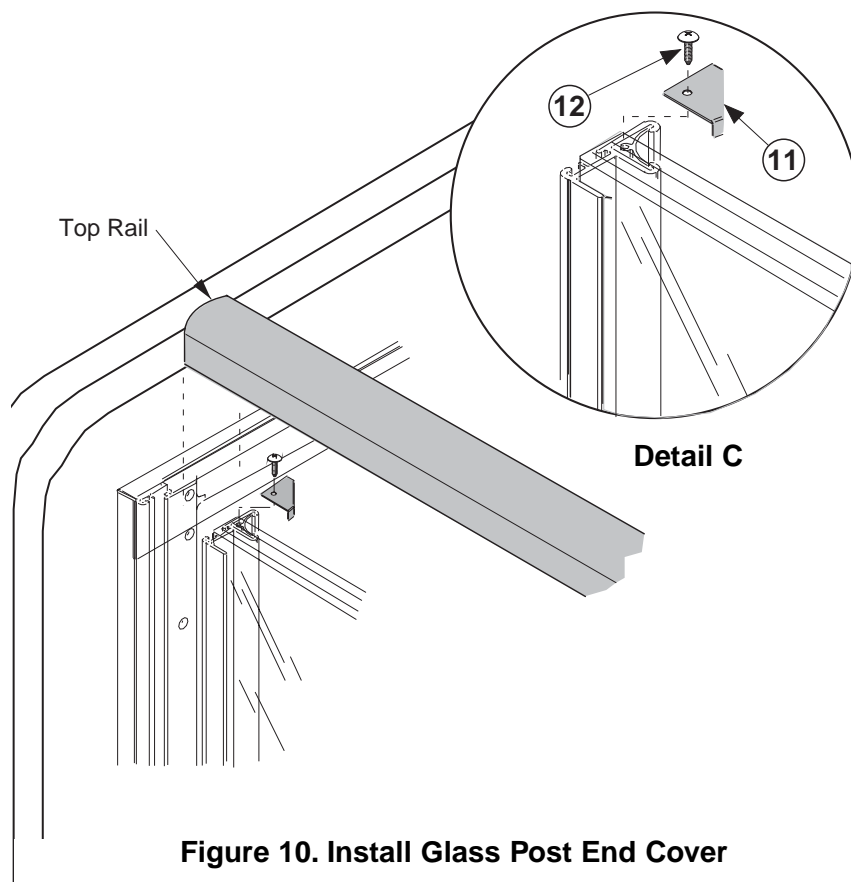


Figure 10. Install Glass Post End Cover

8 Use **Screw — 12**, to fasten **Post End Cover — 11** where glass wall meets the installed end.

- 9** Use **Screws — 12** to attach **Splashguard Channel — 13** to legs of merchandiser.

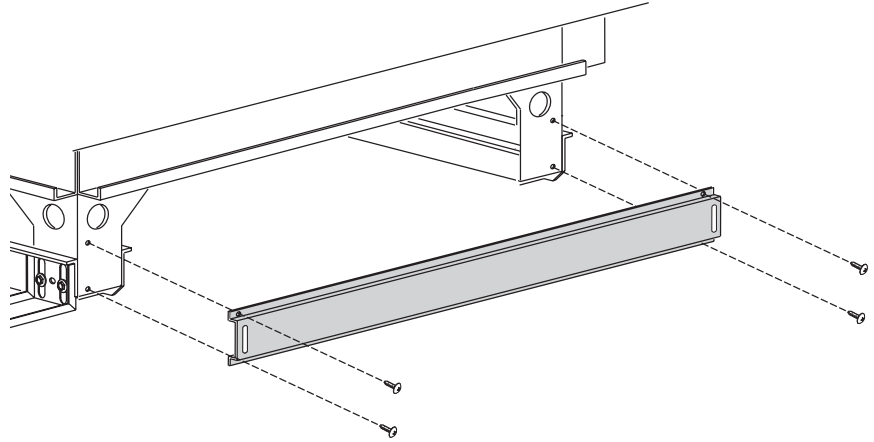


Figure 11. Install Splashguard Channel

- 10** Use **Screws — 14** to attach **Splashguard — 15** to splashguard channel.

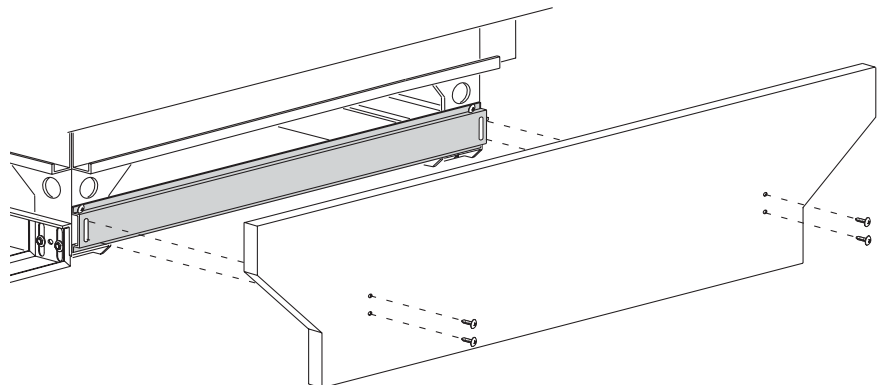


Figure 12. Install Splashguard

This section covers the installation of flat end panels on solid front models.

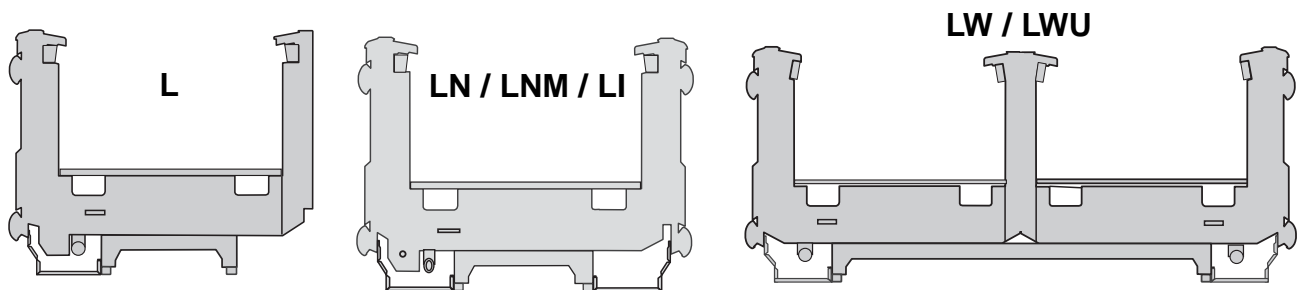
For glass front models, return to Page G1.

PARTS LIST

Item	Quantity			Description
	L	LN	LW	
1.	4	4	6	Nut Retainer $\frac{5}{16}$ -18 (Left end only)
2.	2	2	2	Tape Gasket $\frac{1}{2}$ x 1 x 120
3	1	1	1	Tape Gasket $\frac{1}{2}$ x $\frac{1}{2}$ x 120
4	1	1	1	Donut Gasket
5.	1	1	1	End Assembly
6.	4	4	8	Flat Washer $\frac{5}{16}$
7.	4	4	8	Lock Washer $\frac{5}{16}$
8.	4	4	8	Cap Screw $\frac{5}{16}$ -18 x $1\frac{1}{4}$
9.	4	4	8	Plug Button
10.	1	1	1	Silicone Sealer
11.	6	6	6	Screw #8 x $\frac{1}{2}$ Phillips
12.	1	1	1	Splashguard Channel
13.	2	2	2	Screw #8 x $\frac{1}{2}$ Phillips Black
14.	1	1	1	Splashguard

Note: Nut retainers are factory installed in the left end, and alignment pins are factory installed in the right end of each merchandiser.

Solid Front Models



Use caution when removing the honeycomb. A damaged honeycomb will cause merchandisers to perform poorly.

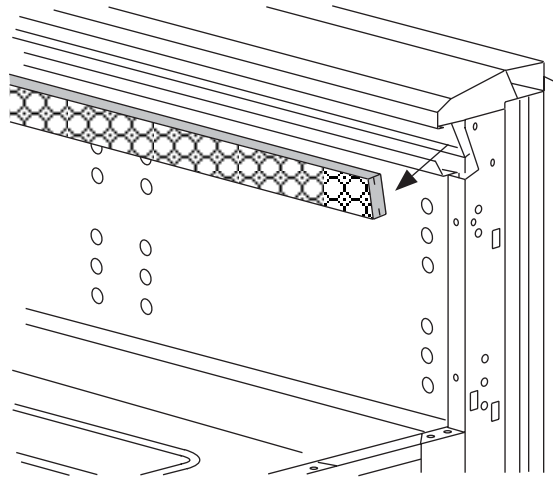


Figure 1. Remove Honeycomb

- 1** On the back side of the wall case, or both sides of the island center flue, use fingers to apply pressure to the top of the honeycomb. Press gently until the top corner clears the retainer.

Moving along the honeycomb, repeat this process to remove the honeycomb.



Figure 2. Remove Honeycomb with Fingers

- 2** Remove the internal panel from the front side of the wall case, or both sides of the island case by sliding the panel up and out as shown in Figure 3.

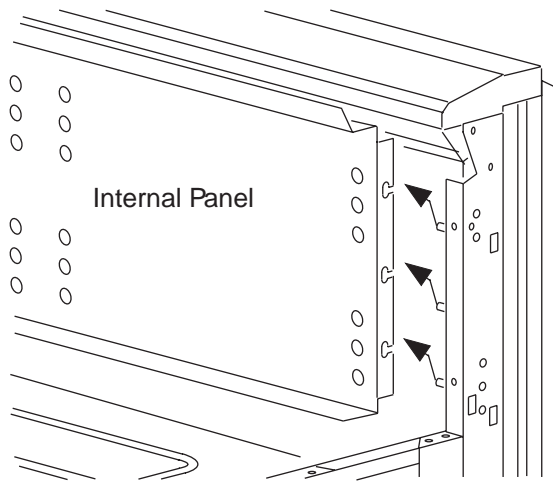


Figure 3. Remove Internal Panel

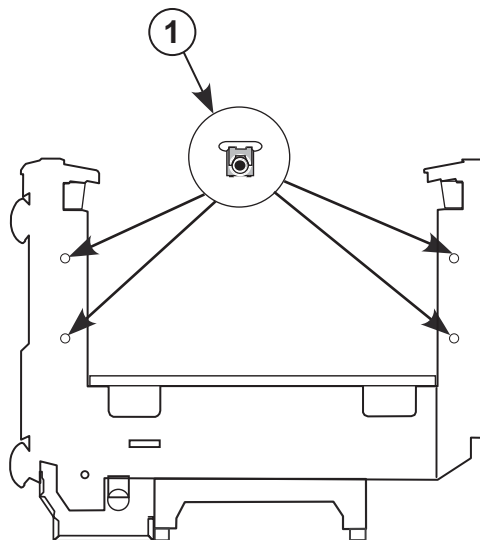


Figure 4. Install Nut Retainer - L Case

- 3** LEFT ENDS ONLY:
Verify that factory installed nut retainers are installed in the left-hand frame.

RIGHT ENDS ONLY:
Install **Nut Retainers – 1** in the right-hand end of the frame. (See the following page for additional illustrations.)
Remove alignment pins.

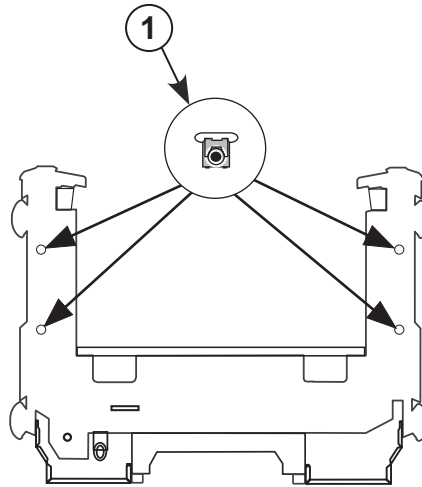


Figure 5. Install Nut Retainer - LN/LNM/LI Cases

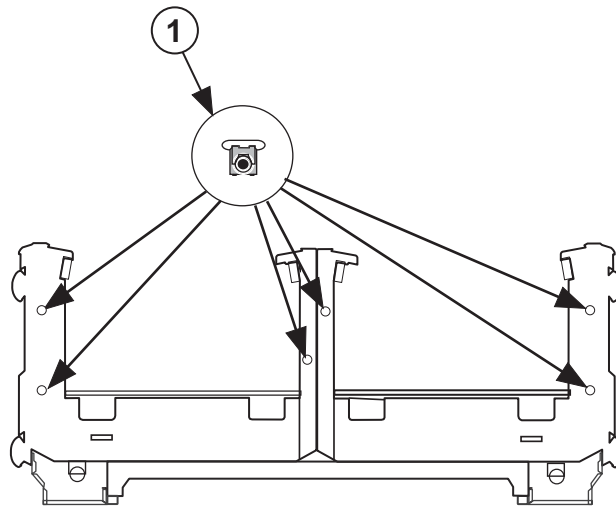
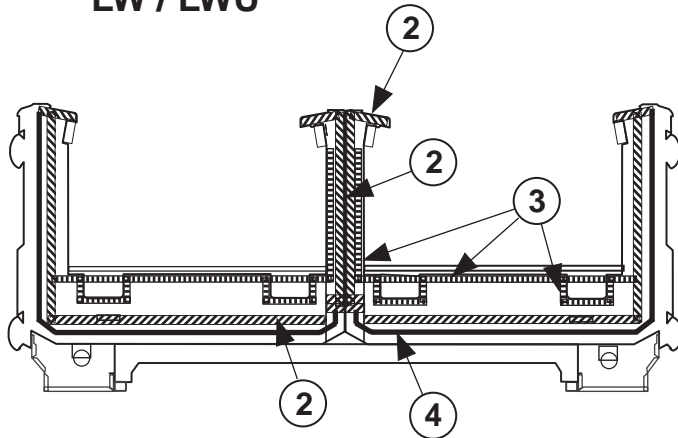


Figure 6. Install Nut Retainer - LW/LWU Cases

SOLID FRONT CASES

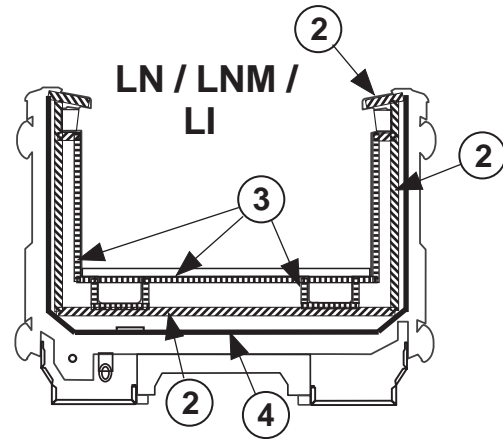
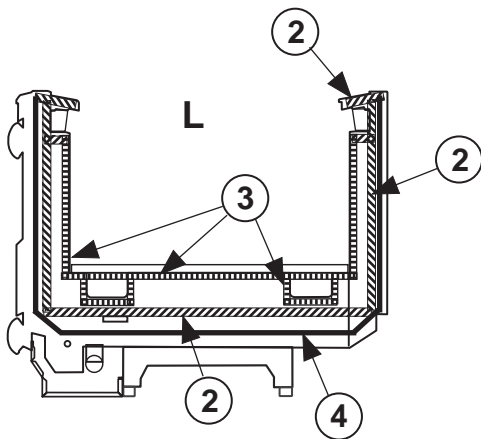
4 Apply **Gaskets – 2, 3 and 4** to the end frame of the case, according to Figure 7.

LW / LWU



Lap gaskets at corners. Check that there are no gaps between gasket and merchandiser.

- Do not stretch gasket, especially around corners.
- Do not butt gaskets; always lap joints.
- Remove paper backing from tape gaskets after gasket is applied.
- Gaskets have high tack adhesive and must be properly placed the first time.



1 In. Foam Tape Gasket



1/2 In. Foam Tape Gasket



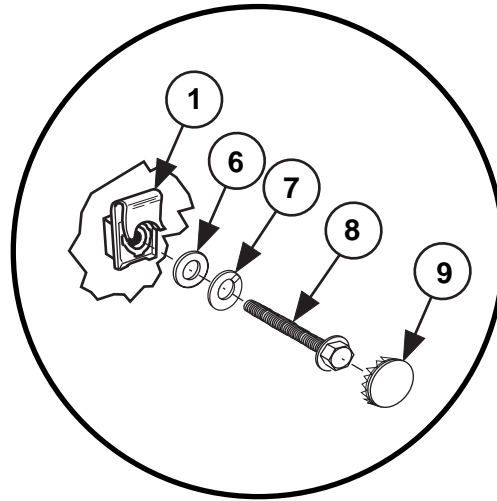
Donut Gasket



Figure 7. Gasket Diagram

5 Fasten **End Assembly – 5** to end frame of merchandiser using **Flat Washer – 6**, **Lock Washer – 7** and **Cap Screw – 8**. Tighten until gaskets are compressed.

After end assemblies have been tightened, insert **Plug Buttons – 9**.



Detail A

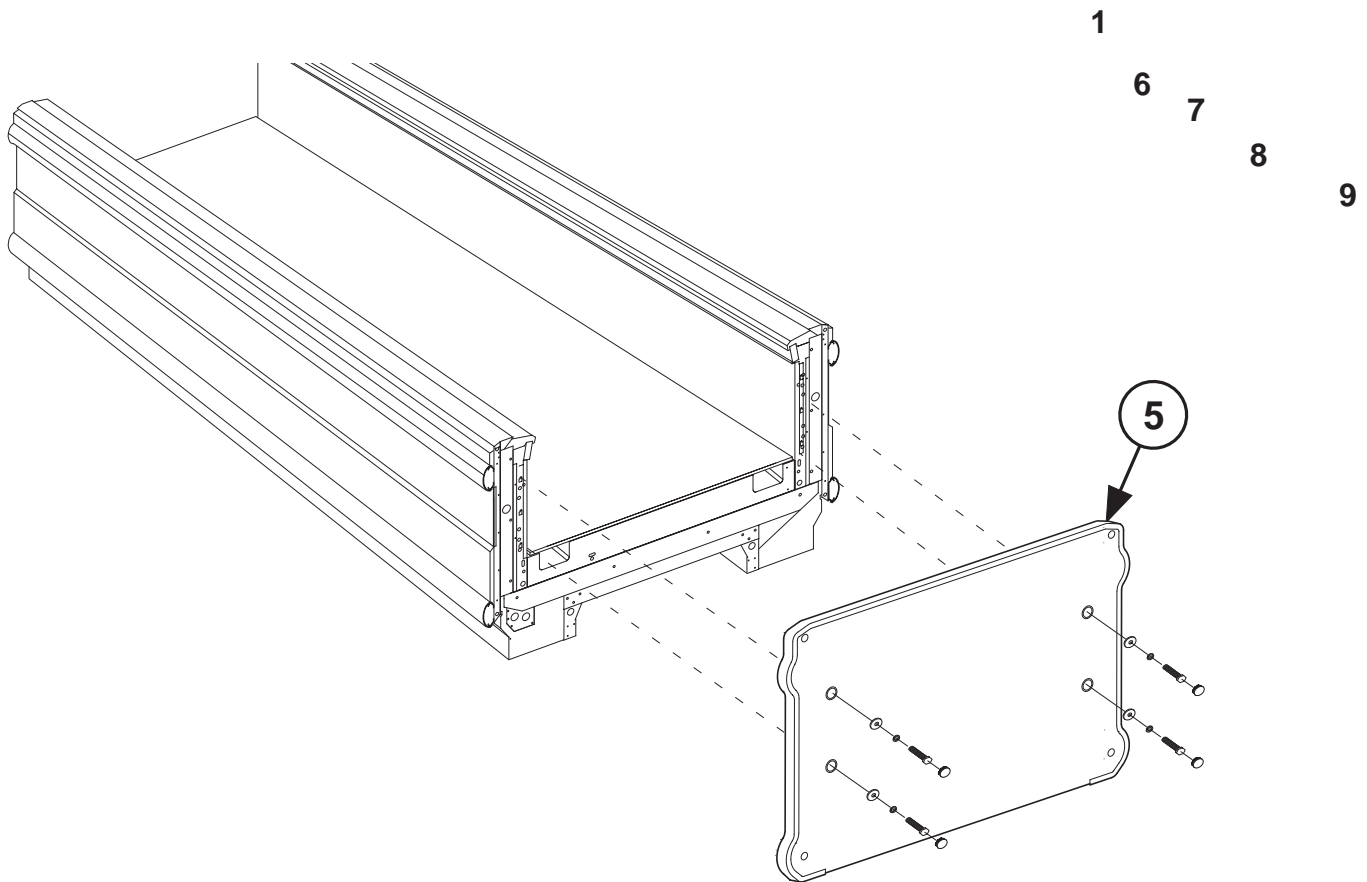


Figure 8. Install End Panels

- 6** Apply a bead of **Silicone — 10** where end and case join.

When the silicone is dry, replace honeycomb and internal panel.

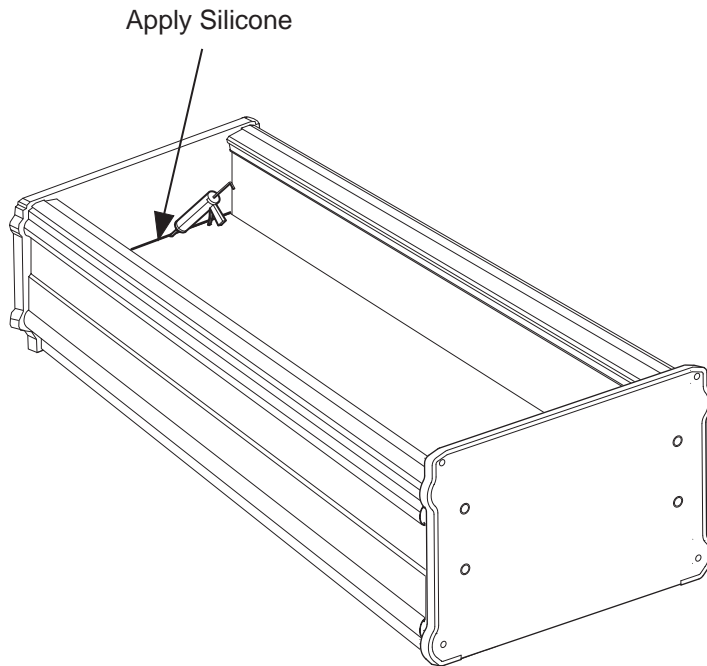


Figure 9. Apply Silicone

- 7** Use **Screws — 11** to attach **Splashguard Channel — 12** to legs of merchandiser.

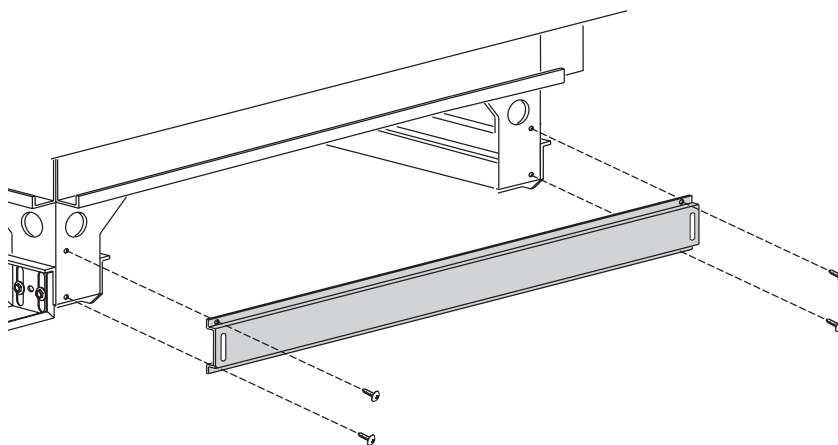


Figure 10. Install Splashguard Channel

- 8** Use **Screws — 13** to attach
Splashguard — 14 to
splashguard channel.

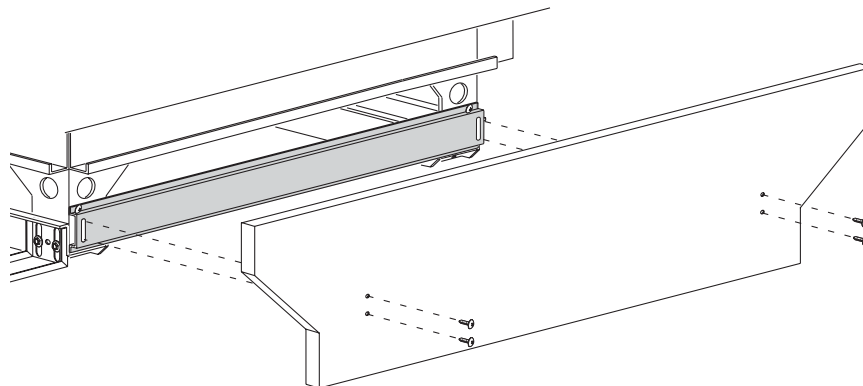


Figure 11. Install Splashguard