

We reserve the right to change or revise specifications and product design in connection with any feature of our products. Such changes do not entitle the buyer to corresponding changes, improvements, additions or replacements for equipment previously sold or shipped.

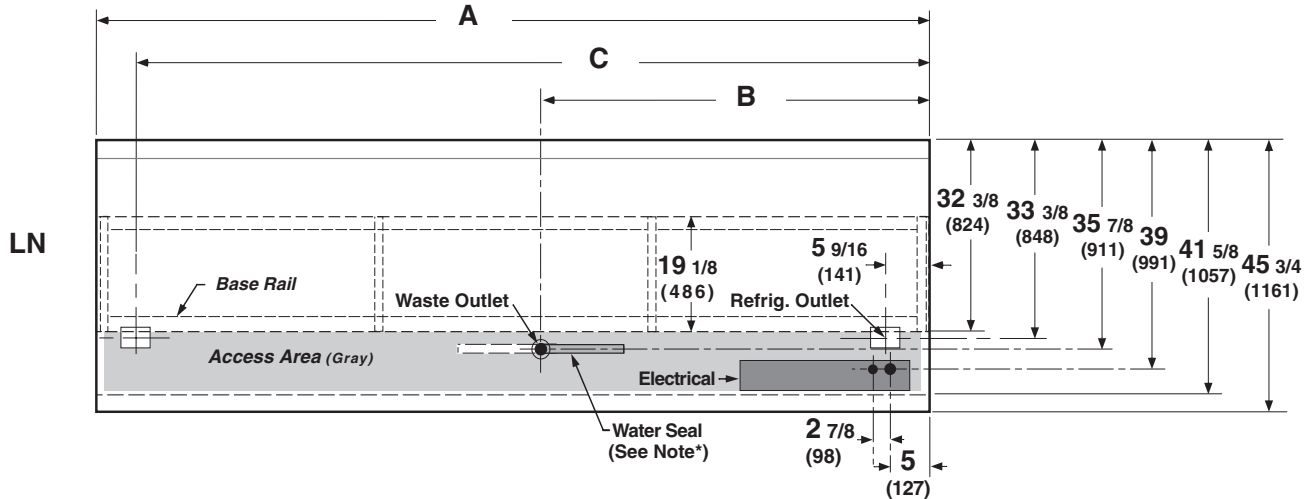
Item	Part #	Description	Wiring Item #	Item	Part #	Description	Wiring Item #
FAN ASSEMBLIES AND THERMOSTATS				HEATERS			
A.	4W Fan Assembly		(1)	E.	0395709	Modular Electric Defrost Heaters, 208V (HE.4850409)	(5)
	0392457	Fan Motor, Standard (MO.4410101)					
	0409511	Fan Blade, embossing toward motor (FB.0409511)					
B.	Optional Adjustable Refrigeration Thermostat		(2)	F.	Drip Pan Heaters, Electric 208V		(6)
					0392413	8 foot case (HE.0392413)	
					0392414	12 foot case (HE.0392414)	
C.	0398557	Defrost Termination Thermostat (Electric Defrost only) (CT.4440611)	(3)		Drip Pan Heaters, Koolgas 120V		(7)
					0421238	8 foot case (HE.4850496)	
					0421239	12 foot case (HE.4850497)	
D.	0425304	Heater Switch (Koolgas Defrost only) (CT.0425304)	(4)	G.	Nosing Anti-sweat Heaters		(8)
					0401605	8 foot case (Discharge) (HE.0401605)	
					0401557	8 foot case (Return) (HE.4850467)	
					0401606	12 foot case (Discharge) (HE.4850471)	
					0401558	12 foot case (Return) (HE.4850468)	




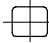
NOTE: Revision G corrects heater data on Page 4.

Engineering Plan Views

Low Temperature Narrow Island Models

Dimensions shown as inches & (mm).



	8 ft	12 ft
General		
(A) Case Length <i>(without ends or partitions)</i> <i>(Each end and insulated partition adds 2 in. (51 mm) to case line up.)</i> Maximum O/S dimension of case back to front <i>(includes bumper)</i>	96 1/4 (2445)	144 1/2 (3670)
Back of case to front of splashguard	45 3/4 (1162)	45 3/4 (1162)
Back of case to O/S edge of front base rail	41 5/8 (1057)	41 5/8 (1057)
Width of base rail	32 3/8 (822)	32 3/8 (822)
Stub-up area (gray) between base rail and splashguard	2 1/8 (54)	2 1/8 (54)
	7 5/8 (194)	7 5/8 (194)
Electrical Service  <i>(Electrical Field Wiring connection point)</i>		
RH End of case to center of nearest knockout	5 (127)	5 (127)
Back O/S of case to center of knockout	39 (991)	39 (991)
Waste Outlets 		
(B) RH End of case to the center of waste outlet	58 1/4 (1480)	72 1/4 (1835)
LH End of case to center of waste outlet	38 (965)	72 1/4 (1835)
Back O/S of case to center of waste outlet	35 7/8 (911)	35 7/8 (911)
Water Seal 		
Edge of water seal to center of waste outlet	11 (279)	11 (279)
O/S diameter of drip pipe lines	1 1/2 (38)	1 1/2 (38)
Note*: Field installed water seal outlet, tees and connectors are shipped with case.		
Refrigeration Outlet 		
RH end of case to center of RH refrigeration outlet	5 9/16 (141)	5 9/16 (141)
(C) LH end of case to center of LH refrigeration outlet	88 3/8 (2245)	138 7/8 (3527)
Back O/S of case to center of refrigeration outlet	33 3/8 (848)	33 3/8 (848)

Impact LN
Frozen Food & Ice Cream

REFRIGERATION DATA

Note: This data is based on store temperature and humidity that does not exceed 75°F and 55% R.H.

	FF	IC
Discharge Air (°F)	-12	-22
Evaporator (°F)	-20	-30
Unit Sizing (°F)	-23	-33
Btu/hr/ft	FF	IC
Parallel	390	400
Conventional	405	415

DEFROST DATA

	FF	IC
Frequency (hr)	24	24
Defrost Water (lb/ft/day)	0.75	0.60

(± 15% based on case configuration and product loading).

<i>ELECTRIC</i>	FF	IC
Temp Term (°F)	48°	48°
Failsafe (minutes)	60	60

<i>GAS</i>	FF	IC
Duration (minutes)	15	18

OFFTIME Not Recommended

Standard Defrost Thermostat

Close on rise: close 48°F — open 33°F

CONVENTIONAL CONTROLS

Low Pressure Backup Control

	FF	IC
CI/CO (Temp °F)*	-27/-39	-27/-39

Indoor Unit Only, Pressure Defrost Termination (Temp °F)*

Not Recommended

*Use a Temperature Pressure Chart to determine PSIG conversions.

PHYSICAL DATA

Merchandiser Drip Pipe (in.)	1 1/4
Merchandiser Liquid Line (in.)	3/8
Merchandiser Suction Line (in.)	5/8

Estimated Charge (lb)**

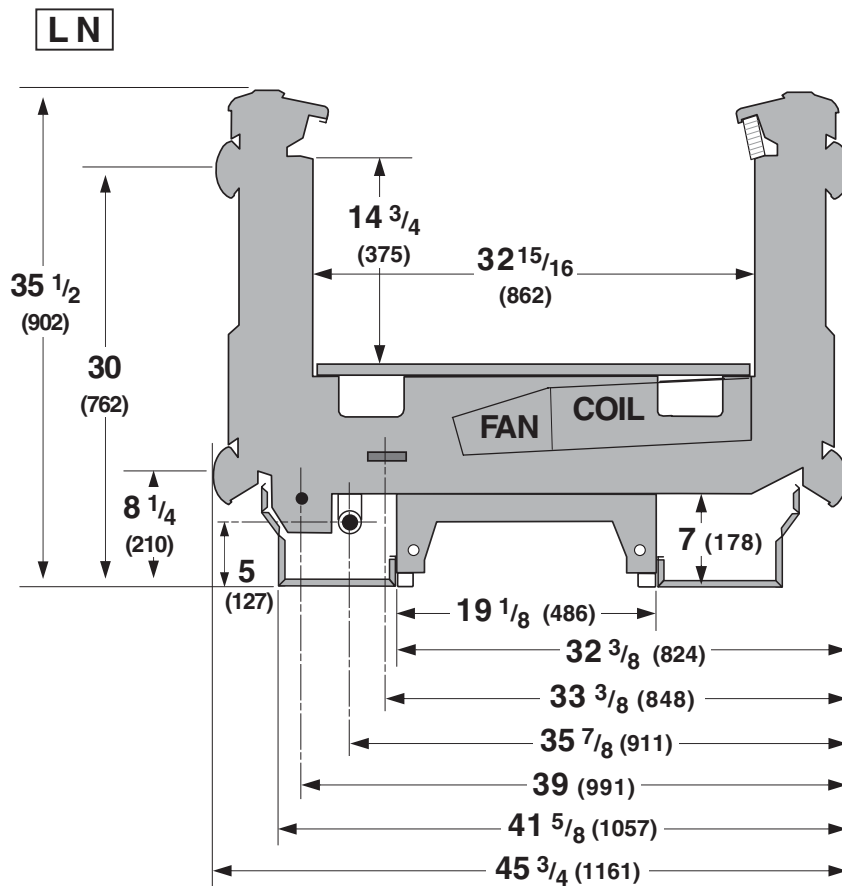
8 ft	1.7
12 ft	2.6

**This is an average for all refrigerant types. Actual refrigerant charge may vary by approximately half a pound.

Length Added to Lineup by:

Each End/Partition (in.)	1 1/2
---------------------------------	-------

Dimensions shown in inches & (mm).



NSF Certification

These merchandisers are manufactured to meet ANSI /National Sanitation Foundation (NSF®) Standard #7 requirements.

Impact LN Frozen Food & Ice Cream
--

Electrical Data

	8 ft	12 ft
Number of Fans – 4W	2	3
(Energy Efficient fan motors are not available for End or End-compartment models)		

	Amperes		Watts	
	8 ft	12 ft	8 ft	12 ft
Evaporator Fans				
120V 60Hz Standard	0.62	0.93	48	72
120V 50Hz Standard	NA			
230V 60Hz Export	0.30	0.45	48	72
230V 50Hz Export	0.36	0.54	54	81
120V 60Hz Energy Efficient	0.28	0.42	20	30
230V 60Hz Energy Efficient	NA			

Nosing Anti-sweat Heaters (on fan circuit)				
120V 60Hz Standard	0.94	1.40	112	168
230V 50Hz Export	0.49	0.73	112	168

Cycling Anti-sweat Heaters				
230V 50hz Export	NA			

Minimum Circuit Ampacity				
120V 60Hz Standard	1.76	2.53		
120V 50Hz Standard	NA			
230V 60Hz Export	0.99	1.38		
230V 50Hz Export	1.05	1.47		
120V 60Hz Energy Efficient	1.42	2.02		
230V 60Hz Energy Efficient	NA			

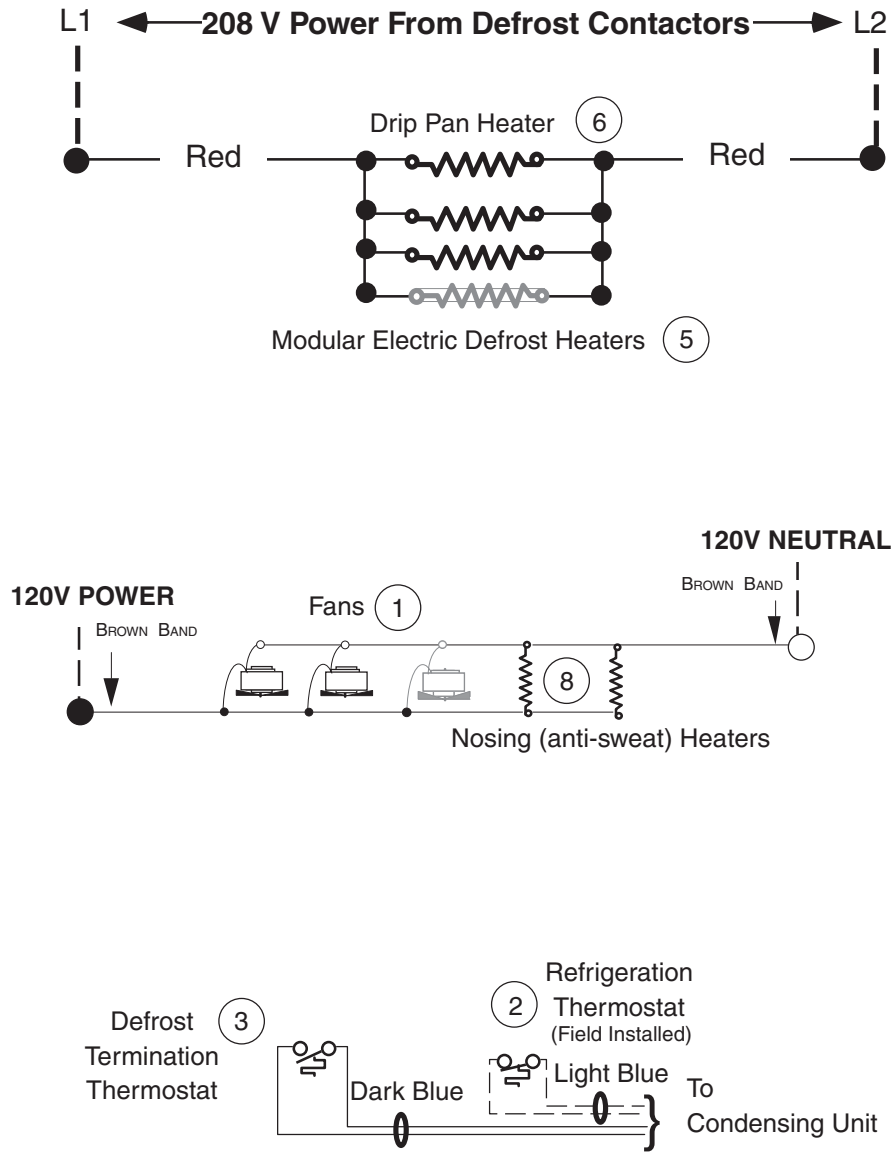
Maximum Over Current Protection 120V	20	20		
Maximum Over Current Protection 230V	15	15		

Electric Defrost Heaters				
<u>208V</u> 60Hz Standard	8.0	12.0	1670	2505
230V 50Hz Export	8.9	13.3	2040	3060

Koolgas Drip Pan Heaters				
120V 60Hz Standard	2.50	3.75	300	450
<u>230V</u> 50Hz Export	NA			

Standard Lighting: None

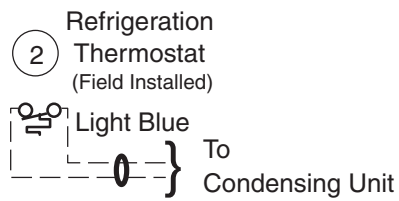
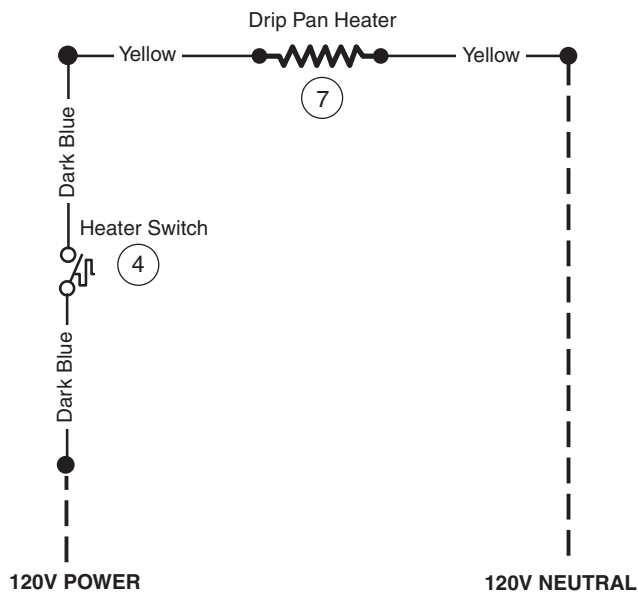
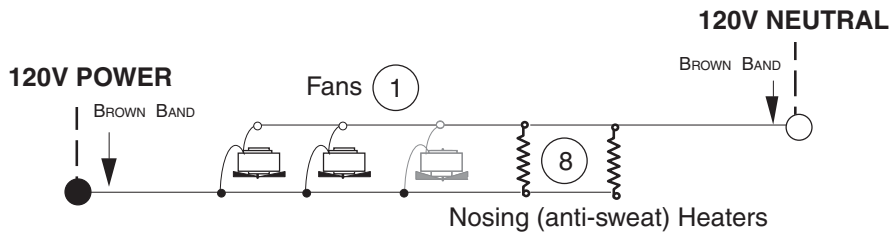
Electric Defrost – Standard



WARNING

All components must have mechanical ground, and the merchandiser must be grounded.
 Circled Numbers = Parts List Item Numbers
 Grayed components in 12 foot models only.

Gas Defrost – Optional



WARNING

All components must have mechanical ground, and the merchandiser must be grounded.
 Circled Numbers = Parts List Item Numbers
 Grayed components in 12 foot models only.