

We reserve the right to change or revise specifications and product design in connection with any feature of our products. Such changes do not entitle the buyer to corresponding changes, improvements, additions or replacements for equipment previously sold or shipped.

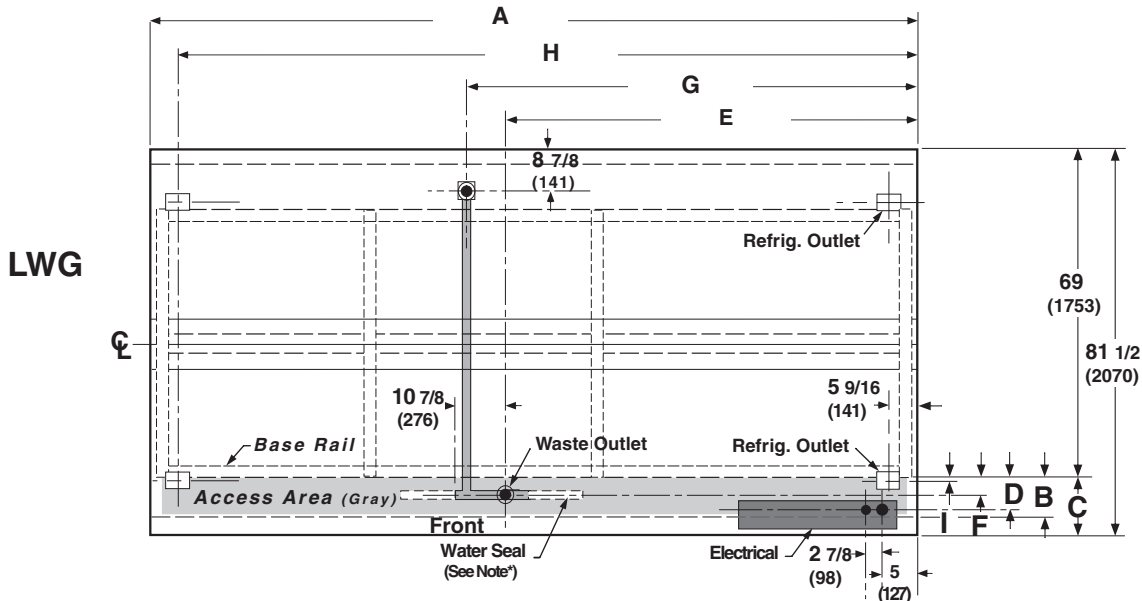
Item	Part #	Description	Wiring Item #	Item	Part #	Description	Wiring Item #
FAN ASSEMBLIES AND THERMOSTATS				HEATERS (CONTINUED)			
A.	4W Fan Assembly		(1)	F.	0395709	Modular Electric Defrost Heaters, 208V (HE.4850409)	(6)
	0392457	Fan Motor, Standard (MO.4410101)					
	0409511	Fan Blade, embossing toward motor (FB.0409511)		G.		Drip Pan Heaters, Electric 208V	(7)
B.	Optional Adjustable Refrigeration Thermostat		(2)	0392413		8 foot case (HE.0392413)	
C.	0398557 (Front) Defrost Termination Thermostat (CT.4440611)		(3)	0392414		12 foot case (HE.0392414)	
	0398558 (Rear) (Electric Defrost only) (CT.4481088)					Drip Pan Heaters, Koolgas 120V	(8)
D.	0425304	Heater Switch (Koolgas Defrost only) (CT.0425304)	(4)	0421238		8 foot case (HE.4850496)	
				0421239		12 foot case (HE.4850497)	
HEATERS				H.		Nosing Anti-sweat Heaters	(9)
E.	Control-Glass Anti-sweat Heaters (Export) Contour Ends 250V, 5amp		(5)	0401605		8 foot case (Discharge) (HE.0401605)	
	0400543	8 & 12 foot cases (CT.4480905)		0401606		12 foot case (Discharge) (HE.4850471)	
				I.		Multiglass - 2 Pane, w/heater (Front & Rear)	(10)
				0420154		8 foot case (GL.4985202)	
				0420155		12 foot case (GL.4980151)	
				0420182		Contour end (GL.4986385)	

NOTE: Revision G corrects heater data on Page 4.

Engineering Plan Views

Single Deck Frozen Food

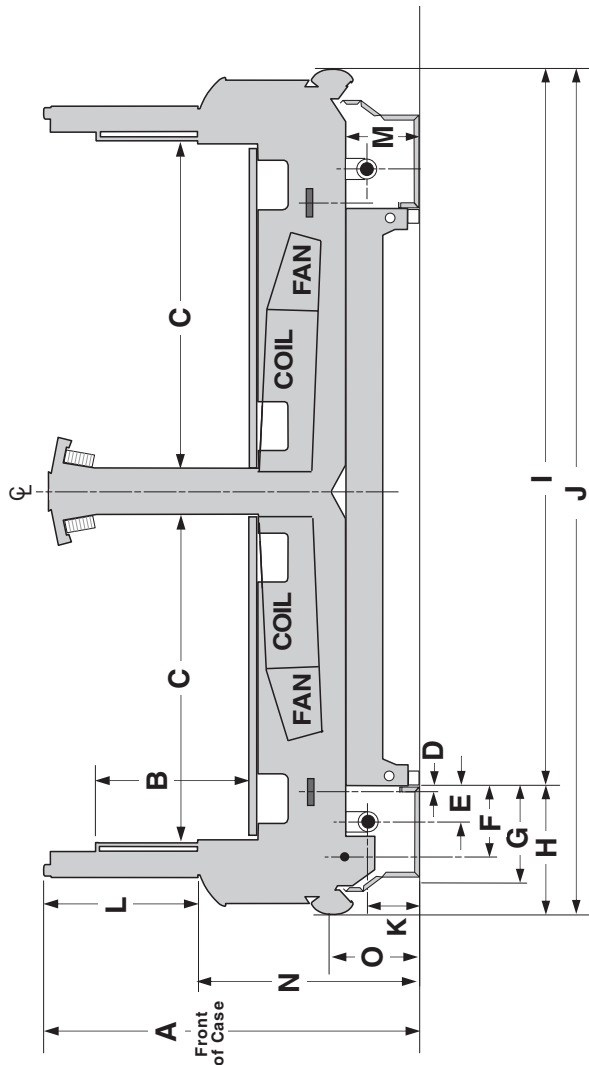
Dimensions shown as inches & (mm).



	8 ft	12 ft
General		
(A) Case Length (<i>without ends or partitions</i>) <i>(Each end and insulated partition adds 2 in. (51 mm) to case line up.)</i> Maximum O/S dimension of case back to front (<i>includes bumper</i>)	96 1/4 (2445)	144 3/8 (3667)
(B) Front of splashguard to O/S edge of front base rail Back of case to O/S edge of front base rail	8 1/2 (216) 69 (1753)	8 1/2 (216) 69 (1753)
(C) Front of case to O/S edge of front base rail Width of base rail Stub-up area (gray) between front base rail and splashguard	12 1/2 (318) 2 1/8 (54) 7 5/8 (194)	12 1/2 (318) 2 1/8 (54) 7 5/8 (194)
Electrical Service (<i>Electrical Field Wiring connection point</i>) RH End of case to center of nearest knockout	5 (127)	5 (127)
(D) Center of knockouts to O/S edge of front base rail	7 (178)	7 (178)
Waste Outlets		
(E) RH End of case to the center of front waste outlet	58 1/4 (1480)	67 7/8 (1724)
(F) Center of waste outlet to O/S of front base rail	3 3/4 (95)	3 3/4 (95)
(G) RH End of case to center of rear waste outlet Back O/S edge of case to center of waste outlet	38 (965) 8 7/8 (225)	76 1/2 (1943) 8 7/8 (225)
Water Seal		
Edge of water seal to center of waste outlet O/S diameter of drip pipe lines Note*: Field installed water seal outlet, tees and connectors are shipped with case.	11 (279) 1 1/2 (38)	11 (279) 1 1/2 (38)
Refrigeration Outlet		
RH end of case to center of RH front and rear refrigeration outlets	5 1/2 (140)	5 1/2 (140)
(H) LH end of case to center of LH front and rear refrigeration outlets Back O/S edge of case to center of refrigeration outlet	88 3/8 (2245) 70 1/4 (1784)	138 7/8 (3527) 70 1/4 (1784)
(I) Center of refrigeration outlet to O/S edge of front skidrail	1 1/4 (32)	1 1/4 (32)

Impact LWG
Frozen Food & Ice Cream

Dimensions shown in inches & (mm).



		Dimensions												
		A	B	C	D	E	F	G	H	I	J	K	L	M
LWG	(MM)	36	15	32	1 1/4	3 3/4	7	8 1/2	12 1/2	69	81 1/2	5	15	7
		914	381	813	32	9.5	178	214	318	1753	2070	127	381	178

		N	O
LWG	(MM)	21	8 1/4
		533	210

REFRIGERATION DATA

Note: This data is based on store temperature and humidity that does not exceed 75°F and 55% R.H.

	FF	IC
Discharge Air (°F)	-12	-22
Evaporator (°F)	-20	-30
Unit Sizing (°F)	-23	-33
Btu/hr/ft	FF	IC
Parallel	775	785
Conventional	800	810

DEFROST DATA

	FF	IC
Frequency (hr)	24	24
Defrost Water (lb/ft/day)	1.5	1.2
<i>(± 15% based on case configuration and product loading).</i>		

ELECTRIC	FF	IC
Temp Term (°F)	48°	48°
Failsafe (minutes)	60	60

GAS	FF	IC
Duration (minutes)	15	18
OFFTIME	Not Recommended	

Standard Defrost Thermostat
Close on rise: close 48°F — open 33°F

CONVENTIONAL CONTROLS

	FF	IC
Low Pressure Backup Control		
CI/CO (Temp °F)*	-27/-39	-27/-39

Indoor Unit Only, Pressure Defrost Termination (Temp °F)*
Not Recommended

*Use a Temperature Pressure Chart to determine PSIG conversions.

PHYSICAL DATA

Merchandiser Drip Pipe (in.)	1 1/4
Merchandiser Liquid Line (in.)	3/8
Merchandiser Suction Line (in.)	5/8

Estimated Charge (lb)**	
8 ft	3.5
12 ft	5.3

**This is an average for all refrigerant types. Actual refrigerant charge may vary by approximately half a pound.

Length Added to Lineup by:	
Each End/Partition (in.)	1 1/2
Each Contoured End	5

NSF Certification

These merchandisers are manufactured to meet ANSI /National Sanitation Foundation (NSF®) Standard #7 requirements.

Impact <big>LWG</big> Frozen Food & Ice Cream
--

Electrical Data

	8 ft	12 ft
Number of Fans – 4W	4	6
(Energy Efficient fan motors are not available for End or End-compartment models)		

	Amperes		Watts	
	8 ft	12 ft	8 ft	12 ft
Evaporator Fans				
120V 60Hz Standard	1.24	1.86	96	144
120V 50Hz Standard	NA			
230V 60Hz Export	0.60	0.90	96	144
230V 50Hz Export	0.72	1.08	108	162
120V 60Hz Energy Efficient	0.56	0.84	40	60
230V 60Hz Energy Efficient	NA			

Nosing Anti-sweat Heaters (on fan circuit)

120V 60Hz Standard	1.88	2.80	224	336
230V 50Hz Export	0.98	1.46	224	336

Glass Anti-sweat Heaters

120V 60Hz Standard	2.44	3.32	294	398
230V 50Hz Export	1.41	1.91	324	439

Cycling Anti-sweat Heaters

120V 60Hz Standard	NA			
230V 50Hz Export	NA			

Minimum Circuit Ampacity

120V 60Hz Standard	5.76	8.18		
120V 50Hz Standard	NA			
230V 60Hz Export				
230V 50Hz Export	3.31	4.65		
120V 60Hz Energy Efficient	5.08	7.16		
230V 60Hz Energy Efficient	NA			

Maximum Over Current Protection 120V

20	20
----	----

Maximum Over Current Protection 230V

15	15
----	----

Electric Defrost Heaters

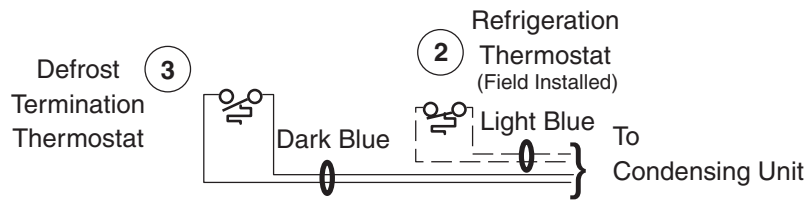
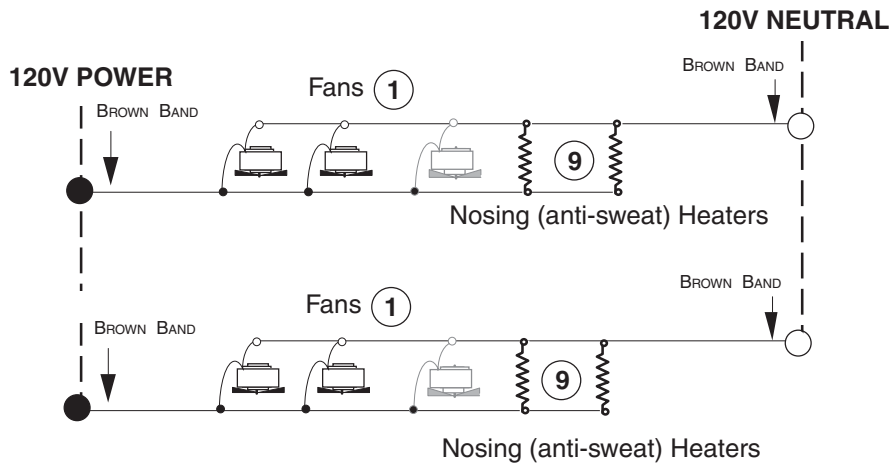
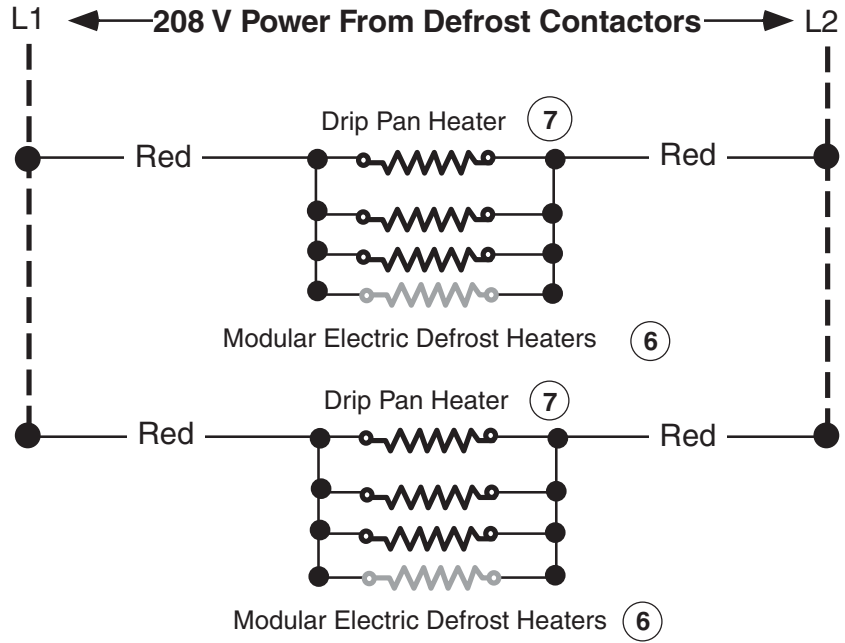
<u>208V</u> 60Hz Standard Front Compartment	8.0	12.0	1670	2505
<u>208V</u> 60Hz Standard Rear Compartment	8.0	12.0	1670	2505
230V 50Hz Export Front Compartment	8.9	13.3	2047	3060
230V 50Hz Export Rear Compartment	8.9	13.3	2047	3060

Koolgas Drip Pan Heaters

120V 60Hz Standard	5.0	7.5	600	900
<u>230V</u> 50Hz Export	NA			

Standard Lighting: None

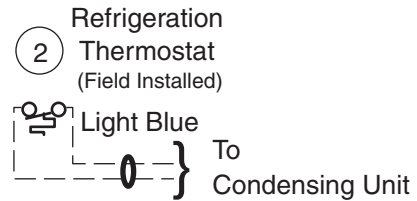
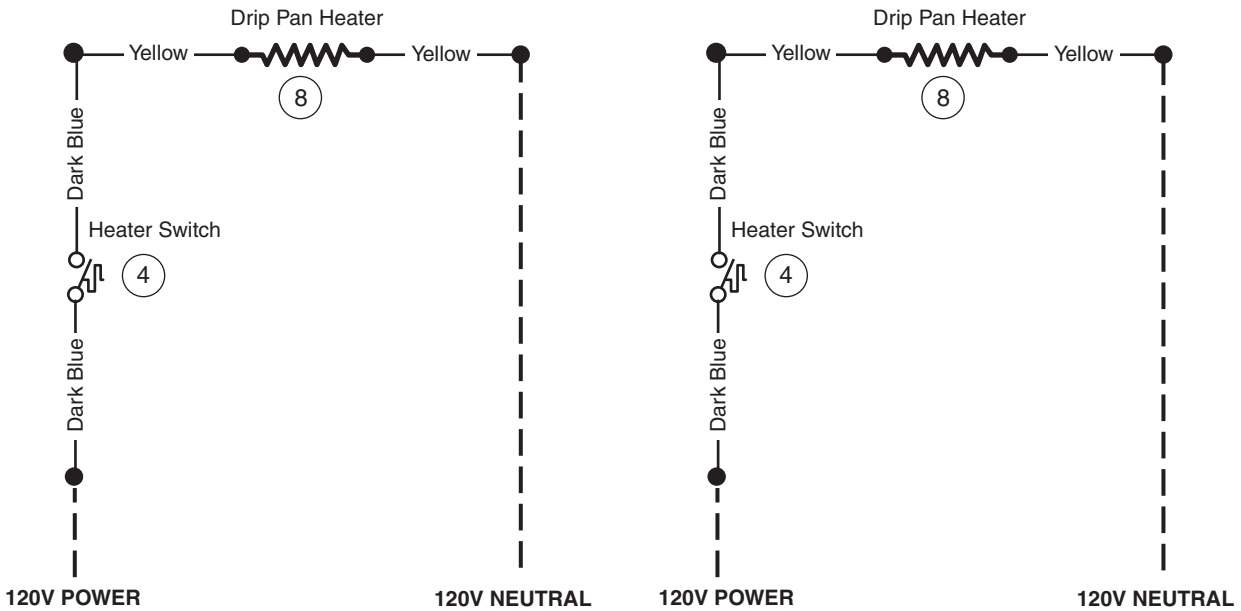
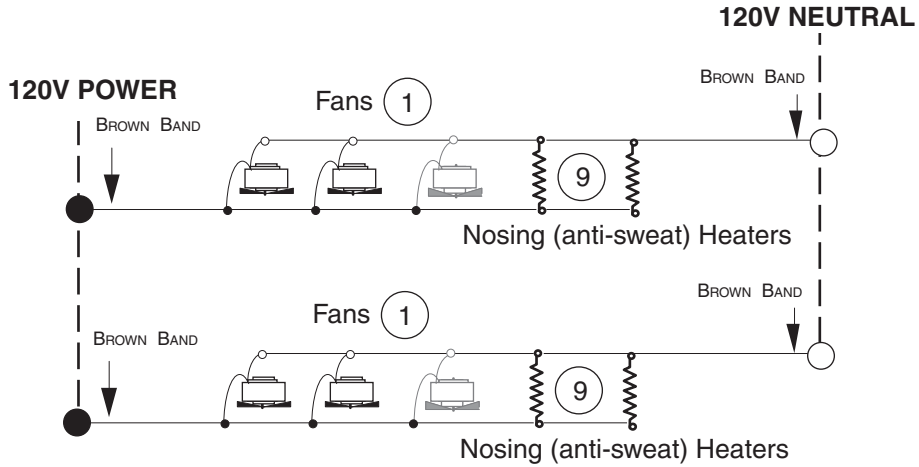
Electric Defrost – Standard



WARNING

All components must have mechanical ground, and the merchandiser must be grounded.
 Circled Numbers = Parts List Item Numbers
 Grayed components in 12 foot models only.

Gas Defrost – Optional

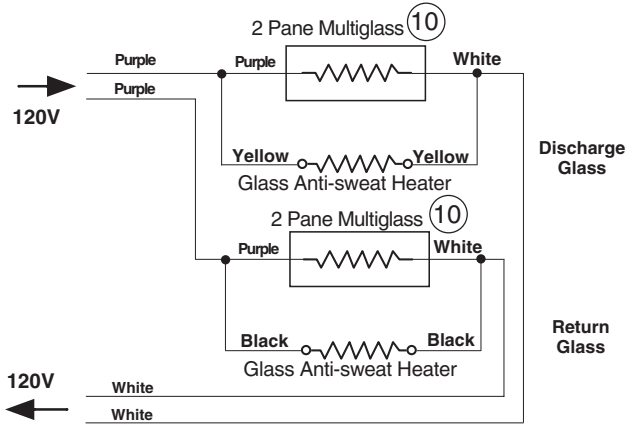


WARNING

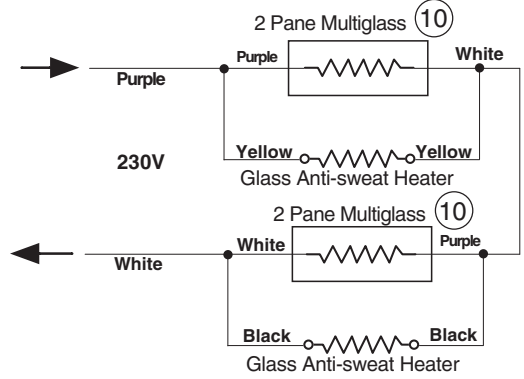
All components must have mechanical ground, and the merchandiser must be grounded.
 Circled Numbers = Parts List Item Numbers
 Grayed components in 12 foot models only.

Glass Anti-sweat Heaters — Domestic & Export

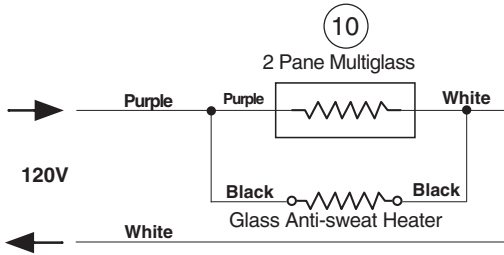
Glass Anti-sweat Heater (Domestic)



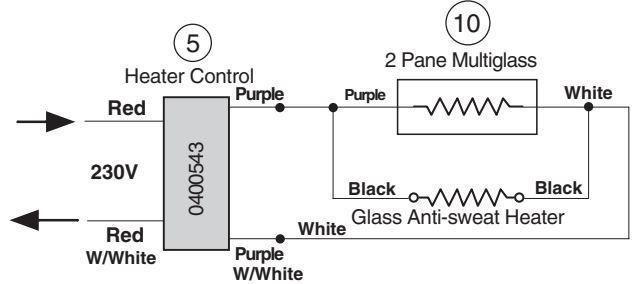
Glass Anti-sweat Heater (Export Only)



**Anti-sweat Heater (Domestic)
LWG Contour Ends**



**Anti-sweat Heater (Export Only)
LWG Contour Ends**



WARNING

All components must have mechanical ground, and the merchandiser must be grounded.
 Circled Numbers = Parts List Item Numbers
 Grayed components in 12 foot models only.