

| Item | Part # | Description | Wiring Item # | Item | Part # | Description | Wiring Item # |
|---------------------------------------|------------------------|---|---------------|---------------------------|---------|---|---------------|
| FAN ASSEMBLIES AND THERMOSTATS | | | | LAMPS AND BALLASTS | | | |
| A. | 9W Fan Assembly | | (1) | D. | 0376409 | Ballast, Electronic 2 lamps | (4) |
| | 0047000 | Fan Motor, Evaporator | | D. | 0376410 | Ballast, Electronic 3 lamps | (4) |
| | 0315470 | Fan Blade embossing toward motor | | E. | | Fluorescent Lamp <i>Replace with like fixtures</i> | (5) |
| B. | <u>0411744</u> | Standard Non-adjustable Defrost Thermostat | (2) | | | | |
| C. | 0137880 | Optional Adjustable Refrigeration Thermostat | (3) | | | | |

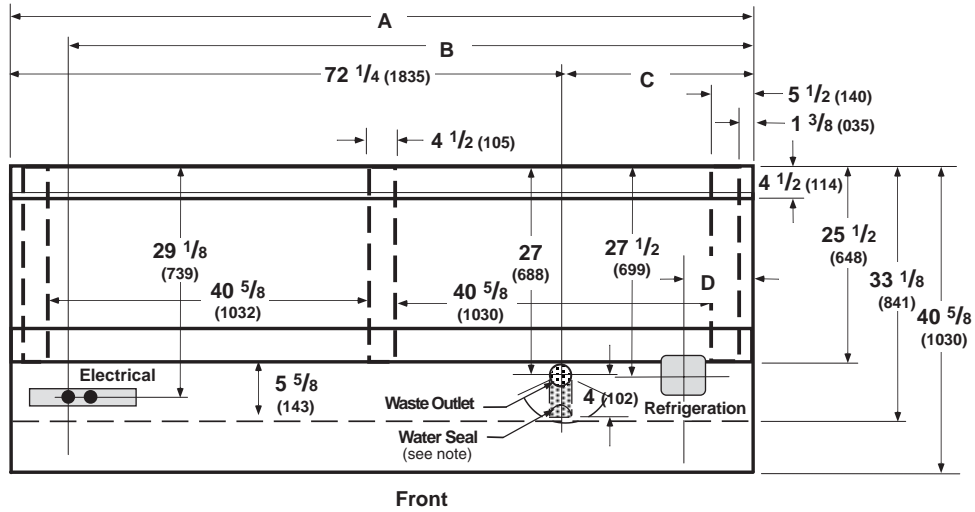
Note: Changed items have been underlined.





Engineering Plan Views

Dimensions shown as in. and (mm).

Narrow Dairy & Delicatessen

04-2003

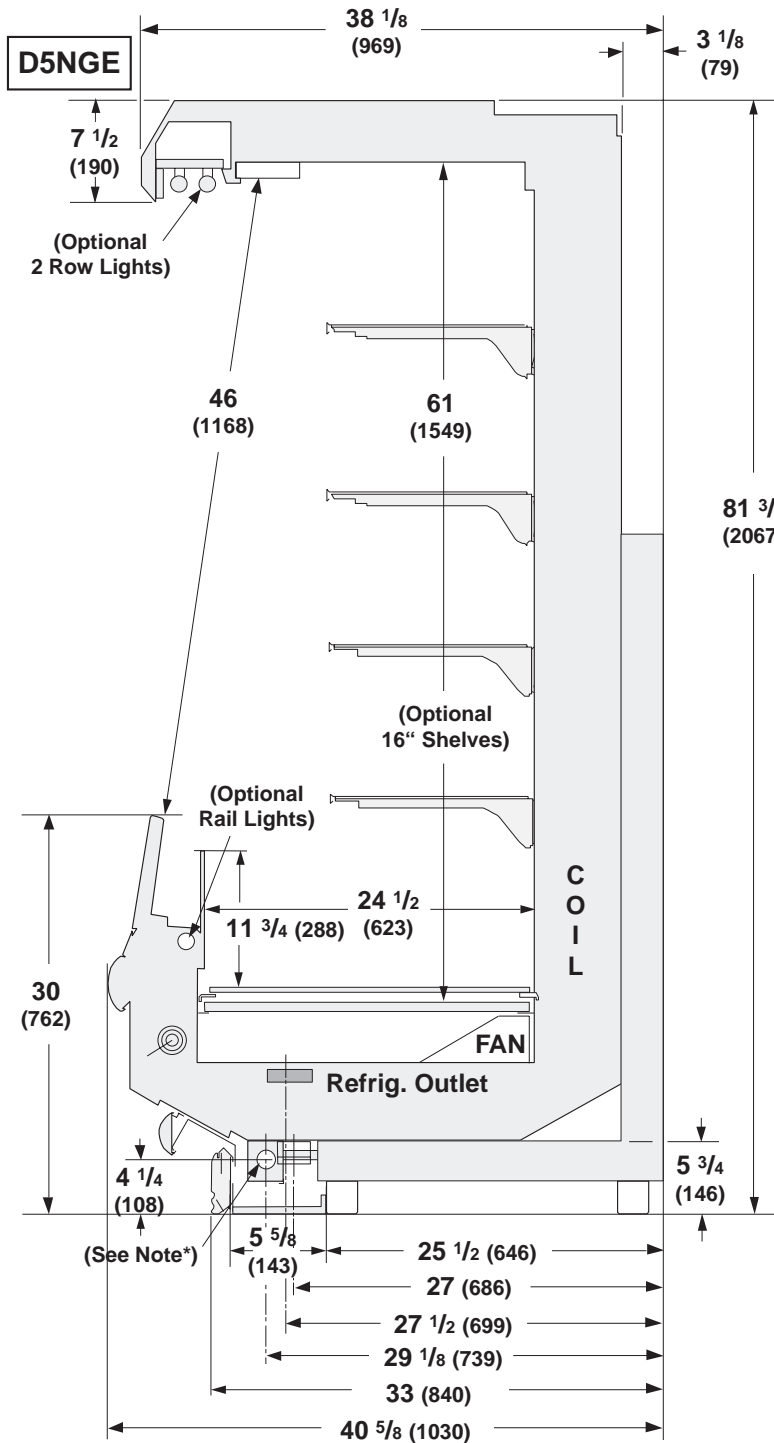


| | 8 ft | 12 ft |
|---|---------------------------------------|--|
| General | | |
| (A) Case Length (<i>without ends or partitions</i>) | 96 ³ / ₈ (2448) | 144 ¹ / ₂ (3670) |
| Maximum O/S dimension of case back to front (<i>includes bumper</i>) | 40 ⁵ / ₈ (1030) | 40 ⁵ / ₈ (1030) |
| Back of case to front of splashguard | 33 (840) | 33 (840) |
| Back of case to O/S edge of front skid rail | 25 ¹ / ₂ (648) | 25 ¹ / ₂ (648) |
| Width of skid rail | 4 ¹ / ₂ (114) | 4 ¹ / ₂ (114) |
| RH end of case to outside edge of external support | 5 ¹ / ₂ (140) | 5 ¹ / ₂ (140) |
| Distance between edges of external support and center support | 40 ⁵ / ₈ (1032) | 40 ⁵ / ₈ (1032) |
| Distance between edges of center supports | NA | 44 (1118) |
| Stub-up area between front skid rail and splashguard | 5 ⁵ / ₈ (143) | 5 ⁵ / ₈ (143) |
| Electrical Service  (<i>Electrical Field Wiring connection point</i>) | | |
| (B) RH End of case to center of farthest knockout | 88 ³ / ₈ (2245) | 136 ¹ / ₂ (3467) |
| Back of case to center of knockout | 29 ¹ / ₈ (739) | 29 ¹ / ₈ (739) |
| Length of electrical raceway | 34 ⁵ / ₈ (878) | 34 ⁵ / ₈ (878) |
| Waste Outlet  | | |
| (C) RH End of case to the center of waste outlet | 24 ¹ / ₈ (613) | 72 ¹ / ₄ (1835) |
| LH End of case to the center of waste outlet | 72 ¹ / ₄ (1835) | 72 ¹ / ₄ (1835) |
| Back O/S of case to center of waste outlet | 27 (686) | 27 (686) |
| Water Seal  | | |
| Edge of water seal to center of waste outlet | 4 (102) | 4 (102) |
| Outside diameter of the drip pipe | 1 ¹ / ₂ (38) | 1 ¹ / ₂ (38) |
| <i>NOTE: Water seal outlet must clear front skid rail; water seal rotation in forward direction only due to low base.</i> | | |
| Refrigeration Outlet  | | |
| Back of case to center of refrigeration outlet | 27 ¹ / ₂ (699) | 27 ¹ / ₂ (699) |
| (D) RH end of case to center of refrigeration outlet | 9 (230) | 9 (230) |

Multi-deck, 5 Display Levels

Impact D5NGE
Dairy & Delicatessen

Dimensions shown as in. and (mm).



NOTE: The bumpers are 4 in. (102 mm) wide. The center of the top bumper is 18 1/8 in. (460 mm) from the floor and the center of the lower bumper is 6 1/8 in. (155 mm) from the floor.

NSF Certification

These merchandisers are manufactured to meet ANSI /National Sanitation Foundation (NSF®) Standard #7 requirements.

REFRIGERATION DATA

Note: This data is based on store temperature and humidity that does not exceed 75°F and 55% R.H.

| | |
|---|--------------|
| | D5NGE |
| Discharge Air °F | 32 |
| Evaporator °F | 24 |
| Unit Sizing °F | 22 |
| Btu/hr/ft* | D5NGE |
| LIT & UNLIT SHELVES | |
| Parallel | 1320 |
| Conventional | 1400 |
| HUSSMANN PEG SHELVES (DELI ONLY) | |
| Parallel | 1350 |
| Conventional | 1435 |

*For all refrigeration equipment other than Hussmann, use conventional Btu values.

DEFROST DATA

| | | |
|--|-------|---|
| Frequency Hrs | 6 | 6 |
| Defrost Water (lb/ft/day) | 10.50 | |
| (± 15% based on case configuration and product loading). | | |

| | |
|-------------------------|--------------|
| OFFTIME | D5NGE |
| Temp Term °F | 48 |
| Failsafe Minutes | 35 |

ELECTRIC OR GAS Not Recommended

Standard Defrost Thermostat

Close on rise: close 48°F — open 33°F

CONVENTIONAL CONTROLS

| | |
|------------------------------------|--------------|
| Low Pressure Backup Control | |
| CI/CO** | D5NGE |
| | 17°F / 7°F |

Indoor Unit Only, Pressure Defrost Termination** 48°F

**Use a Temperature Pressure Chart to determine PSIG conversions.

PHYSICAL DATA

| | |
|---------------------------------|-------|
| Merchandiser Drip Pipe (in.) | 1 1/2 |
| Merchandiser Liquid Line (in.) | 3/8 |
| Merchandiser Suction Line (in.) | 7/8 |

Estimated Charge (lb)*** **D5NGE**

| | |
|--------------|-----|
| 8 ft | 2.7 |
| 12 ft | 3.9 |

***This is an average for all refrigerant types. Actual refrigerant charge may vary by approximately half a pound.

Length Added to Lineup by

| | |
|---------------------------------------|-------|
| Each End (in.) | 1 1/2 |
| Each Insulated Partition (in.) | 1 1/2 |

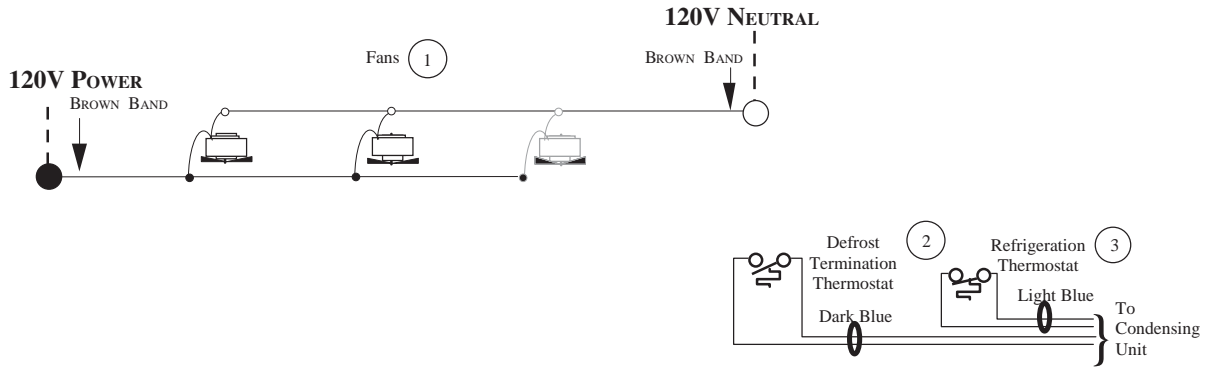
| |
|--|
| Impact D5NGE Dairy & Delicatessen |
|--|

Electrical Data

| | | | | |
|---|----------------|--------------|--------------|--------------|
| Number of Fans | 8 ft | 12 ft | | |
| Refrigeration – 9W | 2 | 3 | | |
| Export – 9W | 2 | 3 | | |
| | Amperes | | Watts | |
| Merchandiser | 8 ft | 12 ft | 8 ft | 12 ft |
| Fans (Refrigeration) | | | | |
| Standard (120V 60Hz) | 1.40 | 2.10 | <u>105</u> | <u>160</u> |
| Energy Efficient (120V 60Hz) | <u>0.76</u> | <u>1.14</u> | <u>50</u> | <u>75</u> |
| Export (230V 50Hz) | <u>0.76</u> | <u>1.14</u> | <u>114</u> | <u>171</u> |
| Constant On Anti-sweat Heaters | NA | NA | NA | NA |
| Cycling Anti-sweat Heaters | NA | NA | NA | NA |
| Minimum Circuit Ampacity | | | | |
| With Standard Fans (120V 60Hz) | 1.60 | 2.30 | | |
| With Energy Efficient Fans (120V 60Hz) | <u>0.96</u> | <u>1.34</u> | | |
| With Export Fans (230V 50Hz) | <u>0.96</u> | <u>1.34</u> | | |
| Maximum Over Current Protection 120V | 20 | 20 | | |
| Export (230V 50Hz) | <u>15</u> | <u>15</u> | | |
| Electric Defrost Heaters (208V 1Φ) | NA | NA | NA | NA |
| Gas Defrost Heaters (208V) | NA | NA | NA | NA |
| Standard Lighting | 8 ft | 12 ft | 8 ft | 12 ft |
| 1 Row Canopy | 0.51 | 0.77 | 59 | 85 |
| Optional Lighting | | | | |
| 1 Row Canopy and 1 Row Rail | 1.02 | 1.54 | 118 | 170 |
| 2 Rows Canopy | 1.02 | 1.54 | 118 | 170 |
| 2 Rows Canopy and 1 Row Rail | 1.53 | 2.31 | 177 | 255 |
| 3 Rows Canopy | 1.53 | 2.31 | 177 | 255 |
| 3 Rows Canopy and 1 Row Rail | 2.04 | 3.08 | 236 | 340 |

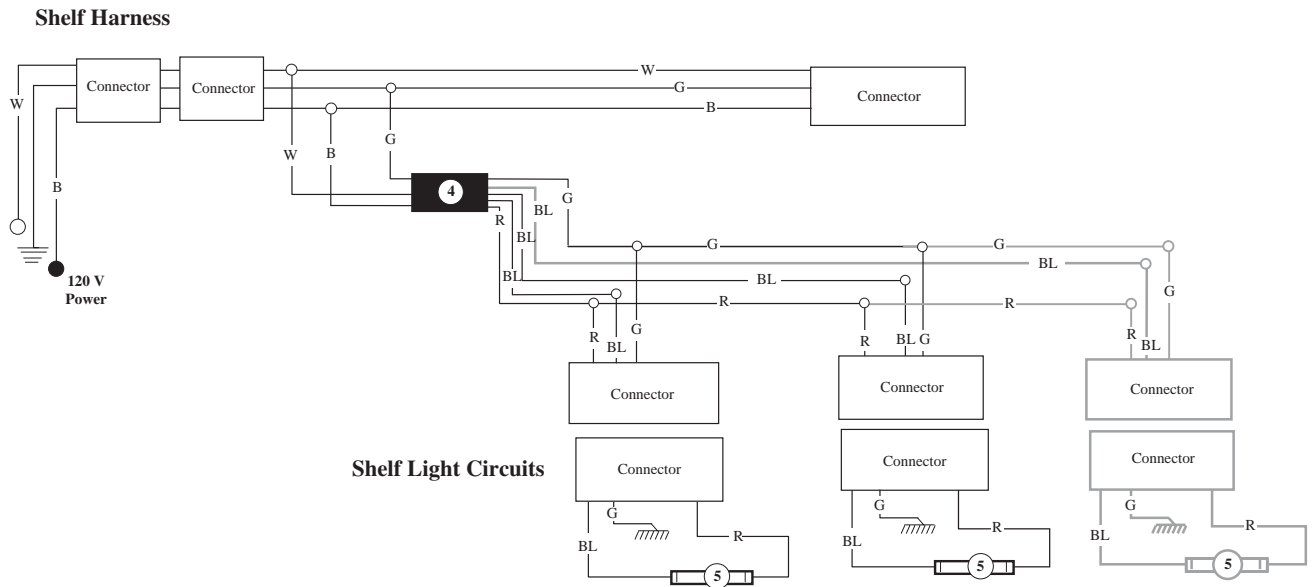
Fan Wiring Offtime Defrost

2 & 3 Fans



Optional Shelf Harness and Light Circuits for One Row of Shelves

Shelf Lighting



WARNING

All components must have mechanical ground, and the merchandiser must be grounded.

CIRCLED NUMBERS = PARTS LIST ITEM NUMBERS

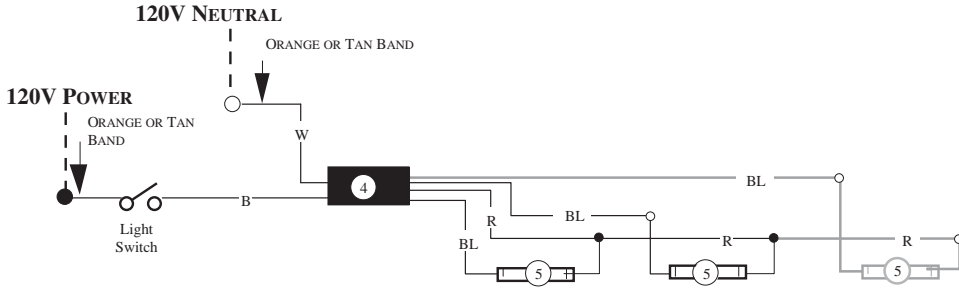
Grayed components in 12 foot models only.

R = Red Y = Yellow G = Green BL = Blue B = Black W = White

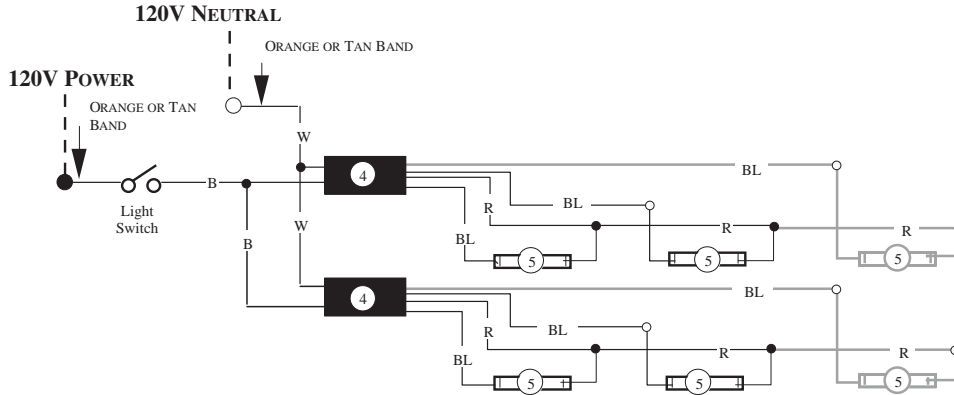
● = 120V POWER ○ = 120V NEUTRAL ≡ = FIELD GROUND ≡≡ = CASE GROUND

Light Circuits

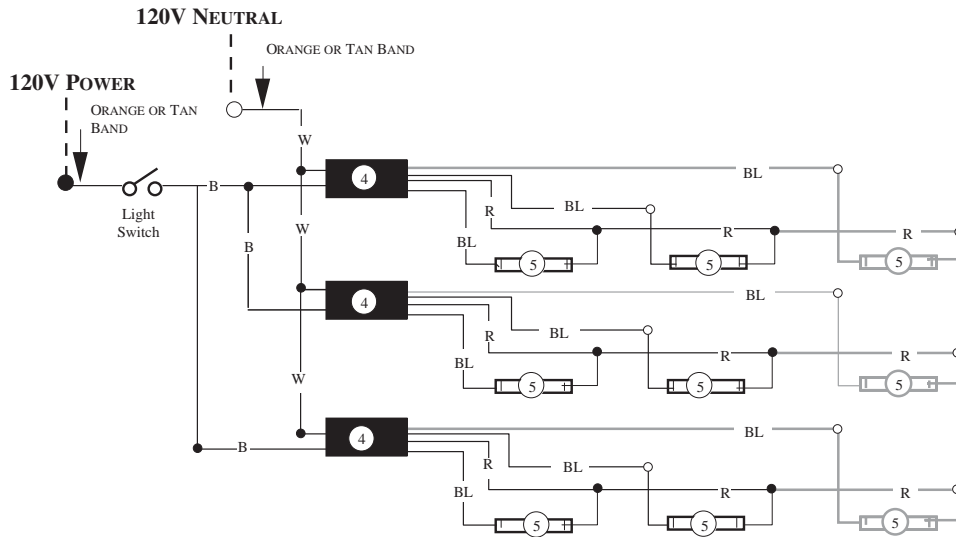
Standard Lighting 1 Row Canopy or Optional 1 Row Rail



Optional Lighting 2 Rows Canopy



Optional Lighting 3 Row Canopy



WARNING

All components must have mechanical ground, and the merchandiser must be grounded.

CIRCLED NUMBERS = PARTS LIST ITEM NUMBERS

Grayed components in 12 foot models only.

R = Red Y = Yellow G = Green BL = Blue B = Black W = White

● = 120V POWER ○ = 120V NEUTRAL