

Item	Part #	Description	Wiring Item #	Item	Part #	Description	Wiring Item #
FAN ASSEMBLIES AND THERMOSTATS				LAMPS AND BALLASTS			
A.	<u>9W Fan Assembly</u>		1	D.	0428648	Ballast, Electronic 2 lamps	4
	0047000	Fan Motor, Evaporator					
	0315470	Fan Blade embossing toward motor		D.	0428649	Ballast Electronic 3 lamps	4
B.	0411744	Standard Non-adjustable Thermostat	2	E.		Fluorescent Lamp <i>Replace with like fixtures</i>	5
C.	0137880	Optional Adjustable Refrigeration Thermostat	3				

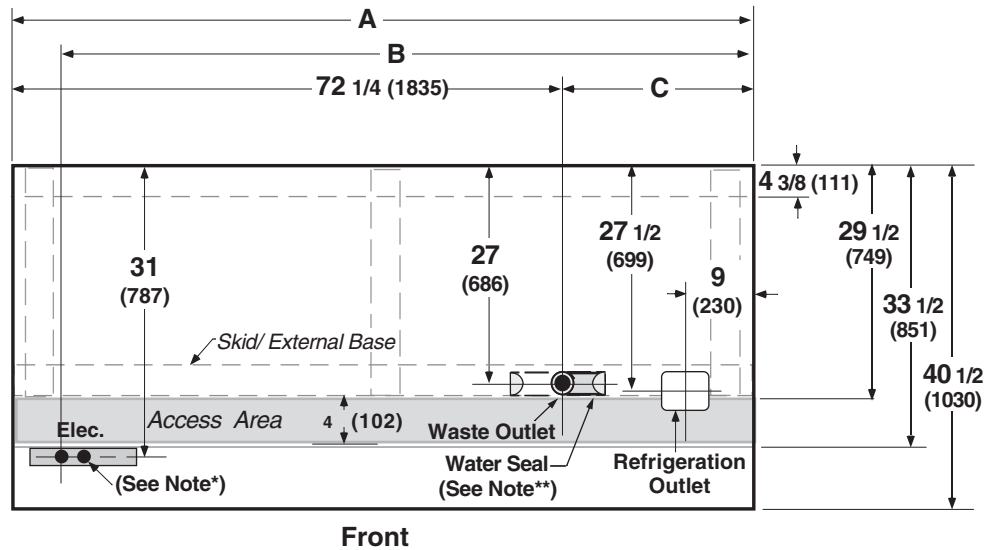
Note: Changed items have been underlined.





Engineering Plan View

Dimensions shown as inches and (mm).

Narrow Meat and Delicatessen

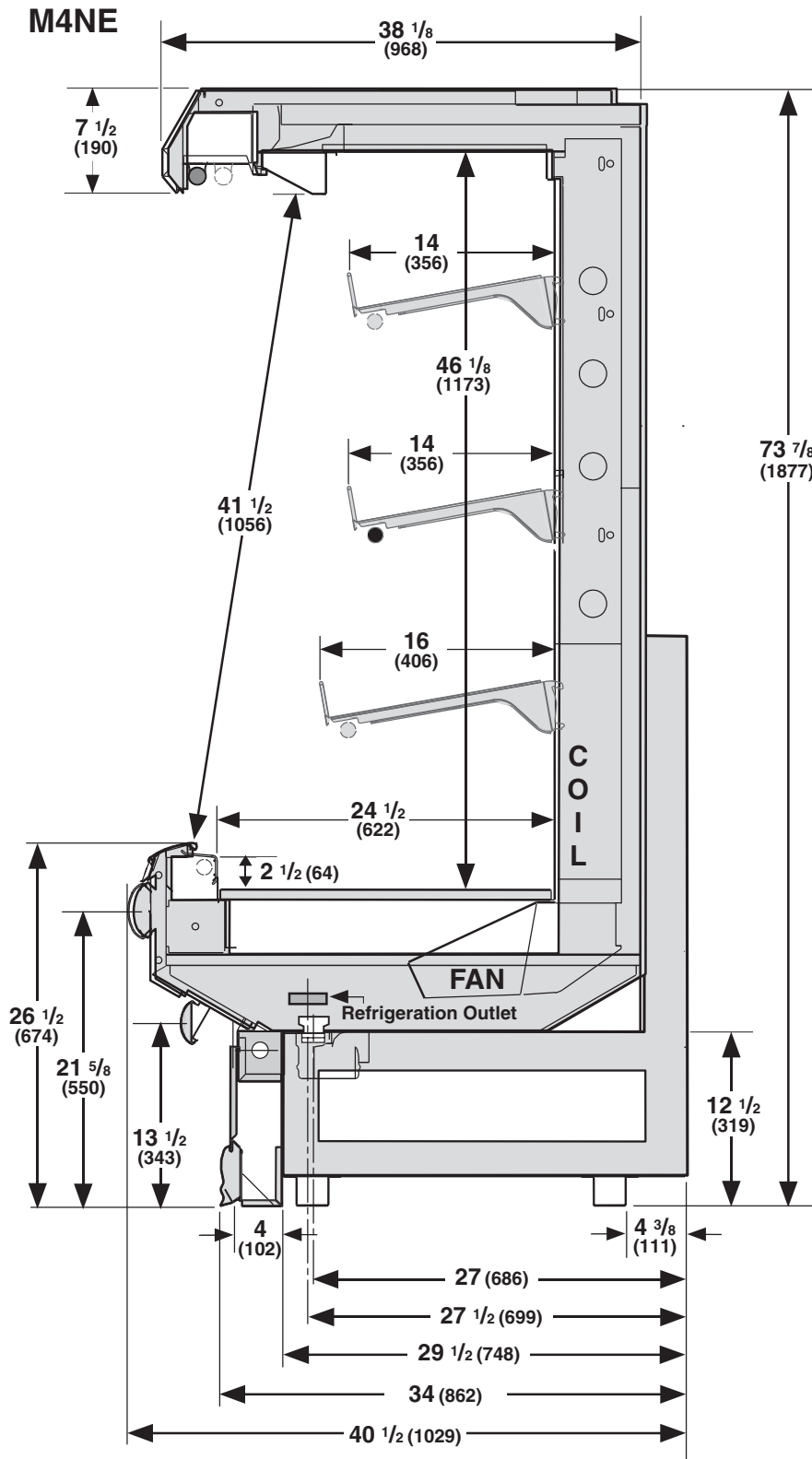
09-2003



General	8 Ft	12 ft
(A) Length of Case (<i>without ends or partitions</i>)	96 3/8 (2448)	144 1/2 (3670)
Maximum outside dimensions of case back to front (<i>includes bumper</i>)	46 1/4 (1174)	46 1/4 (1174)
Back of case to front of splashguard	35 1/8 (891)	35 1/8 (891)
Back of case to outside edge of front skidrail	29 1/2 (749)	29 1/2 (749)
Width of skidrail	4 1/2 (114)	4 1/2 (114)
Right end of case to inside edge of external support	5 1/2 (140)	5 1/2 (140)
Distance between inside edges of external support and center support	40 5/8 (1032)	40 5/8 (1032)
Distance between inside edges of center supports	NA	44 (1118)
Width of external support	4 1/8 (105)	4 1/8 (105)
Stub-up area between front skidrail and splashguard	4 (102)	4 (102)
Right edge of case (excluding end) to inside edge of external support	1 3/8 (35)	1 3/8 (35)
Electrical Service 		
(B) Right end of case to center of farthest knockout	88 3/8 (2245)	136 1/2 (3467)
Back outside of case to center of knockout	30 1/2 (775)	30 1/2 (775)
Length of electrical raceway	34 1/2 (878)	34 1/2 (878)
*Note: <i>Electrical Field Wiring Connection Point</i>		
Waste Outlet 		
(C) Right end of case to center of waste outlet	24 1/8 (613)	72 1/4 (1835)
Left end of case to center of waste outlet	72 1/4 (1835)	72 1/4 (1835)
Back outside of case to center of waste outlet	27 1/2 (699)	27 1/2 (699)
Water Seal 		
Edge of water seal to center of waste outlet	4 (102)	4 (102)
Outside diameter of drip pipe	1 1/2 (38)	1 1/2 (38)
**Note: <i>Water seal outlet must clear front skid rail.</i>		
Refrigeration Outlet 		
Right end of case to center of refrigeration outlet	9 (230)	9 (230)
Back outside of case to center of refrigeration outlet	30 5/8 (778)	30 5/8 (778)

Multi-deck, 4 Display Levels

Dimensions shown as inches and (mm).



**Impact M4NE
Narrow
Meat and Delicatessen**

REFRIGERATION DATA

Note: This data is based on store temperature and humidity that does not exceed 75°F and 55% R.H.

	M4NE
Discharge Air °F	29
Evaporator °F	21
Unit Sizing °F	19
Btu/hr/ft**	M4NE
Parallel	1525
Conventional	1630

**For all refrigeration equipment other than Hussmann, use conventional BTU values.

DEFROST DATA

	M4NE
Frequency (hr)	6
Defrost Water (lb/ft/day)	8

(±15% based on case configuration and product loading.)

OFFTIME	M4NE
Temp Term °F	48°F
Failsafe Minutes	30

ELECTRIC OR GAS Not Recommended

Standard Defrost Thermostat
Close on rise: close 48°F – open 33°F

CONVENTIONAL CONTROLS

Low Pressure Backup Control
C/CO** 14/4°F

Indoor Unit Only, Pressure Defrost Termination** 48°F

**Use a Temperature Pressure Chart to determine PSIG conversions.

PHYSICAL DATA

Merchandise Drip Pipe (in.)	1 1/2
Liquid Line (in.)	3/8
Suction Line (in.)	7/8

Estimated Charge (lbs)***

	M4NE
8 ft	2.7
12 ft	3.9

***This is an average for all refrigerant types actual refrigerant charge may vary by approximately half a pound.

Length (in.) Added to Lineup by Each End or Insulated Partition 1 1/2

NSF Certification

These merchandisers are manufactured to meet ANSI /National Sanitation Foundation (NSF®) Standard #7 requirements.

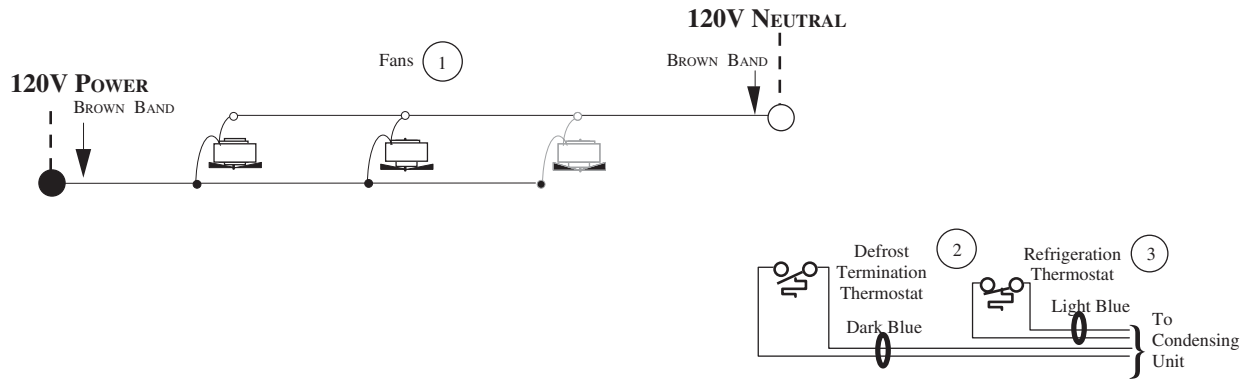
Impact M4NE Narrow Meat and Delicatessen

Electrical Data

	8 Ft	12 Ft		
Number of Fans — 9W	<u>2</u>	<u>3</u>		
	Amperes		Watts	
Merchandiser	8 Ft	12 Ft	8 Ft	12 Ft
Fans				
Standard (120V 60Hz)	<u>1.40</u>	<u>2.10</u>	<u>110</u>	<u>165</u>
Energy Efficient (120V 60Hz)	<u>0.76</u>	<u>1.14</u>	<u>50</u>	<u>75</u>
Export (230V 50Hz)	<u>0.76</u>	<u>1.14</u>	<u>114</u>	<u>171</u>
Constant on Anti-sweat Heaters	NA			
Cycling Anti-sweat Heaters	NA			
Minimum Circuit Ampacity				
With Standard Fans (120V 60Hz)	<u>1.60</u>	<u>2.30</u>		
Export (230V 50Hz)	<u>0.96</u>	<u>1.34</u>		
With Energy Efficient Fans (120V 60Hz)	<u>0.96</u>	<u>1.34</u>		
Maximum Over Current Protection 120V	20	20		
Maximum Over Current Protection 230V	15	15		
Supplemental Gas Heaters	NA			
208V 1Φ Electric Defrost	NA			
Standard Lighting				
1 Row Canopy	0.51	0.77	59	85
Optional Lighting				
1 Row Canopy and 1 Rail	1.02	1.54	118	170
2 Rows Canopy	1.02	1.54	118	170
2 Rows Canopy and 1 Row Rail	1.53	2.31	177	255
Optional Shelf Lighting				
1 Row of Shelves	0.51	0.77	59	85
2 Rows of Shelves	1.02	1.54	118	170
3 Rows of Shelves	1.53	2.31	177	255

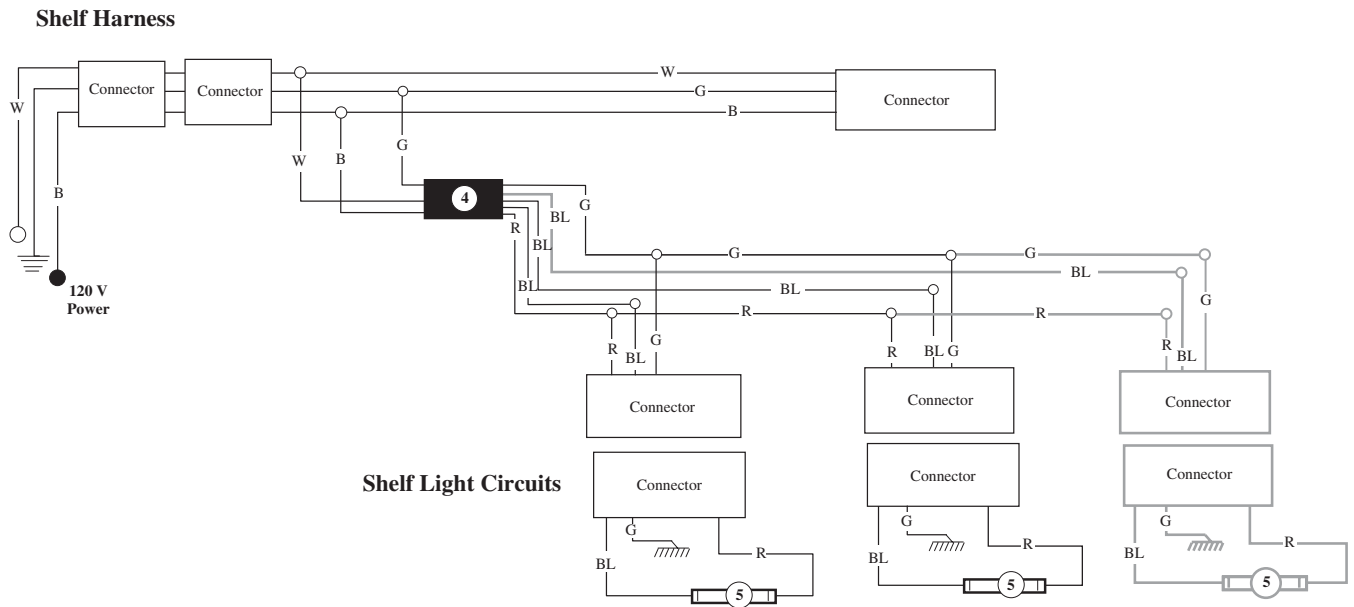
Fan Wiring Offtime Defrost

2 & 3 Fans



Optional Shelf Harness and Light Circuits for One Row of Shelves

Shelf Lighting



WARNING

All components must have mechanical ground, and the merchandiser must be grounded.

CIRCLED NUMBERS = PARTS LIST ITEM NUMBERS

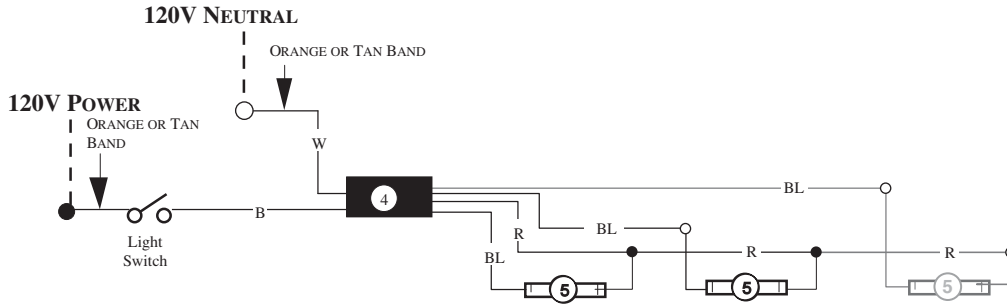
Grayed components in 12 foot models only.

R = Red Y = Yellow G = Green BL = Blue B = Black W = White

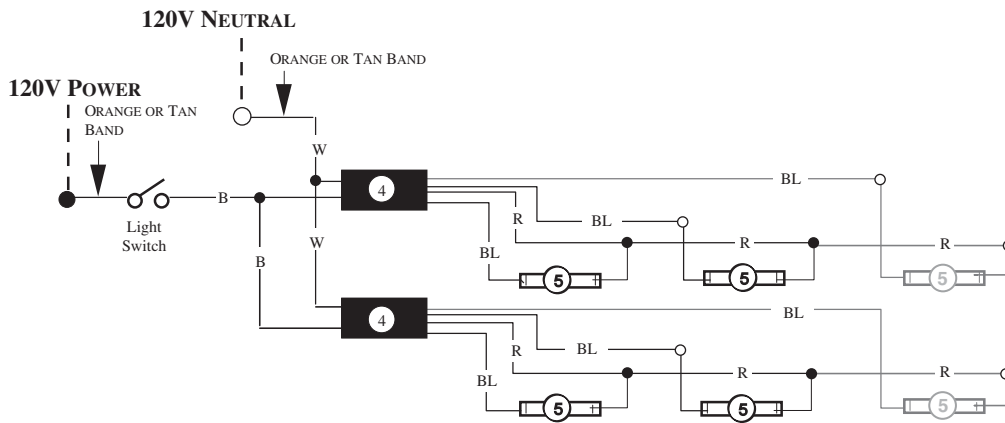
● = 120V POWER ○ = 120V NEUTRAL ≡ = Field GROUND ≡≡ = Case GROUND

Light Circuits

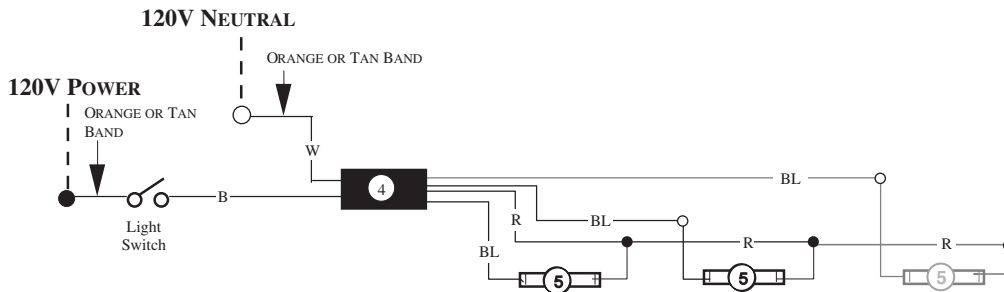
Standard Lighting 1 Row Canopy



Optional Lighting 2 Row Canopy



Optional Lighting 1 Row Rail



WARNING

All components must have mechanical ground, and the merchandiser must be grounded.

CIRCLED NUMBERS = PARTS LIST ITEM NUMBERS

Grayed components in 12 foot models only.

R = Red Y = Yellow G = Green BL = Blue B = Black W = White

● = 120V POWER ○ = 120V NEUTRAL