

Item	Part #	Description	Wiring Item #	Item	Part #	Description	Wiring Item #
FAN ASSEMBLIES AND THERMOSTATS				LAMPS AND BALLASTS			
A.	<u>9W Fan Assembly</u>		1	D.	0428648	Ballast, Electronic 2 lamps	4
	0047000	Fan Motor, Evaporator					
	0315470	Fan Blade embossing toward motor		D.	0428649	Ballast Electronic 3 lamps	4
B.	0411744	Standard Non-adjustable Thermostat	2	E.		Fluorescent Lamp <i>Replace with like fixtures</i>	5
C.	0137880	Optional Adjustable Refrigeration Thermostat	3				

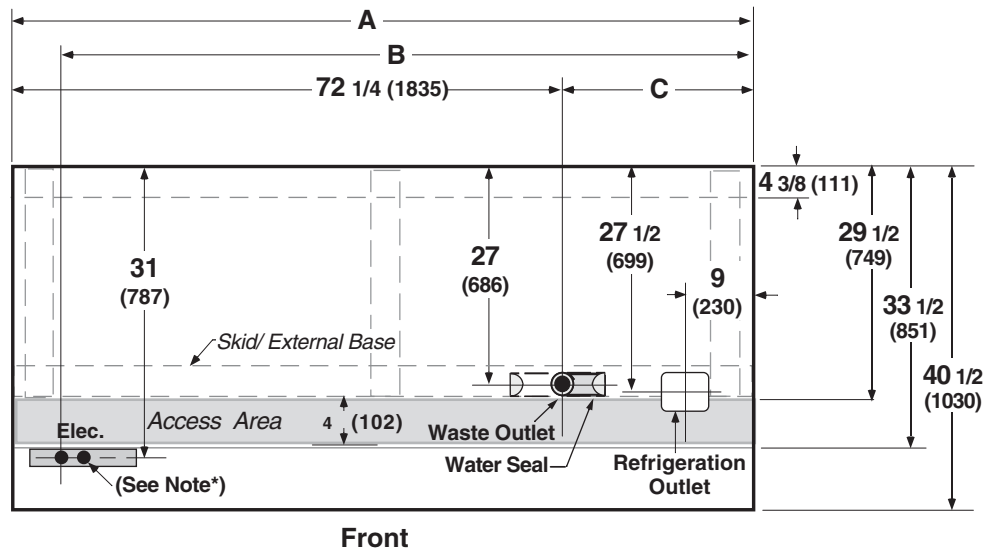
Note: Changed items have been underlined.





Engineering Plan View

Dimensions shown as inches and (mm).

Narrow Meat and Delicatessen

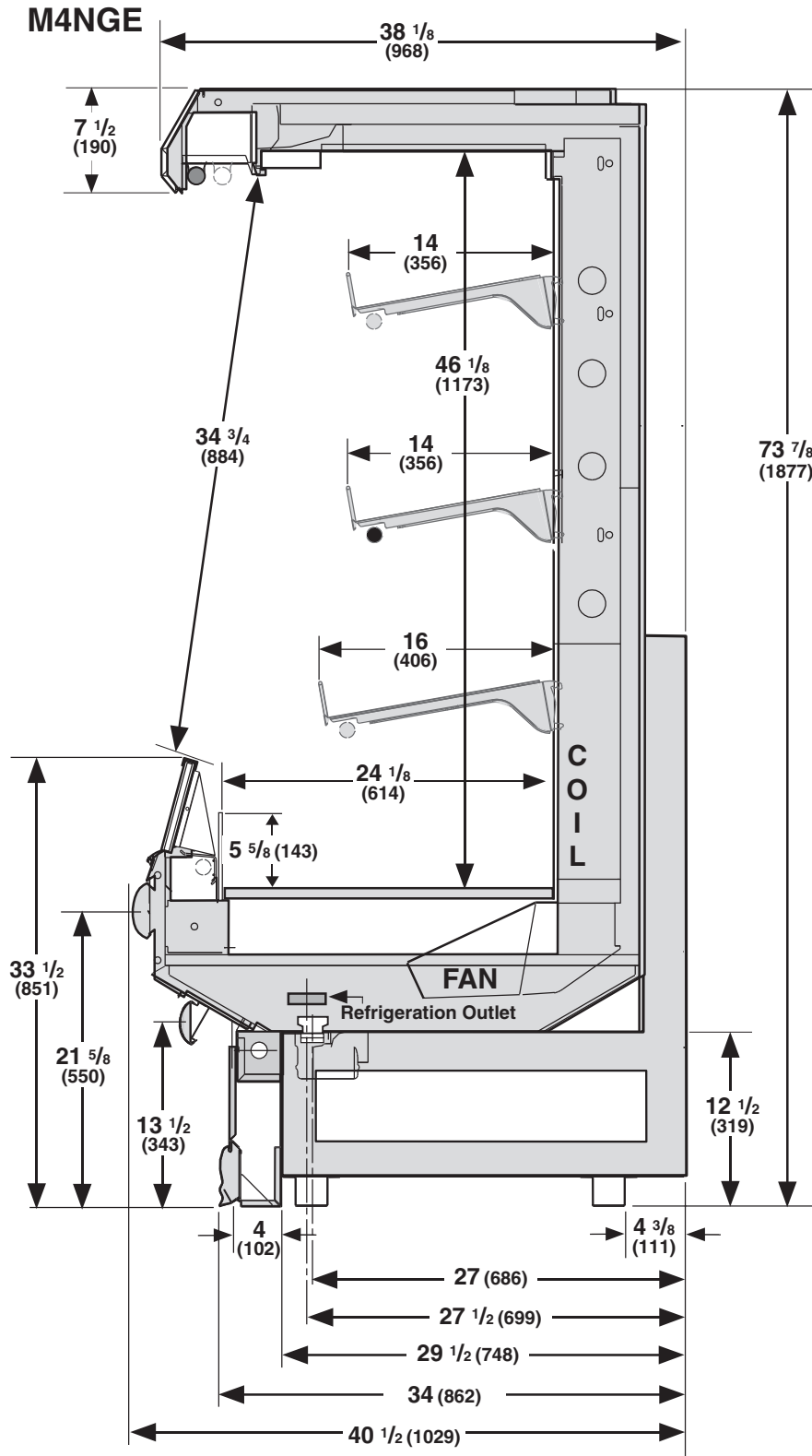
09-2003



General	8 Ft	12 ft
(A) Length of Case (<i>without ends or partitions</i>)	96 3/8 (2448)	144 1/2 (3670)
Maximum outside dimensions of case back to front (<i>includes bumper</i>)	40 1/2 (1030)	40 1/2 (1030)
Back of case to front of splashguard	33 1/2 (851)	33 1/2 (851)
Back of case to outside edge of front skidrail	29 1/2 (749)	29 1/2 (749)
Width of skidrail	4 1/2 (114)	4 1/2 (114)
Stub-up area between front skidrail and splashguard	4 (102)	4 (102)
Electrical Service 		
(B) Right end of case to center of farthest knockout	88 3/8 (2245)	136 1/2 (3467)
Back outside of case to center of knockout	31 (787)	31 (787)
Length of electrical raceway	34 1/2 (878)	34 1/2 (878)
<i>*Note: Electrical Field Wiring Connection Point</i>		
Waste Outlet 		
(C) Right end of case to center of waste outlet	24 1/8 (613)	72 1/4 (1835)
Left end of case to center of waste outlet	72 1/4 (1835)	72 1/4 (1835)
Back outside of case to center of waste outlet	27 (686)	27 (686)
Water Seal 		
Edge of water seal to center of waste outlet	4 (102)	4 (102)
Outside diameter of drip pipe	1 1/2 (38)	1 1/2 (38)
<i>*Note: Water seal outlet must clear front skid rail.</i>		
Refrigeration Outlet 		
Right end of case to center of refrigeration outlet	9 (230)	9 (230)
Back outside of case to center of refrigeration outlet	27 1/2 (699)	27 1/2 (699)

Impact M4NGE
Narrow
Meat and Delicatessen

Dimensions shown as inches and (mm).



REFRIGERATION DATA

Note: This data is based on store temperature and humidity that does not exceed 75°F and 55% R.H.

	M4NGE
Discharge Air °F	29
Evaporator °F	21
Unit Sizing °F	19

	M4NGE
Btu/hr/ft**	1260
Conventional	1350

**For all refrigeration equipment other than Hussmann, use conventional BTU values.

DEFROST DATA

	M4NGE
Frequency (hr)	6
Defrost Water (lb/ft/day)	8

(±15% based on case configuration and product loading.)

	M4NGE
OFFTIME	48°F
Temp Term °F	35
Failsafe Minutes	

ELECTRIC OR GAS Not Recommended

Standard Defrost Thermostat

Close on rise: close 48°F – open 33°F

CONVENTIONAL CONTROLS

Low Pressure Backup Control
CI/CO** 14/4°F

Indoor Unit Only, Pressure Defrost
Termination** 48°F

**Use a Temperature Pressure Chart to determine PSIG conversions.

PHYSICAL DATA

Merchandiser Drip Pipe (in.)	1 1/2
Liquid Line (in.)	3/8
Suction Line (in.)	7/8

Estimated Charge (lbs)***

	M4NGE
8 ft	2.7
12 ft	3.9

***This is an average for all refrigerant types actual refrigerant charge may vary by approximately half a pound.

**Length (in.) Added to Lineup
by Each End or Insulated
Partition**

1 1/2

NSF Certification

These merchandisers are manufactured to meet ANSI /National Sanitation Foundation (NSF®) Standard #7 requirements.

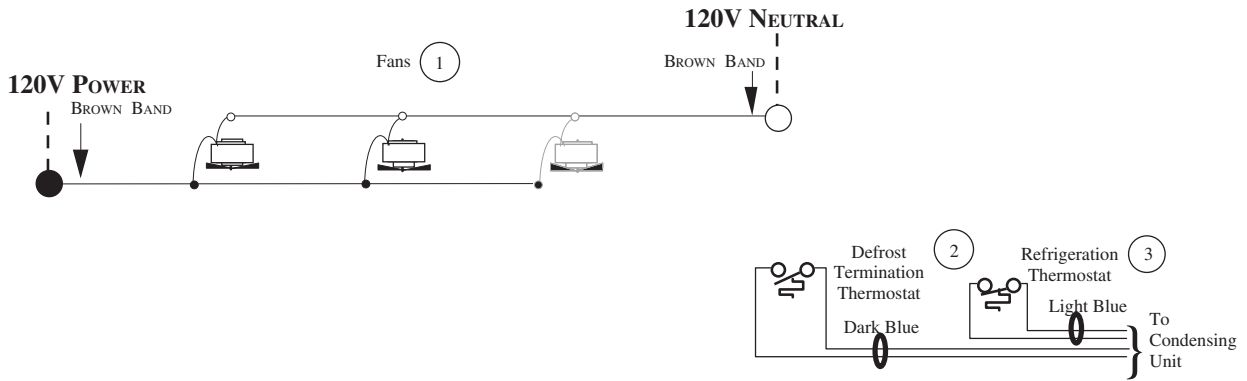
Impact M4NGE Narrow Meat and Delicatessen
--

Electrical Data

	8 Ft	12 Ft		
Number of Fans — 9W	<u>2</u>	<u>3</u>		
	Amperes		Watts	
Merchandiser	8 Ft	12 Ft	8 Ft	12 Ft
Fans				
Standard (120V 60Hz)	1.40	2.10	<u>110</u>	<u>165</u>
Energy Efficient (120V 60Hz)	<u>0.76</u>	<u>1.14</u>	<u>50</u>	<u>75</u>
Export (230V 50Hz)	<u>0.76</u>	<u>1.14</u>	<u>114</u>	<u>171</u>
Constant on Anti-sweat Heaters	NA			
Cycling Anti-sweat Heaters	NA			
Minimum Circuit Ampacity				
With Standard Fans (120V 60Hz)	1.60	2.30		
Export (230V 50Hz)	<u>0.96</u>	<u>1.34</u>		
With Energy Efficient Fans (120V 60Hz)	<u>0.96</u>	<u>1.34</u>		
Maximum Over Current Protection 120V	20	20		
Maximum Over Current Protection 230V	15	15		
Supplemental Gas Heaters	NA			
208V 1Φ Electric Defrost	NA			
Standard Lighting				
1 Row Canopy	0.51	0.77	59	85
Optional Lighting				
1 Row Canopy and 1 Rail	1.02	1.54	118	170
2 Rows Canopy	1.02	1.54	118	170
2 Rows Canopy and 1 Row Rail	1.53	2.31	177	255
Optional Shelf Lighting				
1 Row of Shelves	0.51	0.77	59	85
2 Rows of Shelves	1.02	1.54	118	170
3 Rows of Shelves	1.53	2.31	177	255

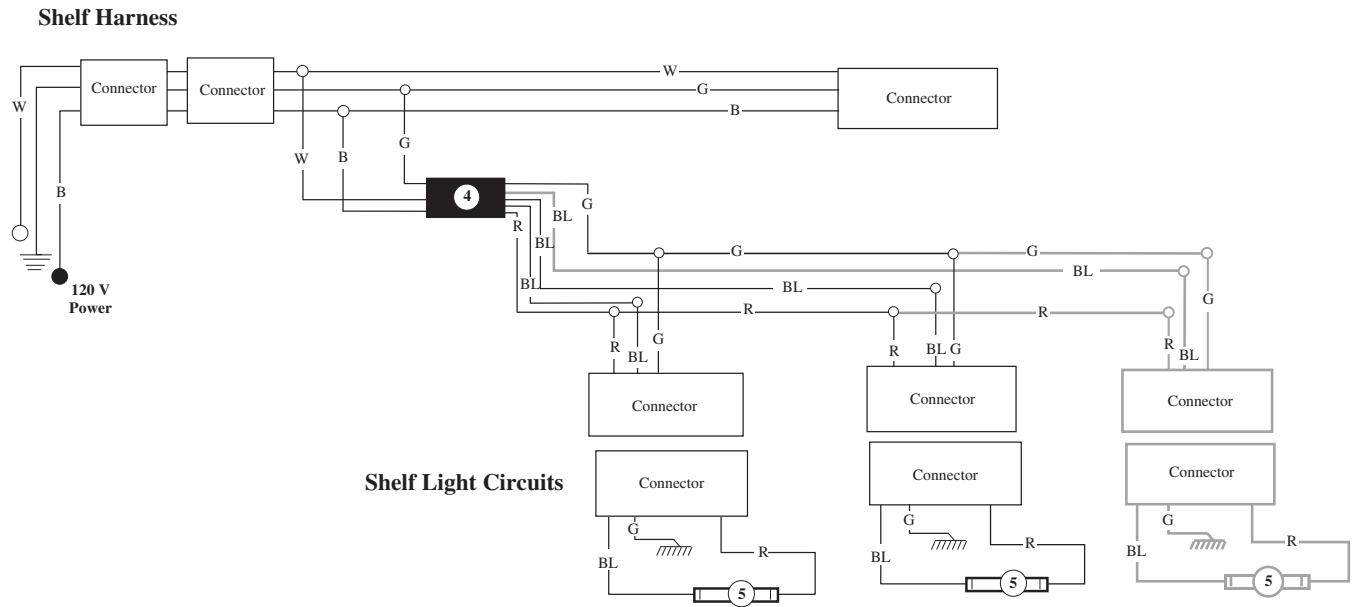
2 & 3 Fans

Fan Wiring Offtime Defrost



Optional Shelf Harness and Light Circuits for One Row of Shelves

Shelf Lighting



WARNING

All components must have mechanical ground, and the merchandiser must be grounded.

CIRCLED NUMBERS = PARTS LIST ITEM NUMBERS

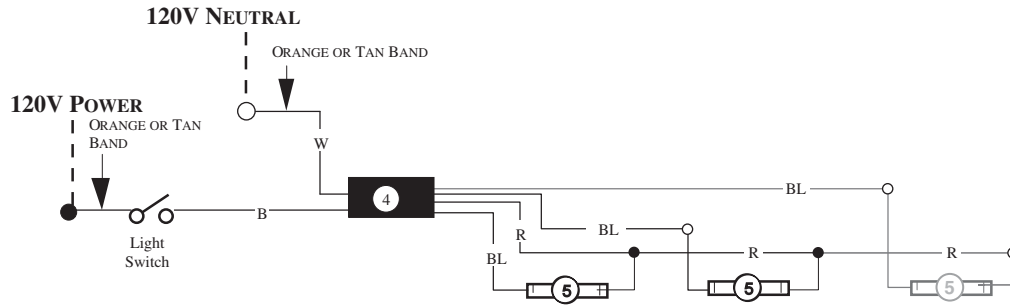
Grayed components in 12 foot models only.

R = Red Y = Yellow G = Green BL = Blue B = Black W = White

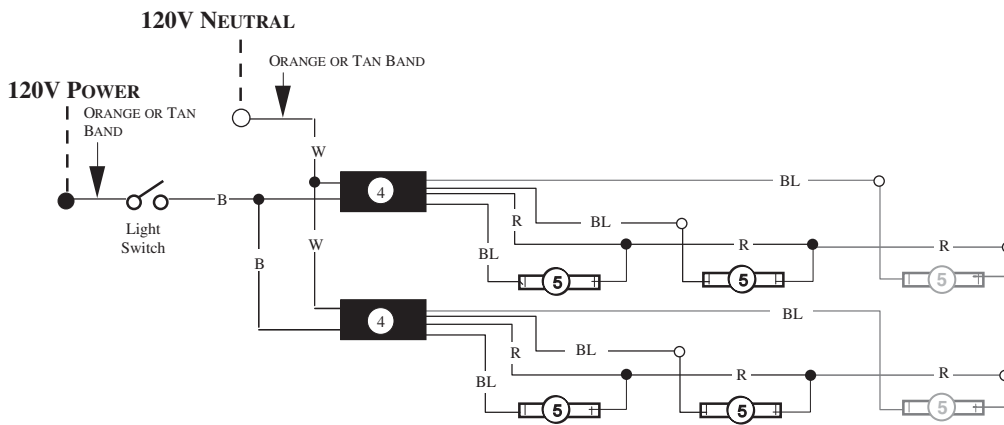
● = 120V POWER ○ = 120V NEUTRAL ≡ = Field GROUND ≡≡ = Case GROUND

Light Circuits

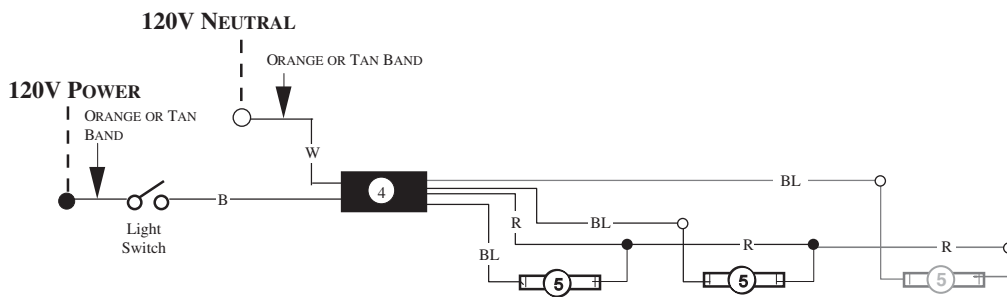
Standard Lighting 1 Row Canopy



Optional Lighting 2 Row Canopy



Optional Lighting 1 Row Rail



WARNING

All components must have mechanical ground, and the merchandiser must be grounded.

CIRCLED NUMBERS = PARTS LIST ITEM NUMBERS

Grayed components in 12 foot models only.

R = Red Y = Yellow G = Green BL = Blue B = Black W = White

● = 120V POWER ○ = 120V NEUTRAL