

Item	Part #	Description	Wiring Item #	Item	Part #	Description	Wiring Item #
FAN ASSEMBLIES AND THERMOSTATS				LAMPS AND BALLASTS			
A.	9W Fan Assembly		(1)	D.	<u>0428648</u>	Ballast, Electronic 2 lamps	(4)
	0047000	Fan Motor, Evaporator					
	0380485	Fan Blade embossing toward motor		D.	<u>0428649</u>	Ballast, Electronic 3 lamps	(4)
B.	0411744	Standard Non-adjustable Defrost Thermostat	(2)	E.		Fluorescent Lamp <i>Replace with like fixtures</i>	(5)
C.	0137880	Optional Adjustable Refrigeration Thermostat	(3)				

Note: Changed items have been underlined.

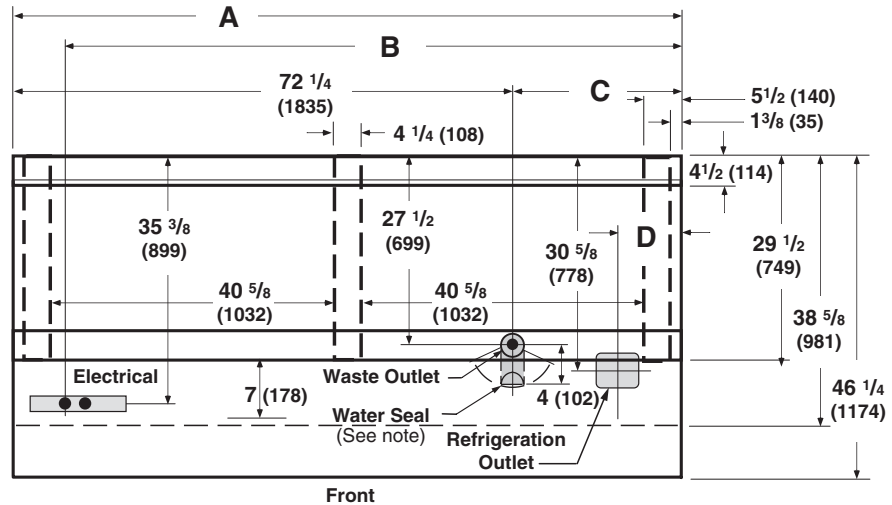
Engineering Plan Views

Dimensions shown as inches and (mm).

Meat/Dairy/Delicatessen Precut & Packaged Produce

01-2004

C6E
C6LE
C6GE
C6HE



General

- (A)** Case Length (*without ends or partitions*)
 Maximum O/S dimension of case back to front (*includes bumper*)
 Back of case to front of splashguard
 Back of case to O/S edge of front skid rail
 Width of skid rail
 RH end of case to outside edge of external support
 Distance between edges of external support and center support
 Distance between edges of center supports
 Stub-up area between front skid rail and splashguard

Electrical Service (*Electrical Field Wiring connection point*)

- (B)** RH End of case to center of farthest knockout
 Back of case to center of knockout
Length of electrical raceway

Waste Outlet

- (C)** RH End of case to the center of waste outlet
 LH End of case to the center of waste outlet
 Back O/S of case to center of waste outlet

Water Seal

- Edge of water seal to center of waste outlet
 Outside diameter of the drip pipe

*NOTE: Water seal outlet must clear front skid rail;
 water seal rotation in forward direction only due to low base.*

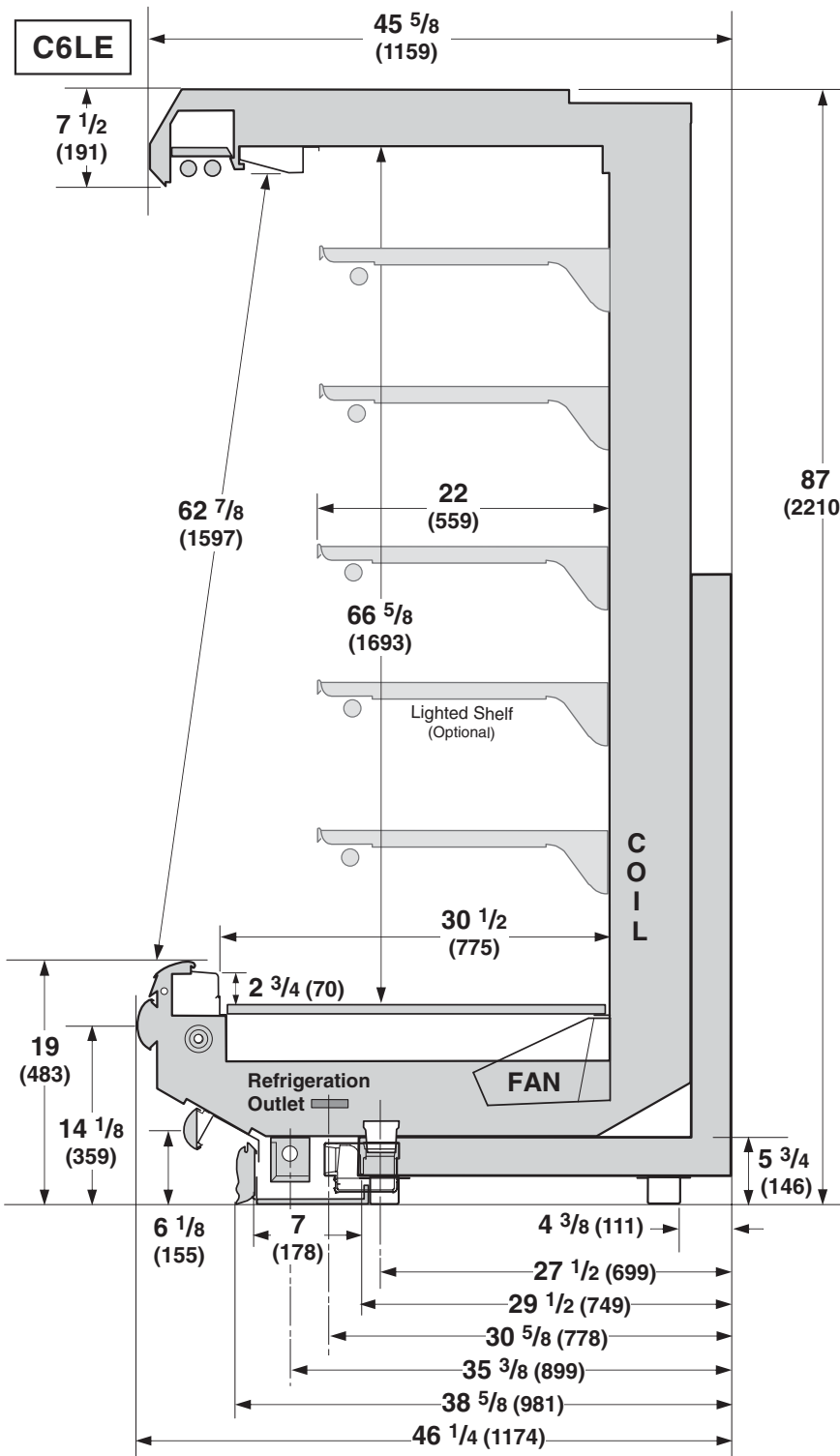
Refrigeration Outlet

- Back of case to center of refrigeration outlet

- (D)** RH end of case to center of refrigeration outlet

	8 ft	12 ft
Case Length (without ends or partitions)	96 ³ / ₈ (2448)	144 ¹ / ₂ (3670)
Maximum O/S dimension of case back to front (includes bumper)	46 ¹ / ₄ (1174)	46 ¹ / ₄ (1174)
Back of case to front of splashguard	38 ⁵ / ₈ (981)	38 ⁵ / ₈ (981)
Back of case to O/S edge of front skid rail	29 ¹ / ₂ (749)	29 ¹ / ₂ (749)
Width of skid rail	4 ¹ / ₂ (114)	4 ¹ / ₂ (114)
RH end of case to outside edge of external support	5 ¹ / ₂ (140)	5 ¹ / ₂ (140)
Distance between edges of external support and center support	40 ⁵ / ₈ (1032)	40 ⁵ / ₈ (1032)
Distance between edges of center supports	NA	44 (1118)
Stub-up area between front skid rail and splashguard	7 (178)	7 (178)
Electrical Service		
RH End of case to center of farthest knockout	88 ³ / ₈ (2245)	136 ¹ / ₂ (3467)
Back of case to center of knockout	35 ³ / ₈ (899)	35 ³ / ₈ (899)
Length of electrical raceway	34 ⁵ / ₈ (878)	34 ⁵ / ₈ (878)
Waste Outlet		
RH End of case to the center of waste outlet	24 ¹ / ₈ (613)	72 ¹ / ₄ (1835)
LH End of case to the center of waste outlet	72 ¹ / ₄ (1835)	72 ¹ / ₄ (1835)
Back O/S of case to center of waste outlet	27 ¹ / ₂ (699)	27 ¹ / ₂ (699)
Water Seal		
Edge of water seal to center of waste outlet	4 (102)	4 (102)
Outside diameter of the drip pipe	1 ¹ / ₂ (38)	1 ¹ / ₂ (38)
Refrigeration Outlet		
Back of case to center of refrigeration outlet	30 ⁵ / ₈ (778)	30 ⁵ / ₈ (778)
RH end of case to center of refrigeration outlet	9 (230)	9 (230)

Dimensions shown as in. & (mm).



Impact C6LE
Meat/Delicatessen/Dairy
Precut & Packaged Produce

REFRIGERATION DATA

Note: This data is based on store temperature and humidity that does not exceed 75 (°F) and 55% R.H.

	C6LE		
	Meat	Produce	Dairy
Discharge Air (°F)	29	29	31
Evaporator (°F)	21	21	24
Unit Sizing (°F)	19	19	22
Btu/hr/ft*	C6LE		
Parallel	1985	1985	1890
Conventional	2100	2100	2000

*For all refrigeration equipment other than Hussmann, use conventional Btu values.

DEFROST DATA

	C6LE
Frequency (hr)	4
Defrost Water	10.5 lb/ft/day
(± 15% based on case configuration and product loading).	
OFFTIME	C6LE
Temp Term (°F)	48
Failsafe (minutes)	30

ELECTRIC OR GAS Not Recommended

Standard Defrost Thermostat
Close on rise: close 48°F – open 33°F

CONVENTIONAL CONTROLS

	C6LE		
	Meat	Produce	Dairy
Low Pressure Backup Control	C6LE		
CI/CO**	C6LE		
Temp (°F)	14°/4°	17°/7°	17°/7°

Indoor Unit Only, Pressure Defrost Termination (Temp °F)** 48°

**Use a Temperature Pressure Chart to determine PSIG conversions.

PHYSICAL DATA

Drip Pipe (in.)	1 1/2
Liquid Line (in.)	3/8
Suction Line (in.)	7/8
Estimated Charge (lb)***	C6LE
8 ft	3.2
12 ft	4.5

***This is an average for all refrigerant types actual refrigerant charge may vary by approximately half a pound.

Length (in.) Added to Lineup by Each End or Insulated Partition 1 1/2

NSF Certification

These merchandisers are manufactured to meet ANSI /National Sanitation Foundation (NSF®) Standard #7 requirements.

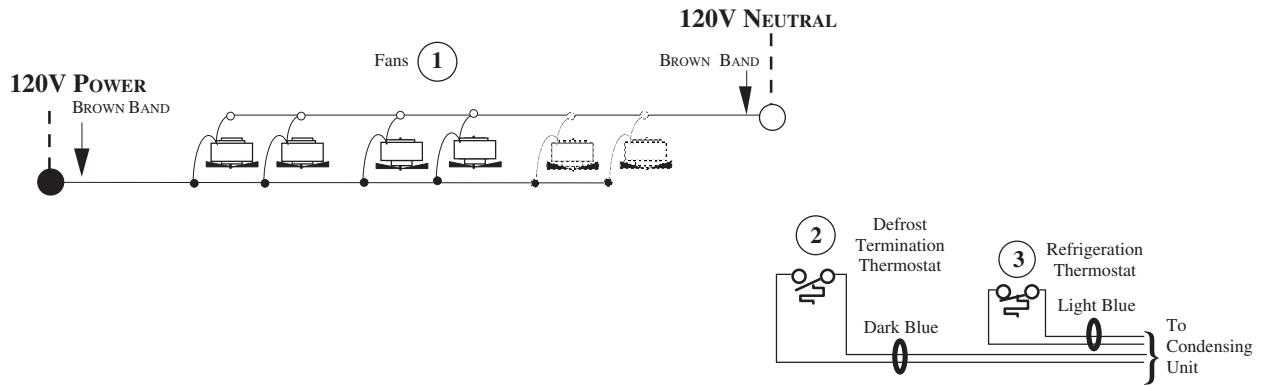
Impact C6LE Meat/Delicatessen/Dairy Precut & Packaged Produce

Electrical Data

	8 ft	12 ft		
Number of Fans — 9W	4	6		
Number of Fans — 9W (Export)	4	6		
(Export: 230V 50 hz shown)				
	Amperes		Watts	
Merchandiser	8 ft	12 ft	8 ft	12 ft
Fans				
Standard (120V 60Hz)	2.80	4.20	<u>210</u>	<u>320</u>
Energy Efficient (120V 60Hz)	<u>1.52</u>	<u>2.28</u>	<u>100</u>	<u>150</u>
Export (230V 50Hz)	<u>1.52</u>	<u>2.28</u>	<u>228</u>	342
Cycling Anti-sweat Heaters	NA			
Minimu Circuit Ampacity				
With Standard Fans (120V 60Hz)	3.00	4.40		
With Energy Efficient Fans (120V 60Hz)	<u>1.72</u>	<u>2.48</u>		
With Export Fans (230V 50Hz)	<u>1.72</u>	<u>2.48</u>		
Maximum Over Current Protection	20	20		
Export (230V 50Hz)	15	15		
Electric Defrost Heaters (208V 1Φ)	NA			
Standard Lighting				
1 Row Canopy	0.51	0.77	59	85
Optional Lighting				
1 Row Canopy and 1 Row Rail	1.02	1.54	118	170
2 Rows Canopy	1.02	1.54	118	170
2 Rows Canopy and 1 Row Rail	1.53	2.31	177	255
1 Row Ledge Lights	0.51	0.77	59	85
Optional Shelf Lighting				
1 Row of Shelves	0.51	0.77	59	85
2 Rows of Shelves	1.02	1.54	118	170
3 Rows of Shelves	1.53	2.31	177	255
4 Rows of Shelves	2.04	3.08	236	340
5 Rows of Shelves	2.55	3.85	295	425

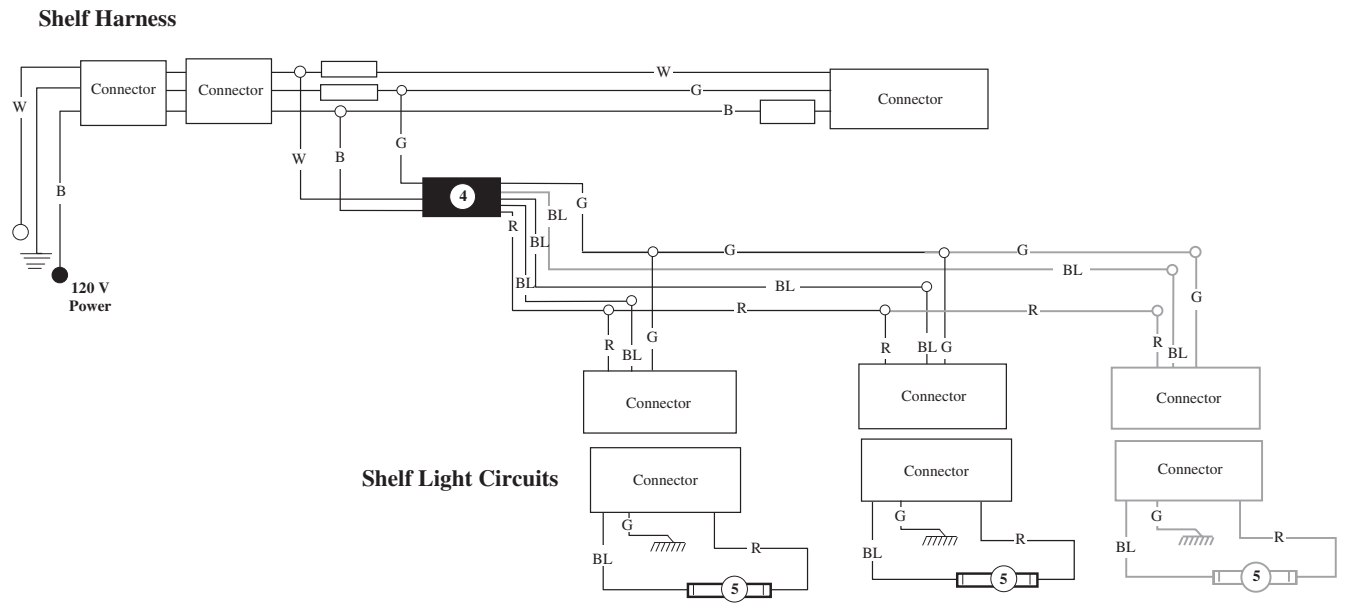
Fan Wiring Offtime Defrost

4 & 6 Fans



Optional Shelf Harness and Light Circuits for One Row of Shelves

Shelf Lighting



WARNING

All components must have mechanical ground, and the merchandiser must be grounded.

CIRCLED NUMBERS = PARTS LIST ITEM NUMBERS

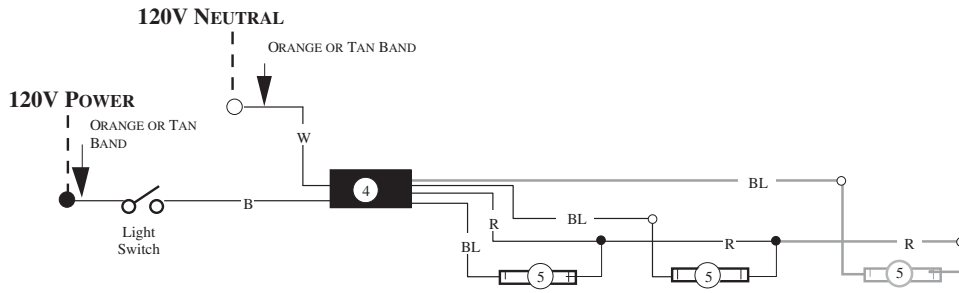
Grayed components in 12 foot models only.

R = Red Y = Yellow G = Green BL = Blue B = Black W = White

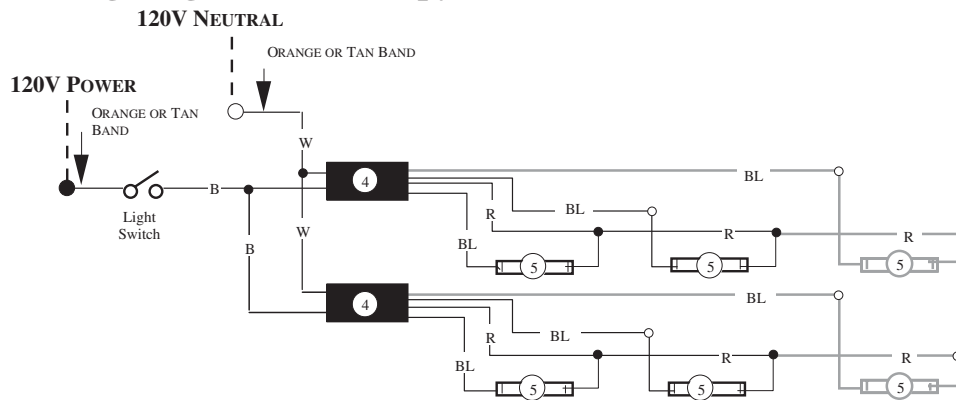
● = 120V POWER ○ = 120V NEUTRAL ≡ = FIELD GROUND ≡≡ = CASE GROUND

Light Circuits

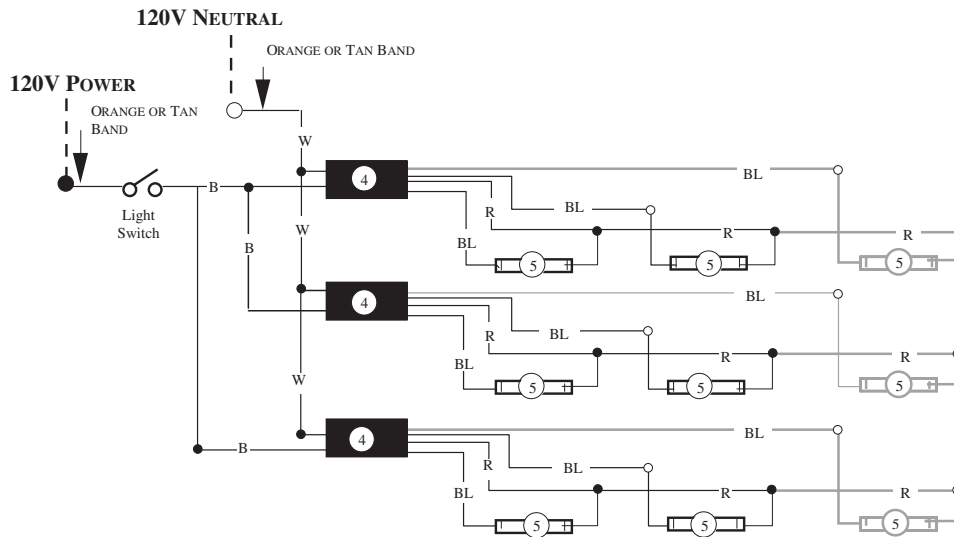
Standard Lighting 1 Row Canopy or Optional 1 Row Rail



Optional Lighting 2 Rows Canopy



Optional Lighting 3 Row Canopy



WARNING

All components must have mechanical ground, and the merchandiser must be grounded.

CIRCLED NUMBERS = PARTS LIST ITEM NUMBERS

Grayed components in 12 foot models only.

R = Red Y = Yellow G = Green BL = Blue B = Black W = White

● = 120V POWER ○ = 120V NEUTRAL