

Item	Part #	Description	Wiring Item #	Item	Part #	Description	Wiring Item #
FAN ASSEMBLIES AND THERMOSTATS				LAMPS AND BALLASTS			
A.	9W Fan Assembly		(1)	D.	<u>0428648</u>	Ballast, Electronic 2 lamps	(4)
	0047000	Fan Motor, Evaporator		D.	<u>0428649</u>	Ballast, Electronic 3 lamps	(4)
	0380485	Fan Blade embossing toward motor		E.		Fluorescent Lamp <i>Replace with like fixtures</i>	(5)
B.	0411744	Standard Non-adjustable Defrost Thermostat	(2)				
C.	0137880	Optional Adjustable Refrigeration Thermostat	(3)				

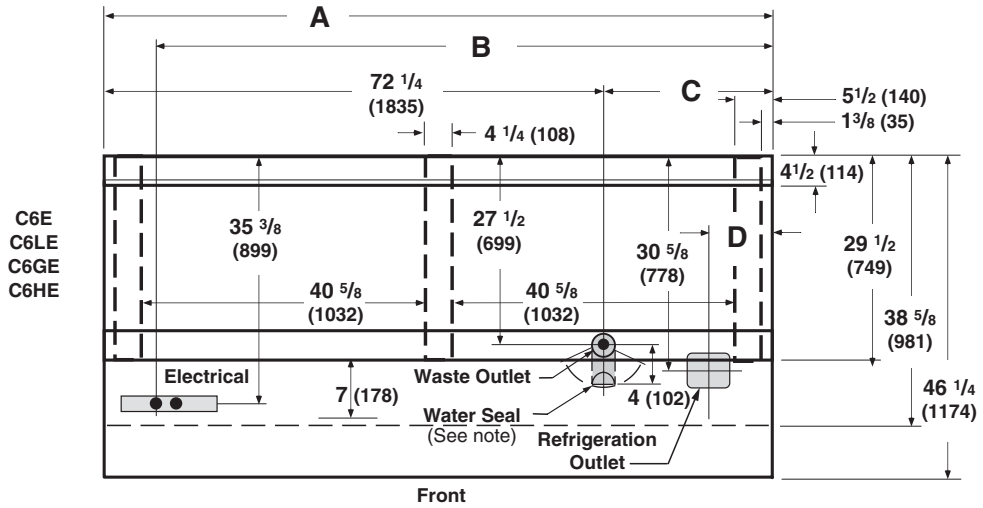
Note: Changed items have been underlined.

Engineering Plan Views

Dimensions shown as inches and (mm).

Meat/Dairy/Delicatessen Precut & Packaged Produce

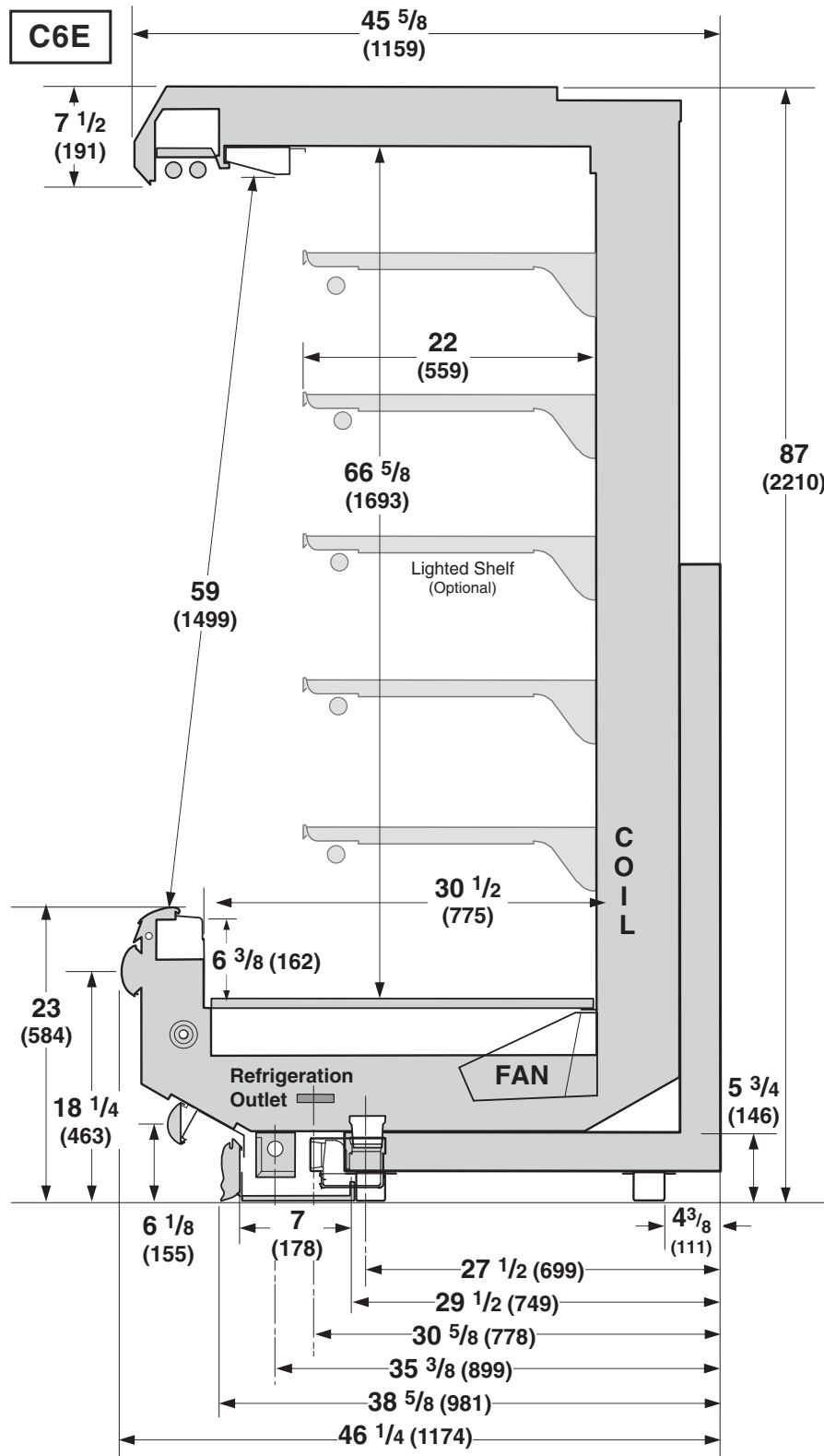
01-2004



	8 ft	12 ft
General		
(A) Case Length <i>(without ends or partitions)</i>	96 ³ / ₈ (2448)	144 ¹ / ₂ (3670)
Maximum O/S dimension of case back to front <i>(includes bumper)</i>	46 ¹ / ₄ (1174)	46 ¹ / ₄ (1174)
Back of case to front of splashguard	38 ⁵ / ₈ (981)	38 ⁵ / ₈ (981)
Back of case to O/S edge of front skid rail	29 ¹ / ₂ (749)	29 ¹ / ₂ (749)
Width of skid rail	4 ¹ / ₂ (114)	4 ¹ / ₂ (114)
RH end of case to outside edge of external support	5 ¹ / ₂ (140)	5 ¹ / ₂ (140)
Distance between edges of external support and center support	40 ⁵ / ₈ (1032)	40 ⁵ / ₈ (1032)
Distance between edges of center supports	NA	44 (1118)
Stub-up area between front skid rail and splashguard	7 (178)	7 (178)
Electrical Service <i>(Electrical Field Wiring connection point)</i>		
(B) RH End of case to center of farthest knockout	88 ³ / ₈ (2245)	136 ¹ / ₂ (3467)
Back of case to center of knockout	35 ³ / ₈ (899)	35 ³ / ₈ (899)
<u>Length of electrical raceway</u>	34 ⁵ / ₈ (878)	34 ⁵ / ₈ (878)
Waste Outlet		
(C) RH End of case to the center of waste outlet	24 ¹ / ₈ (613)	72 ¹ / ₄ (1835)
LH End of case to the center of waste outlet	72 ¹ / ₄ (1835)	72 ¹ / ₄ (1835)
Back O/S of case to center of waste outlet	27 ¹ / ₂ (699)	27 ¹ / ₂ (699)
Water Seal		
Edge of water seal to center of waste outlet	4 (102)	4 (102)
Outside diameter of the drip pipe	1 ¹ / ₂ (38)	1 ¹ / ₂ (38)
<i>NOTE: Water seal outlet must clear front skid rail; water seal rotation in forward direction only due to low base.</i>		
Refrigeration Outlet		
Back of case to center of refrigeration outlet	30 ⁵ / ₈ (778)	30 ⁵ / ₈ (778)
(D) RH end of case to center of refrigeration outlet	9 (230)	9 (230)

Multideck, 5 Display Levels

Dimensions shown as in. & (mm).



Impact C6E
Meat/Delicatessen/Dairy
Precut & Packaged Produce

REFRIGERATION DATA

Note: This data is based on store temperature and humidity that does not exceed 75 (°F) and 55% R.H.

	C6E		
	Meat	Produce	Dairy
Discharge Air (°F)	29	29	31
Evaporator (°F)	21	21	24
Unit Sizing (°F)	19	19	22
Btu/hr/ft*	C6E		
Parallel	1955	1955	1860
Conventional	2070	2070	1970

*For all refrigeration equipment other than Hussmann, use conventional Btu values.

DEFROST DATA

	C6E
Frequency (hr)	4
Defrost Water	10.5 lb/ft/day
($\pm 15\%$ based on case configuration and product loading).	
OFFTIME	C6E
Temp Term (°F)	48
Failsafe (minutes)	30

ELECTRIC OR GAS Not Recommended

Standard Defrost Thermostat
Close on rise: close 48°F – open 33°F

CONVENTIONAL CONTROLS

Low Pressure Backup Control			
CI/CO**	C6E		
	Meat	Produce	Dairy
Temp (°F)	14°/4°	17°/7°	17°/7°

Indoor Unit Only, Pressure Defrost Termination (Temp °F)** 48°

**Use a Temperature Pressure Chart to determine PSIG conversions.

PHYSICAL DATA

Drip Pipe (in.)	1 1/2
Liquid Line (in.)	3/8
Suction Line (in.)	7/8
Estimated Charge (lb)***	C6E
8 ft	3.2
12 ft	4.5

***This is an average for all refrigerant types actual refrigerant charge may vary by approximately half a pound.

Length (in.) Added to Lineup by Each End or Insulated Partition 1 1/2

NSF Certification

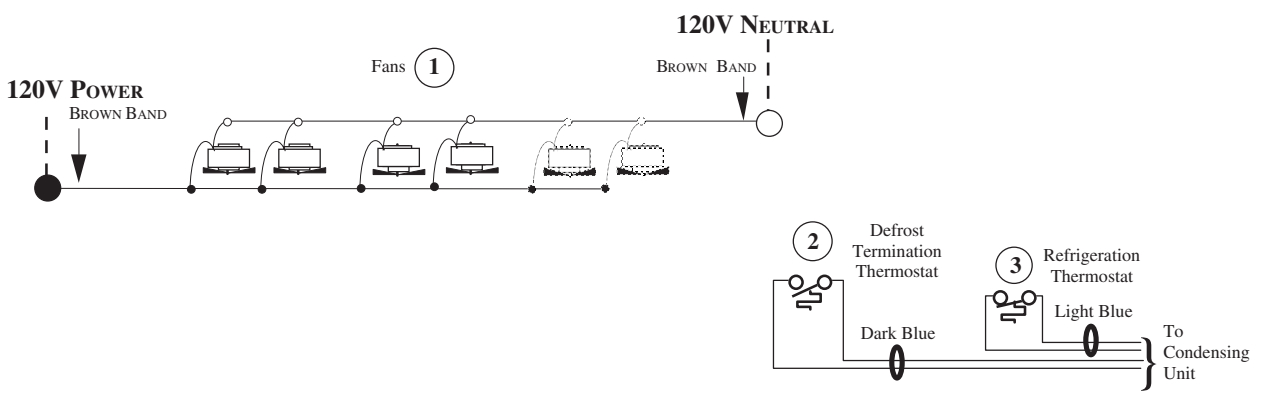
These merchandisers are manufactured to meet ANSI /National Sanitation Foundation (NSF®) Standard #7 requirements.

Impact C6E**Meat/Delicatessen/Dairy
Precut & Packaged Produce****Electrical Data**

	8 ft	12 ft		
Number of Fans — 9W	4	6		
Number of Fans — 9W (Export)	4	6		
(Export: 230V 50 hz shown)				
	Amperes		Watts	
Merchandiser	8 ft	12 ft	8 ft	12 ft
Fans				
Standard (120V 60Hz)	2.80	4.20	<u>210</u>	<u>320</u>
Energy Efficient (120V 60Hz)	<u>1.52</u>	<u>2.28</u>	<u>100</u>	<u>150</u>
Export (230V 50Hz)	<u>1.52</u>	<u>2.28</u>	<u>228</u>	342
Cycling Anti-sweat Heaters	NA			
Minimu Circuit Ampacity				
With Standard Fans (120V 60Hz)	3.00	4.40		
With Energy Efficient Fans (120V 60Hz)	<u>1.72</u>	<u>2.48</u>		
With Export Fans (230V 50Hz)	<u>1.72</u>	<u>2.48</u>		
Maximum Over Current Protection	20	20		
Export (230V 50Hz)	15	15		
Electric Defrost Heaters (208V 1Φ)	NA			
Standard Lighting				
1 Row Canopy	0.51	0.77	59	85
Optional Lighting				
1 Row Canopy and 1 Row Rail	1.02	1.54	118	170
2 Rows Canopy	1.02	1.54	118	170
2 Rows Canopy and 1 Row Rail	1.53	2.31	177	255
1 Row Ledge Lights	0.51	0.77	59	85
Optional Shelf Lighting				
1 Row of Shelves	0.51	0.77	59	85
2 Rows of Shelves	1.02	1.54	118	170
3 Rows of Shelves	1.53	2.31	177	255
4 Rows of Shelves	2.04	3.08	236	340
5 Rows of Shelves	2.55	3.85	295	425

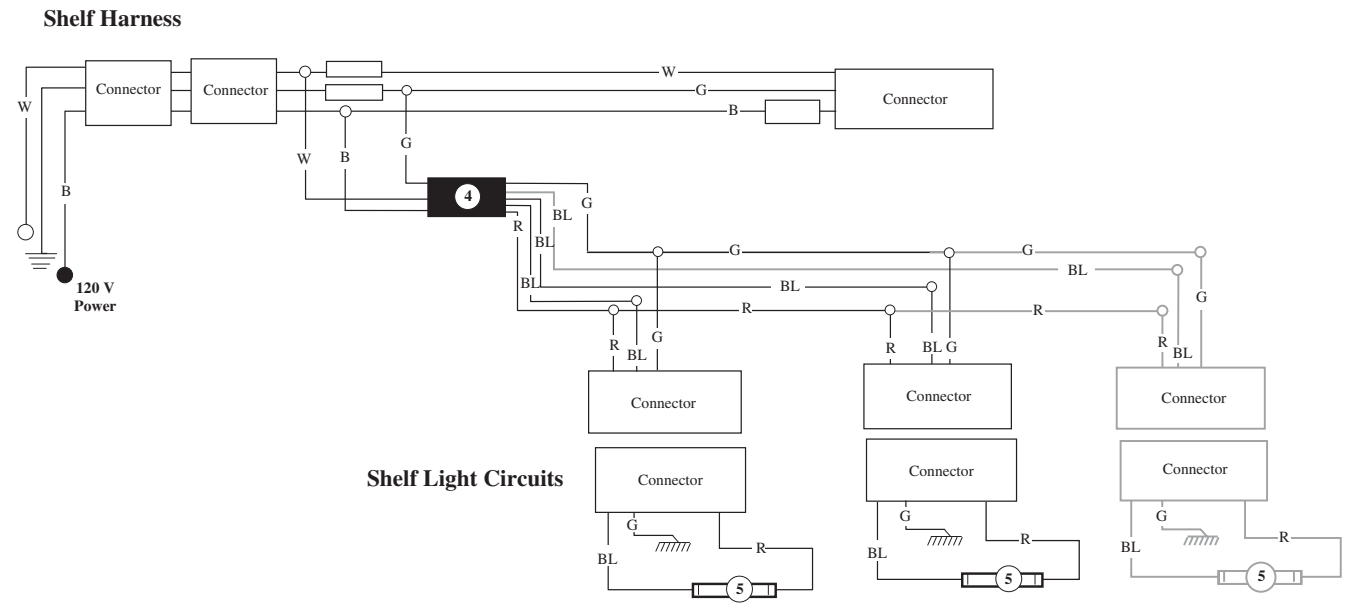
Fan Wiring Offtime Defrost

4 & 6 Fans



Optional Shelf Harness and Light Circuits for One Row of Shelves

Shelf Lighting



WARNING

All components must have mechanical ground, and the merchandiser must be grounded.

CIRCLED NUMBERS = PARTS LIST ITEM NUMBERS

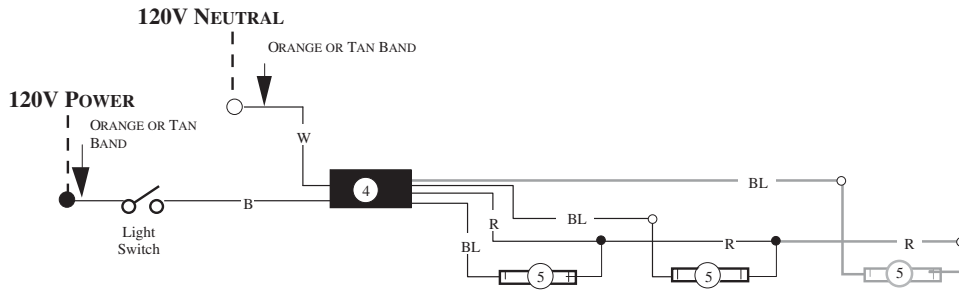
Grayed components in 12 foot models only.

R = Red Y = Yellow G = Green BL = Blue B = Black W = White

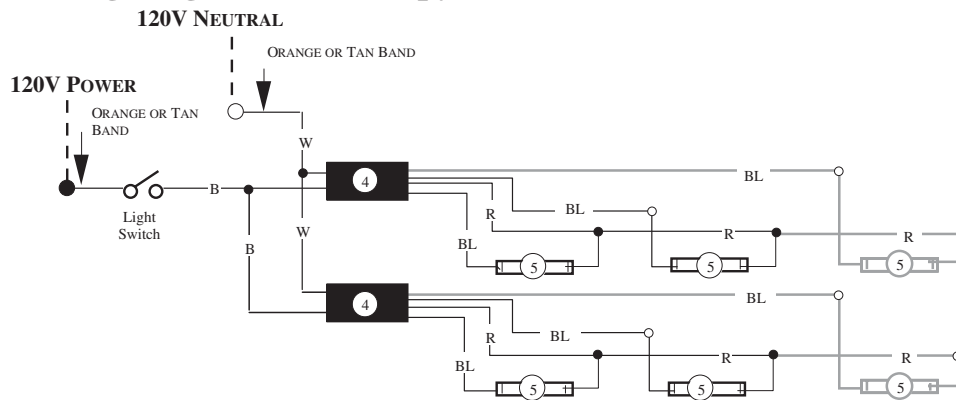
● = 120V POWER ○ = 120V NEUTRAL ≡ = FIELD GROUND ≡≡ = CASE GROUND

Light Circuits

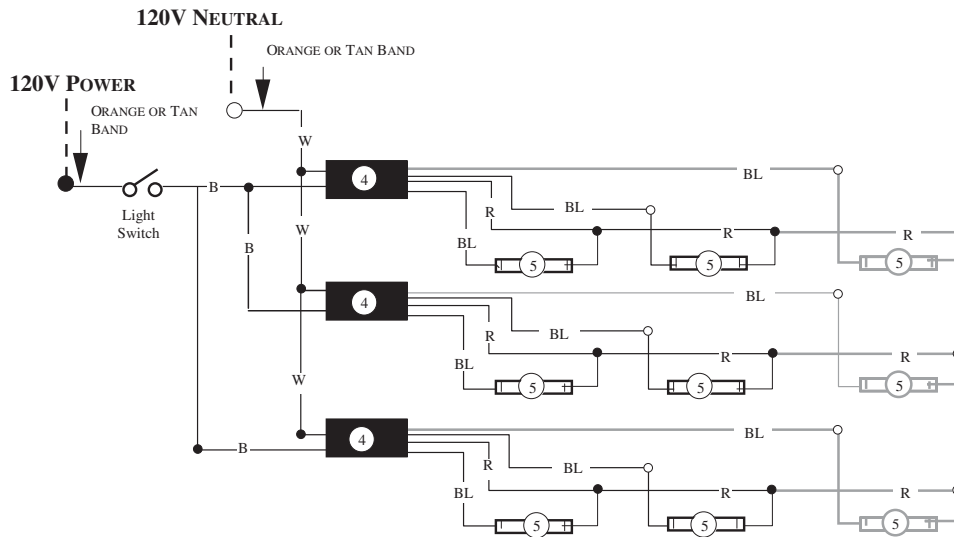
Standard Lighting 1 Row Canopy or Optional 1 Row Rail



Optional Lighting 2 Rows Canopy



Optional Lighting 3 Row Canopy



WARNING

All components must have mechanical ground, and the merchandiser must be grounded.

CIRCLED NUMBERS = PARTS LIST ITEM NUMBERS

Grayed components in 12 foot models only.

R = Red Y = Yellow G = Green BL = Blue B = Black W = White

● = 120V POWER ○ = 120V NEUTRAL