

| Item | Part # | Description | Wiring Item # | Item | Part # | Description | Wiring Item # |
|---------------------------------------|------------------------|---|---------------|---------------------------|---------|---|---------------|
| FAN ASSEMBLIES AND THERMOSTATS | | | | LAMPS AND BALLASTS | | | |
| A. | <u>9W Fan Assembly</u> | | (1) | D. | 0428648 | Ballast, Electronic 2 lamps | (4) |
| | 0047000 | Fan Motor, Evaporator | | D. | 0428649 | Ballast, Electronic 3 lamps | (4) |
| | 0380485 | Fan Blade embossing toward motor | | E. | | Fluorescent Lamp <i>Replace with like fixtures</i> | (5) |
| B. | 0411744 | Standard Non-adjustable Defrost Thermostat | (2) | | | | |
| C. | 0137880 | Optional Adjustable Refrigeration Thermostat | (3) | | | | |

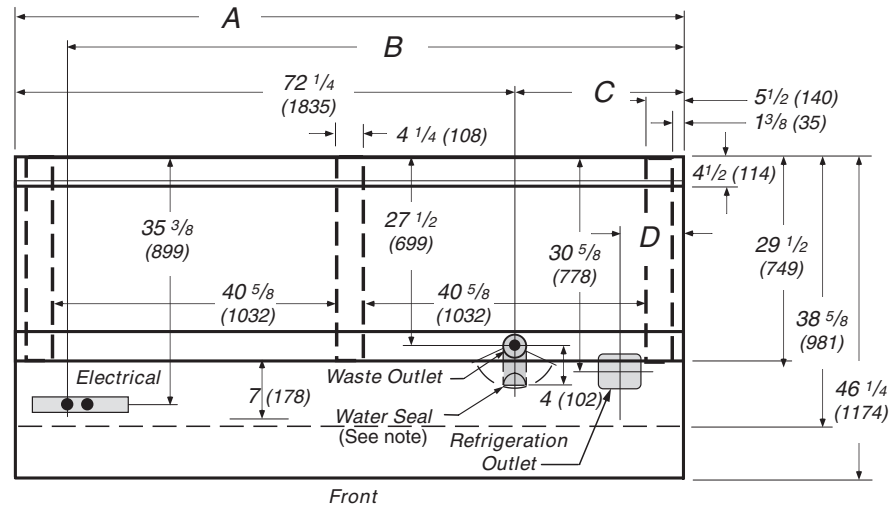
Note: Changed items have been underlined.




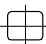
Engineering Plan View

Dimensions shown as inches and (mm).

Meat/Dairy/Delicatessen
Precut & Packaged
Produce

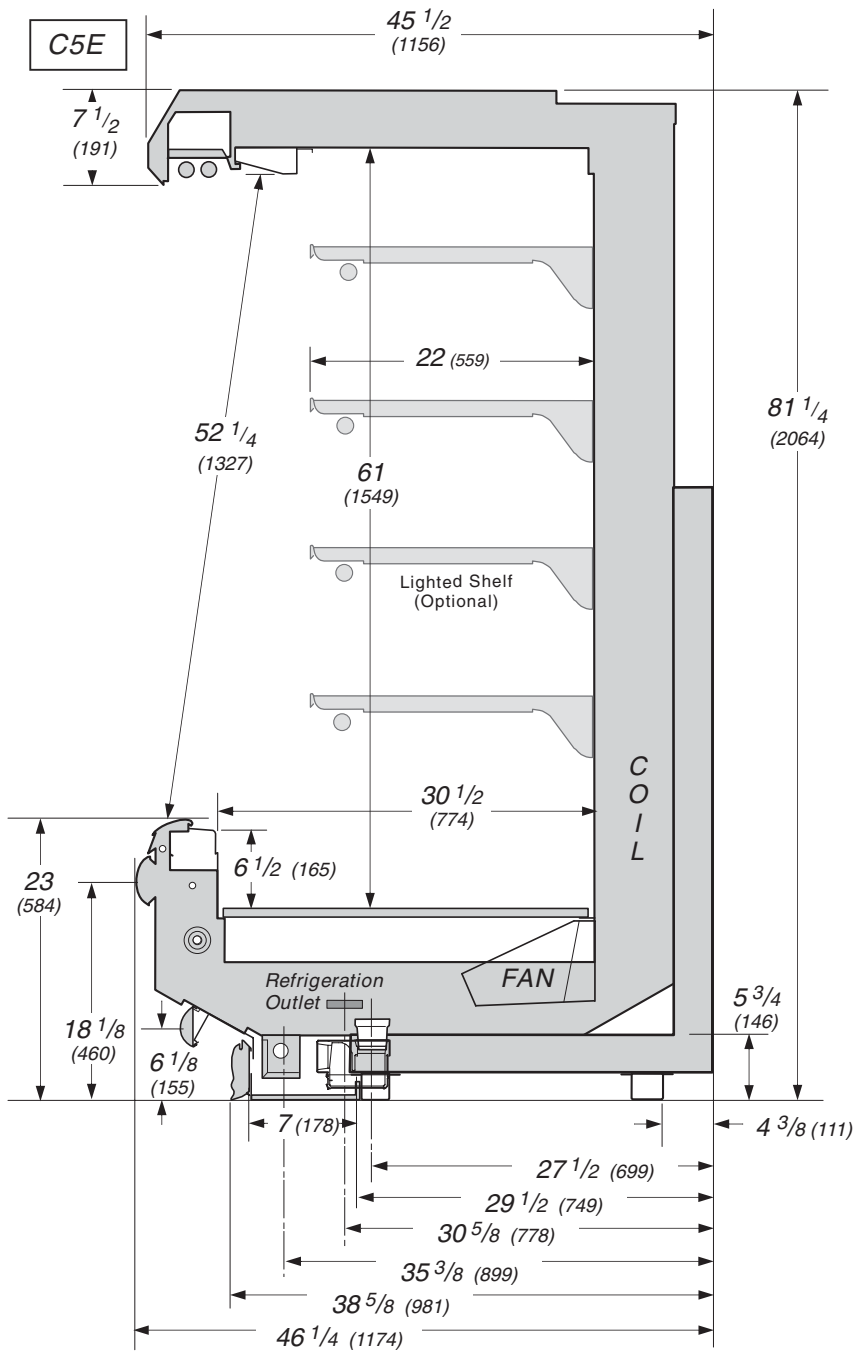
01-2004



| General | 8 ft | 12 ft |
|--|---------------|----------------|
| (A) Case Length (without ends or partitions) | 96 3/8 (2448) | 144 1/2 (3670) |
| Maximum O/S dimension of case back to front (includes bumper) | 46 1/4 (1174) | 46 1/4 (1174) |
| Back of case to front of splashguard | 38 5/8 (981) | 38 5/8 (981) |
| Back of case to O/S edge of front skid rail | 29 1/2 (749) | 29 1/2 (749) |
| Width of skid rail | 4 1/2 (114) | 4 1/2 (114) |
| RH end of case to outside edge of external support | 5 1/2 (140) | 5 1/2 (140) |
| Distance between edges of external support and center support | 40 5/8 (1032) | 40 5/8 (1032) |
| Distance between edges of center supports | NA | 44 (1118) |
| Stub-up area between front skid rail and splashguard | 7 (178) | 7 (178) |
| Electrical Service  (Electrical Field Wiring connection point) | | |
| (B) RH End of case to center of farthest knockout | 88 3/8 (2245) | 136 1/2 (3467) |
| Back of case to center of knockout | 35 3/8 (899) | 35 3/8 (899) |
| Length of electrical raceway | 34 5/8 (878) | 34 5/8 (878) |
| Waste Outlet  | | |
| (C) RH End of case to the center of waste outlet | 24 1/8 (613) | 72 1/4 (1835) |
| LH End of case to the center of waste outlet | 72 1/4 (1835) | 72 1/4 (1835) |
| Back O/S of case to center of waste outlet | 27 1/2 (699) | 27 1/2 (699) |
| Water Seal  | | |
| Edge of water seal to center of waste outlet | 4 (102) | 4 (102) |
| Outside diameter of the drip pipe | 1 1/2 (38) | 1 1/2 (38) |
| <i>NOTE: Water seal outlet must clear front skid rail; water seal rotation in forward direction only due to low base.</i> | | |
| Refrigeration Outlet  | | |
| Back of case to center of refrigeration outlet | 30 5/8 (778) | 30 5/8 (778) |
| (D) RH end of case to center of refrigeration outlet | 9 (230) | 9 (230) |

Multi-deck, 5 Display Levels

Dimensions shown as inches and (mm).



NSF Certification

These merchandisers are manufactured to meet ANSI /National Sanitation Foundation (NSF®) Standard #7 requirements.

Impact **C5E**
Meat/Delicatessen/Dairy
Precut & Packaged Produce

REFRIGERATION DATA

Note: This data is based on store temperature and humidity that does not exceed 75 (°F) and 55% R.H.

| C5E | Meat | Produce | Dairy |
|--------------------|------|---------|-------|
| Discharge Air (°F) | 29 | 31 | 31 |
| Evaporator (°F) | 21 | 24 | 24 |
| Unit Sizing (°F) | 19 | 22 | 22 |
| Btu/hr/ft** | | | C5E |
| Parallel | 1770 | 1710 | 1650 |
| Conventional | 1875 | 1810 | 1750 |

**For all refrigeration equipment other than Hussmann, use conventional Btu values.

DEFROST DATA

| C5E | |
|---|----------------|
| Frequency (hr) | 6 |
| Defrost Water (± 15% based on case configuration and product loading) | 10.5 lb/ft/day |

| C5E | |
|----------------|-----|
| OFFTIME | |
| Temp Term (°F) | 48° |
| Failsafe (min) | 30 |

ELECTRIC OR GAS Not Recommended

Standard Defrost Thermostat

Close on rise: close 48°F – open 33°F

CONVENTIONAL CONTROLS

Low Pressure Backup Control

CI/CO (Temp °F)**

| C5E | Meat | Produce | Dairy |
|-----------|--------|---------|--------|
| Temp (°F) | 14°/4° | 17°/7° | 17°/7° |

Indoor Unit Only, Pressure Defrost Termination (Temp °F)***

48°

***Use a Temperature Pressure Chart to determine PSIG conversions.

PHYSICAL DATA

| | |
|---------------------------|-------|
| Drip Pipe (in.) | 1 1/2 |
| Liquid Line (in.) | 3/8 |
| Suction Line (in.) | 7/8 |
| Estimated Charge (lb)**** | C5E |
| 8 ft | 3.2 |
| 12 ft | 4.5 |

****This is an average for all refrigerant types actual refrigerant charge may vary by approximately half a pound.

Length Added to Lineup by Each End or Insulated Partition (in.)

1 1/2

Impact C5E
 Meat/Delicatessen/Dairy
 Precut & Packaged Produce

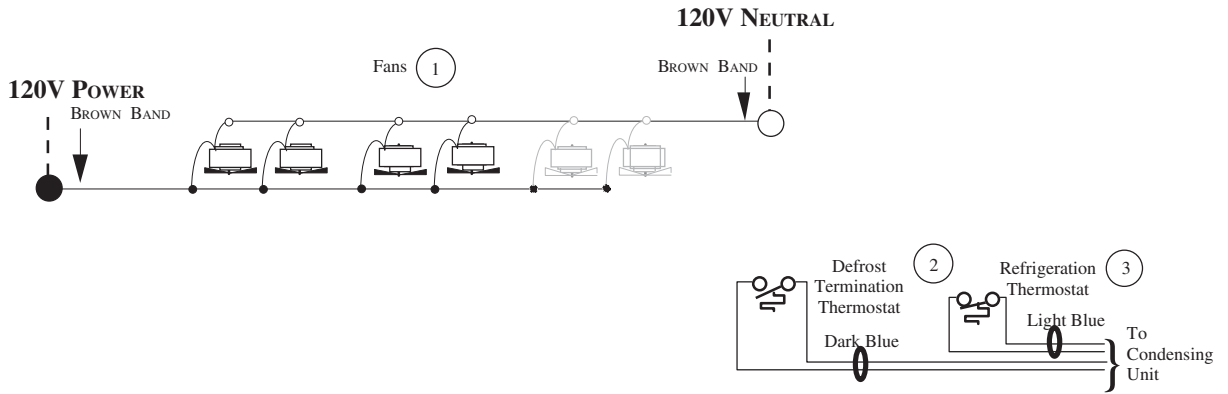
Preliminary

Electrical Data

| Number of Fans — 9W | 8 Ft | 12 Ft | | |
|---|-----------|-----------|-------|-------|
| | 4 | 6 | | |
| Merchandise | Amperes | | Watts | |
| | 8 Ft | 12 Ft | 8 Ft | 12 Ft |
| Fans | | | | |
| Standard (120V 60Hz) | 2.80 | 4.20 | 210 | 330 |
| Export (230V 50Hz) | 1.52 | 2.28 | 228 | 342 |
| Energy Efficient (120V 60Hz) | 1.52 | 2.28 | 100 | 150 |
| Constant on Anti-sweat Heaters | NA | | | |
| Cycling Anti-sweat Heaters | NA | | | |
| Minimum Circuit Ampacity | | | | |
| With Standard Fans (120V 60Hz) | 3.00 | 4.40 | | |
| Export (230V 50Hz) | 1.72 | 2.48 | | |
| With Energy Efficient Fans (120V 60Hz) | 1.72 | 2.48 | | |
| Maximum Over Current Protection 120V | 20 | 20 | | |
| Maximum Over Current Protection 230V | 15 | 15 | | |
| Supplemental Gas Heaters | NA | | | |
| 208V 1Φ Electric Defrost | NA | | | |
| Standard Lighting | | | | |
| 1 Row Canopy | 0.51 | 0.77 | 59 | 85 |
| Optional Lighting | | | | |
| 1 Row Canopy and 1 Rail | 1.02 | 1.54 | 118 | 170 |
| 2 Row Canopy | 1.02 | 1.54 | 118 | 170 |
| 2 Row Canopy and 1 Row Rail | 1.53 | 2.31 | 177 | 255 |
| 1 Row Ledge Lights | 0.51 | 0.77 | 59 | 85 |
| Optional Shelf Lighting | | | | |
| 1 Row of Shelves | 0.51 | 0.77 | 59 | 85 |
| 2 Rows of Shelves | 1.02 | 1.54 | 118 | 170 |
| 3 Rows of Shelves | 1.53 | 2.31 | 177 | 255 |
| 4 Rows of Shelves | 2.04 | 3.08 | 236 | 340 |

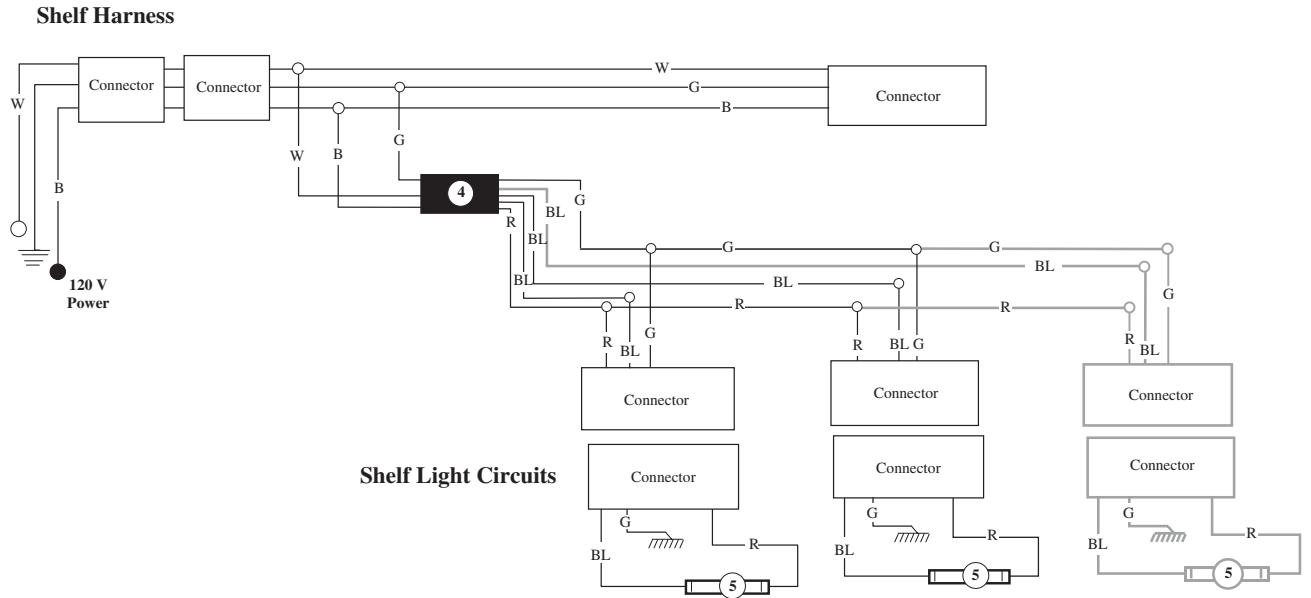
*Fan Wiring
Offtime Defrost*

4 & 6 Fans



**Optional Shelf Harness and Light Circuits for
One Row of Shelves**

Shelf Lighting



WARNING

All components must have mechanical ground, and the merchandiser must be grounded.

CIRCLED NUMBERS = PARTS LIST ITEM NUMBERS

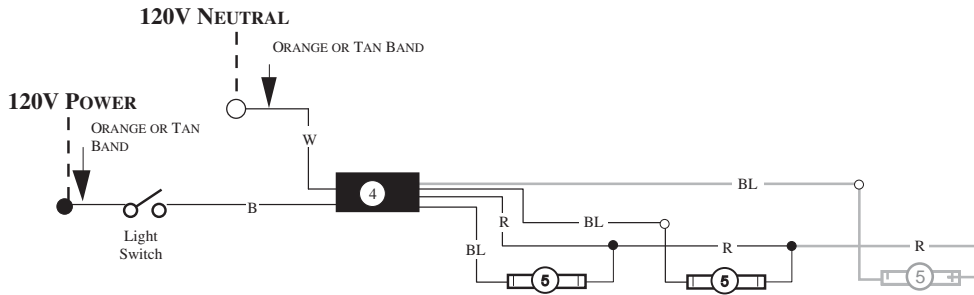
Grayed components in 12 foot models only.

R = Red Y = Yellow G = Green BL = Blue B = Black W = White

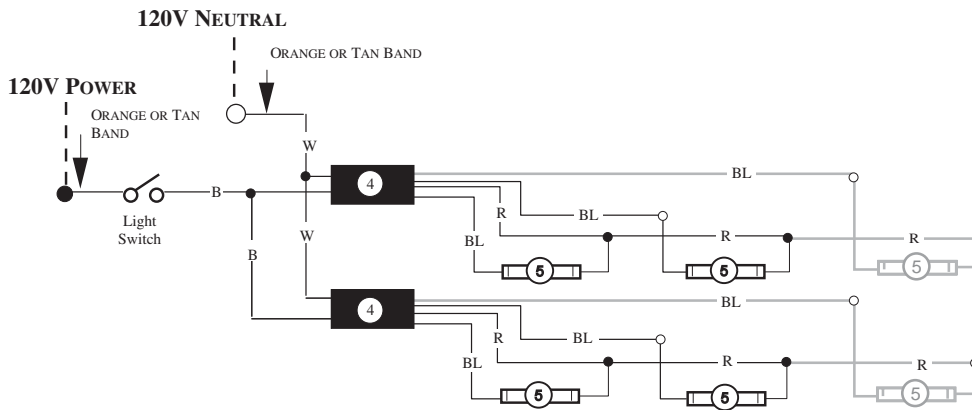
● = 120V POWER ○ = 120V NEUTRAL ≡ = Field GROUND ≡≡ = Case GROUND

Light Circuits

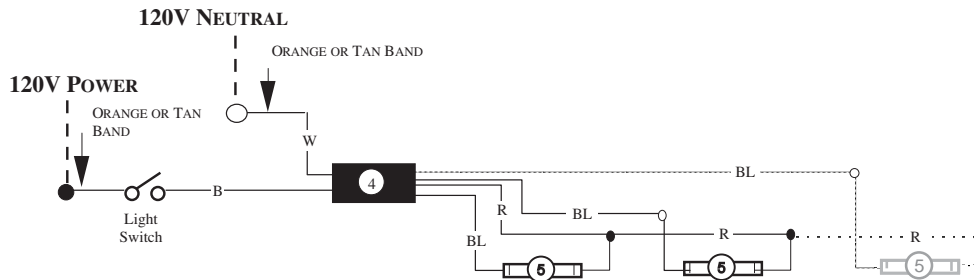
Lighting 1 Row Canopy (Standard on Multi-deck)



Optional Lighting 2 Row Canopy



Optional Lighting 1 Row Rail



WARNING

All components must have mechanical ground, and the merchandiser must be grounded.

CIRCLED NUMBERS = PARTS LIST ITEM NUMBERS

Grayed components in 12 foot models only.

R = Red Y = Yellow G = Green BL = Blue B = Black W = White

● = 120V POWER ○ = 120V NEUTRAL