

We reserve the right to change or revise specifications and product design in connection with any feature of our products. Such changes do not entitle the buyer to corresponding changes, improvements, additions or replacements for equipment previously sold or shipped.

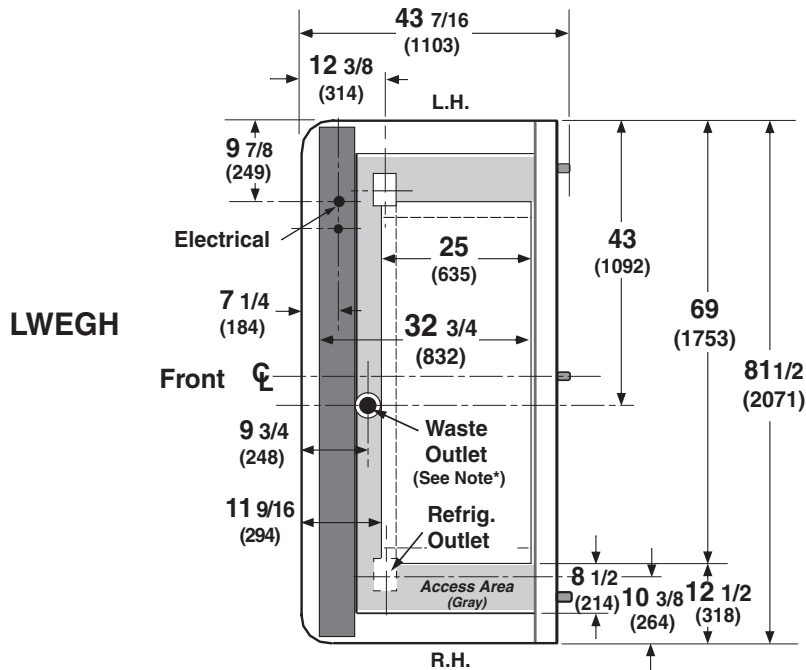
Item	Part #	Description	Wiring Item #	Item	Part #	Description	Wiring Item #
FAN ASSEMBLIES AND THERMOSTATS				HEATERS			
A.	4W Fan Assembly		(1)	F.	Modular Electric Defrost Heaters, 208V		
	0392457	Fan Motor, Standard (MO.4410101)			0406444	6 foot case	(6)
	0409513	Fan Blade, embossing toward motor (FB.0409513)				(HE.4850478)	
B.	Optional Adjustable Refrigeration Thermostat		(2)	G.	Drip Pan Heaters, Electric 208V		(7)
					0392412	6 foot case (HE.4850461)	
C.	0398557	Defrost Termination Thermostat (Electric Defrost only) (CT.4440611)	(3)	G.	Drip Pan Heaters, Koolgas 120V		(8)
					0421237	6 foot case (HE.4850495)	
D.	0425304	Heater Switch (Koolgas Defrost only) (CT.0425304)	(4)	H.	Nosing Anti-sweat Heaters		(9)
					0401612	6 foot case (Discharge) (HE.0401612)	
HEATERS				I.	Multiglass – 2 Pane, w/heater (Front & Rear)		(10)
E.	Control-Glass Anti-sweat Heaters (Export) Contour Ends 250V, 5amp		(5)		0420185	Front (GL.4985219)	
	0400543	6 foot cases (CT.4480905)			0420168	LH End (GL.4985209)	
					0420169	RH End (GL.4985286)	





NOTE: Revision E corrects heater data on Page 4.

Engineering Plan Views

Dimensions shown as inches & (mm).

Single Deck High Front Island End Display w/Glass



		End Case
General		
Case Length (<i>without ends or partitions</i>)		81 1/2 (2070)
(<i>Each end and insulated partition adds 2 in. (51 mm) to case line up.</i>)		
Maximum O/S dimension of case back to front (<i>includes bumper</i>)		43 (1092)
Front of splashguard to O/S edge of front base rail		8 1/2 (216)
Back of case to O/S edge of front base rail		69 (1753)
Front of case to O/S edge of front base rail		11 9/16 (294)
Width of base rail		2 1/8 (54)
Stub-up area (gray) between front base rail and splashguard		7 5/8 (194)
Electrical Service  (<i>Electrical Field Wiring connection point</i>)		
LH End of case to center of first knockout		9 7/8 (251)
Front O/S edge of case to center knockout		7 1/4 (184)
Waste Outlets 		
Front of case to the center of waste outlet		9 3/4 (248)
LH End of case to center of waste outlet		43 (1092)
Water Seal 		
Edge of water seal to center of waste outlet		11 (279)
O/S diameter of drip pipe lines		1 1/2 (38)
Note*: Field installed water seal outlet, tees and connectors are shipped with case.		
Refrigeration Outlet 		
Front of case to center of refrigeration outlets		12 3/8 (314)
LH or RH of case to center of refrigeration outlets		10 3/8 (264)

Impact LWEGH
Frozen Food & Ice Cream

REFRIGERATION DATA

Note: This data is based on store temperature and humidity that does not exceed 75°F and 55% R.H.

	FF	IC
Discharge Air (°F)	-12	-22
Evaporator (°F)	-20	-30
Unit Sizing (°F)	-23	-33
Btu/hr/case		
Parallel	2325	2355
Conventional	2400	2430

DEFROST DATA

	FF	IC
Frequency (hr)	24	24
Defrost Water (lb/ft/day)	0.75	0.60
<i>(± 15% based on case configuration and product loading).</i>		
ELECTRIC		
Temp Term (°F)	48°	48°
Failsafe (minutes)	60	60
GAS		
Duration (minutes)	15	18
OFFTIME	Not Recommended	

Standard Defrost Thermostat
Close on rise: close 48°F — open 33°F

CONVENTIONAL CONTROLS

	FF	IC
Low Pressure Backup Control		
CI/CO (Temp °F)*	-27/-39	-27/-39

Indoor Unit Only, Pressure Defrost Termination (Temp °F) Not Recommended
*Use a Temperature Pressure Chart to determine PSIG conversions.

PHYSICAL DATA

Merchandiser Drip Pipe (in.)	1 1/4
Merchandiser Liquid Line (in.)	3/8
Merchandiser Suction Line (in.)	5/8

Estimated Charge (lb)**

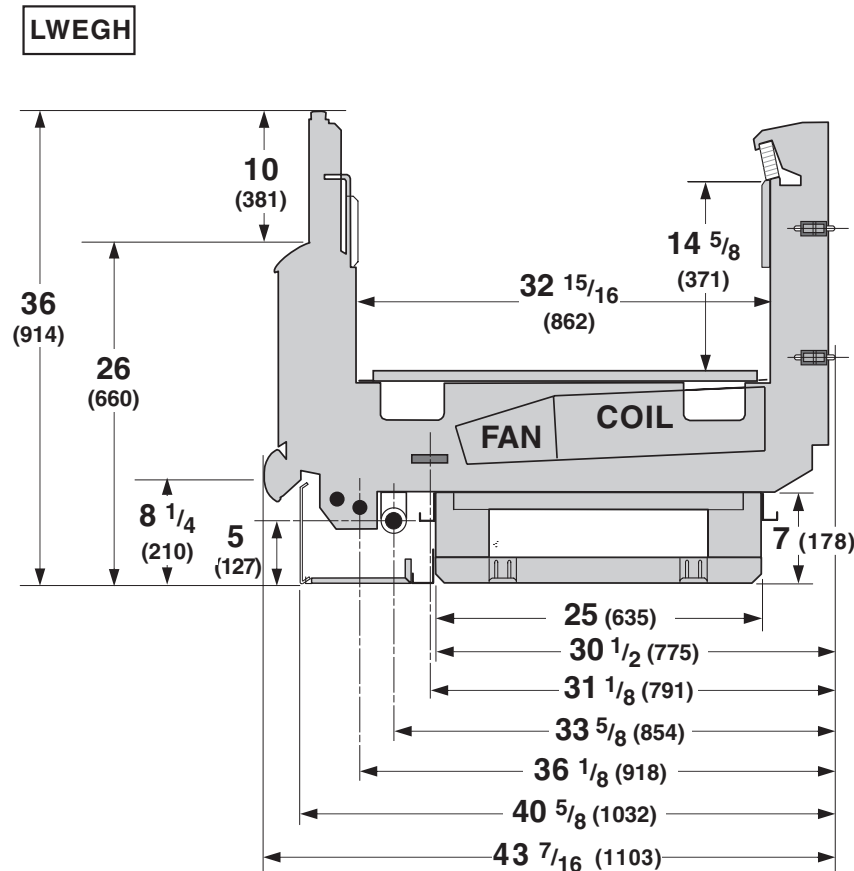
End Case	1.1
-----------------	-----

**This is an average for all refrigerant types. Actual refrigerant charge may vary by approximately half a pound.

Length Added to Lineup by:

Each End/Partition (in.)	1 1/2
Each Contoured End (in.)	5

Dimensions shown in inches & (mm).



NSF Certification

These merchandisers are manufactured to meet ANSI/National Sanitation Foundation (NSF®) Standard #7 requirements.

Impact LWEGH Frozen Food & Ice Cream

Electrical Data

End

Number of Fans – 4W

1

(Energy Efficient fan motors are not available for End or End-compartment models)

			Amperes	Watts
			8 ft	8 ft
Evaporator Fans				
120V	60Hz	Standard	0.31	24
120V	50Hz	Standard	NA	
230V	60Hz	Export	0.15	24
230V	50Hz	Export	0.18	27
120V	60Hz	Energy Efficient	0.14	10
230V	60Hz	Energy Efficient	NA	

Nosing Anti-sweat Heaters (on fan circuit)

120V	60Hz	Standard	0.95	114
230V	50Hz	Export	0.49	114

Glass Anti-sweat Heaters

120V	60Hz	Standard	1.84	207
230V	50Hz	Export	1.00	228

Cycling Anti-sweat Heaters

			NA	
230V	50Hz	Export	NA	

Minimum Circuit Ampacity

120V	60Hz	Standard	3.30	
120V	50Hz	Standard	NA	
230V	60Hz	Export	1.84	
230V	50Hz	Export	1.87	
120V	60Hz	Energy Efficient	3.13	
230V	60Hz	Energy Efficient	NA	

Maximum Over Current Protection 120V

20

Maximum Over Current Protection 230V

15

Electric Defrost Heaters

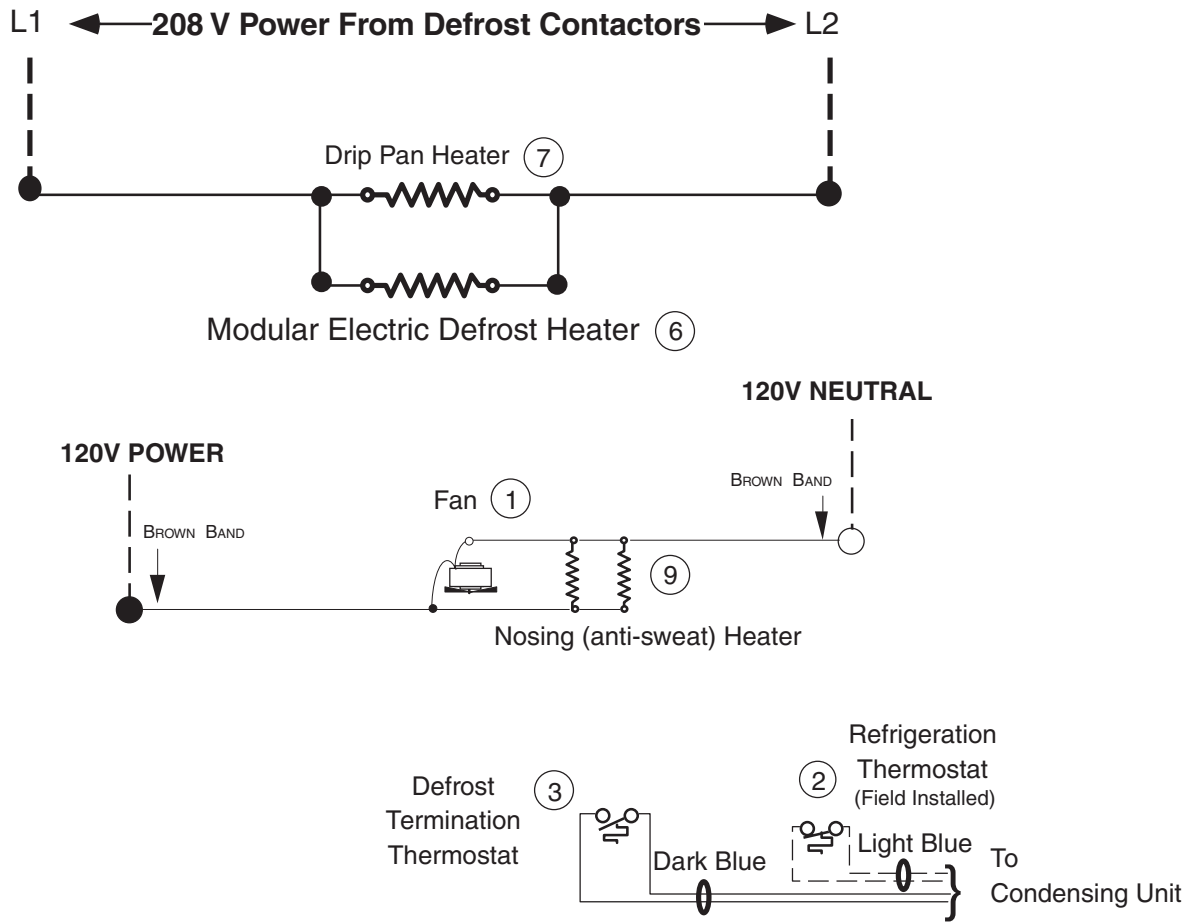
<u>208V</u>	60Hz	Standard	5.5	1150
230V	50Hz	Export	6.1	1403

Koolgas Drip Pan Heaters

120V	60Hz	Standard	1.25	150
<u>230V</u>	50Hz	Export	NA	

Standard Lighting: None

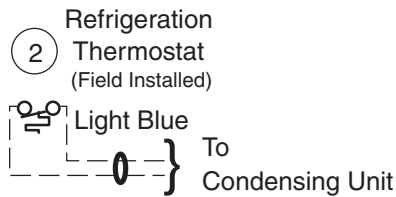
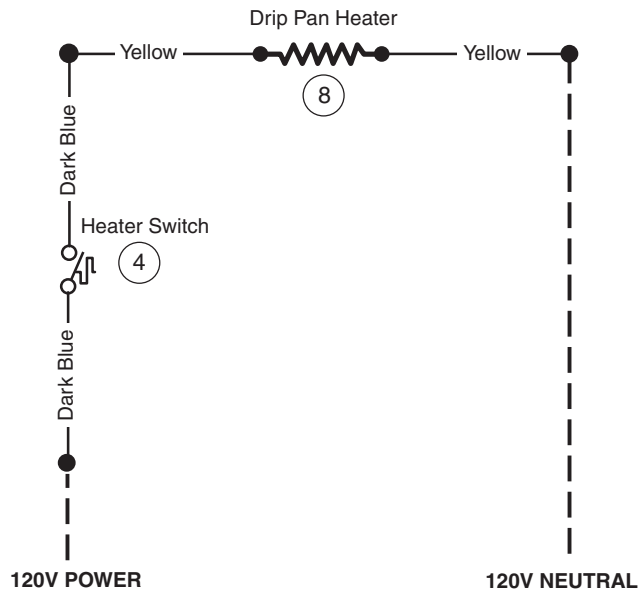
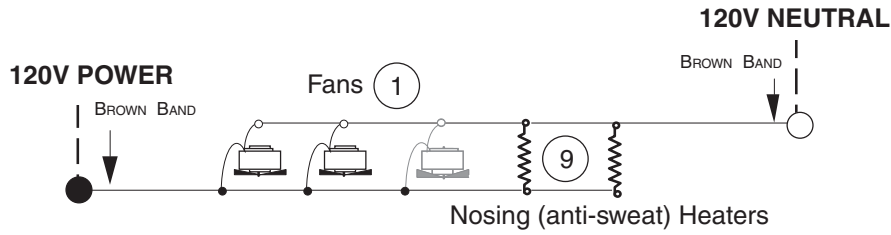
Electric Defrost – Standard



WARNING

All components must have mechanical ground, and the merchandiser must be grounded.
Circled Numbers = Parts List Item Numbers

Gas Defrost – Optional

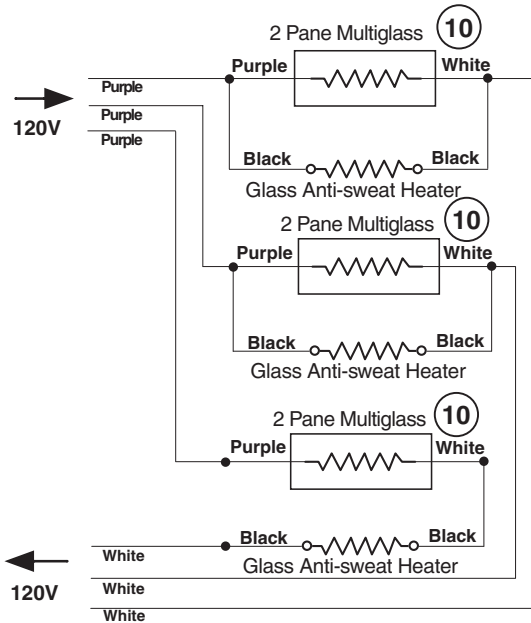


WARNING

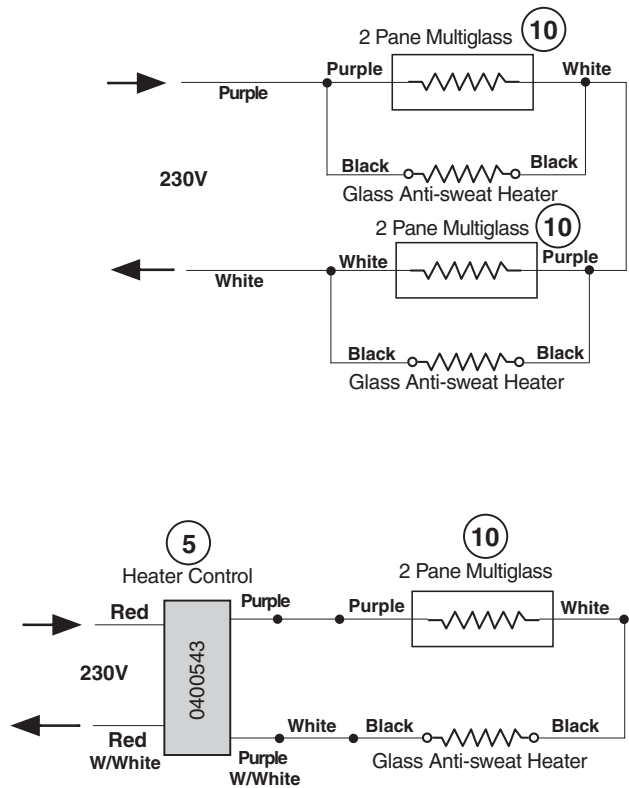
All components must have mechanical ground, and the merchandiser must be grounded.
 Circled Numbers = Parts List Item Numbers
 Grayed components in 12 foot models only.

Glass Anti-sweat Heaters — Domestic & Export

**Glass Anti-sweat Heater (Domestic)
LWEGH (End Case)**



**Glass Anti-sweat Heater (Export Only)
LWEGH (End Case)**



WARNING

All components must have mechanical ground, and the merchandiser must be grounded.
Circled Numbers = Parts List Item Numbers