

We reserve the right to change or revise specifications and product design in connection with any feature of our products. Such changes do not entitle the buyer to corresponding changes, improvements, additions or replacements for equipment previously sold or shipped.

Item	Part #	Description	Wiring Item #	Item	Part #	Description	Wiring Item #
FAN ASSEMBLIES AND THERMOSTATS				LAMPS AND BALLASTS			
A.	0404551	Fan Motor, Ambient (120V) (<u>MO.0404551</u>)	(1)	C.	0355716	Electronic Ballast 2 lamps (120V) (<u>BA.0355716</u>)	(3)
	0404552	Fan Motor, Ambient (220V) (<u>MO.4410590</u>)			0355398	3 lamps (120V) (<u>BA.4480118</u>)	
					0440215	2 lamps (230V 50-60 Hz) (<u>BA.4481267</u>)	
B.	0137880	Optional Adjustable Refrigeration Thermostat (<u>CT.4481084</u>)	(2)		0428652	3 lamps (230V 50-60 Hz) (<u>BA.4480897</u>)	
					0385104	Ballast Transformer (230V 50-60 Hz, per ballast) (<u>TR.4481191</u>)	
				D.		Fluorescent Lamp <i>Replace with like fixtures</i>	(4)

Note: Changed items are marked. Revision C adds part numbers (page 1) and capacity data (page 5)

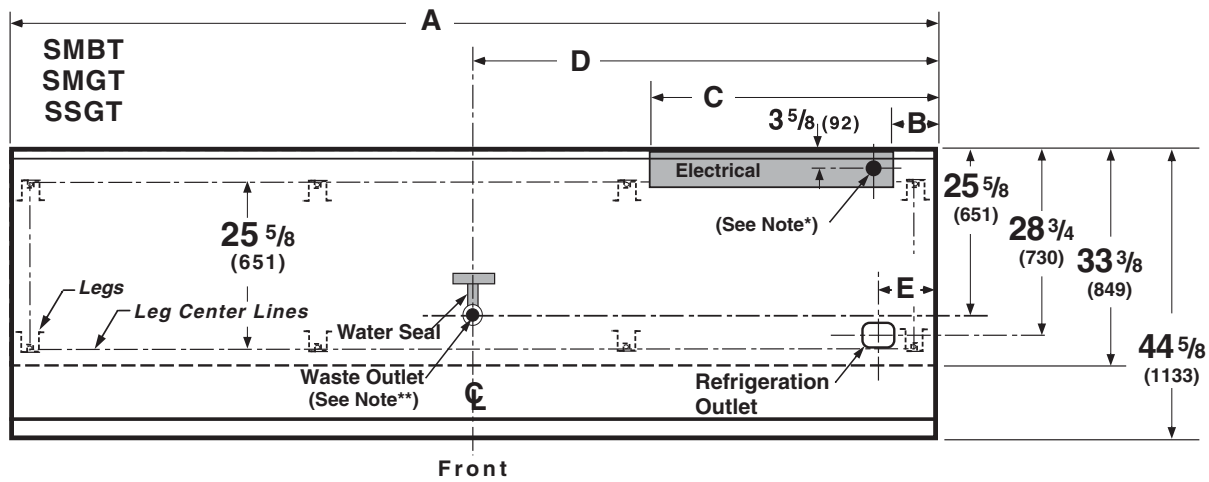






Engineering Plan Views

PHYSICAL DATA	
Merchandiser Drip Pipe (in.)	1 1/2
Merchandiser Liquid Line (in.)	3/8
Merchandiser Suction Line (in.)	5/8

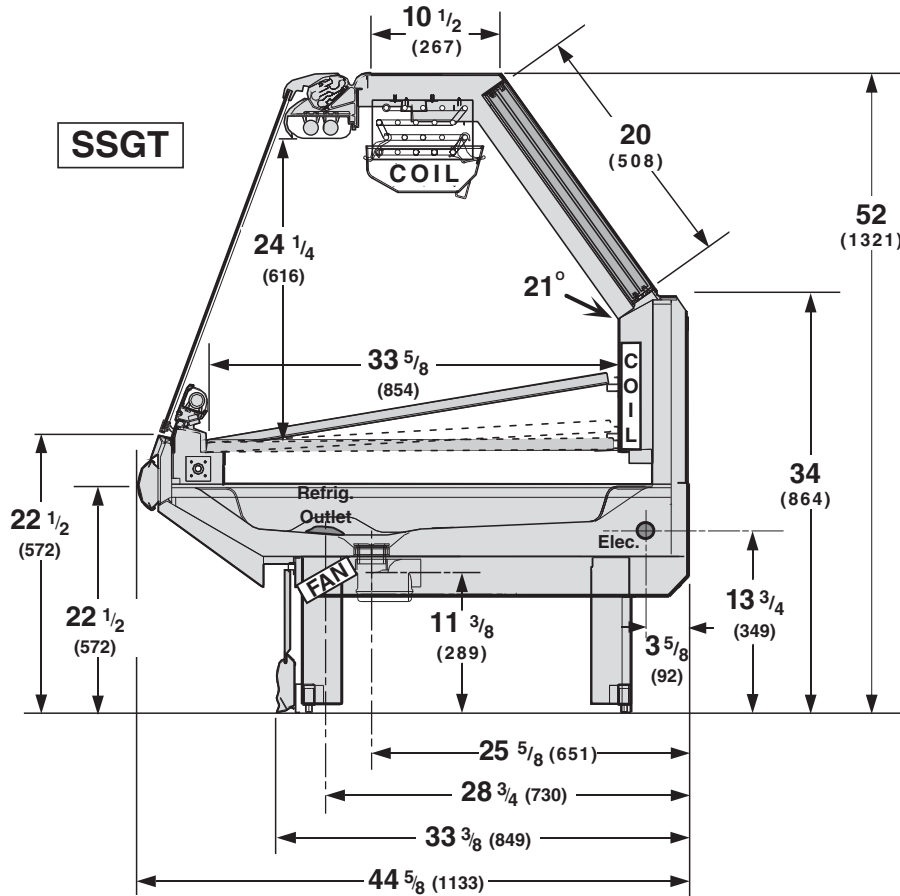
Dimensions shown as in. and (mm).

Seafood Flat Hinged Glass Models



	4 ft	6 ft	8 ft	12 ft
General				
(A) Case Length*	48 1/4 (1226)	72 1/4 (1835)	96 3/8 (2448)	144 1/2 (3670)
Maximum O/S dimension of case back to front (Note: Includes bumper)	44 5/8 (1134)	44 5/8 (1134)	44 5/8 (1134)	44 5/8 (1134)
Back of case to front of splashguard	33 3/8 (848)	33 3/8 (848)	33 3/8 (848)	33 3/8 (848)
Center of rear legs to center of front legs	25 5/8 (651)	25 5/8 (651)	25 5/8 (651)	25 5/8 (651)
Each End and Partition adds 1 1/2 in. (38 mm) to the length of the lineup.				
Electrical Service 				
(B) RH end of case to Electrical raceway right edge	7 (178)	7 (178)	7 (178)	7 (178)
(C) RH end of case to Electrical raceway left edge	41 3/8 (1051)	32 3/4 (831)	44 1/2 (1131)	44 1/2 (1131)
Back of case to center of knockout	3 5/8 (92)	3 5/8 (92)	3 5/8 (92)	3 5/8 (92)
* Electrical Field Wiring Connection Point				
Waste Outlet 				
(D) RH end of case to the center of waste outlet	24 (610)	24 (610)	24 (610)	72 1/4 (1835)
Back of case to center of waste outlet	25 5/8 (652)	25 5/8 (652)	25 5/8 (652)	25 5/8 (652)
Water Seal 				
Center of tee to center of waste outlet	11 3/8 (289)	11 3/8 (289)	11 3/8 (289)	11 3/8 (289)
Outside diameter of drip piping	1 1/2 (38)	1 1/2 (38)	1 1/2 (38)	1 1/2 (38)
** Field installed water seal outlets, tees, and connectors are shipped with the merchandiser.				
Refrigeration Outlet 				
Back of case to center of refrigeration outlet	28 3/4 (731)	28 3/4 (731)	28 3/4 (731)	28 3/4 (731)
(E) RH end of case to center of refrigeration outlet	9 3/8 (238)	9 3/8 (238)	9 3/8 (238)	9 3/8 (238)
Outside diameter of the liquid line	3/8 (9.5)	3/8 (9.5)	3/8 (9.5)	3/8 (9.5)
Outside diameter of the suction line	5/8 (16)	5/8 (16)	5/8 (16)	5/8 (16)

Dimensions shown as in. and (mm).



SSGT

REFRIGERATION DATA
Note: This data is based on store temperature and humidity that does not exceed 75°F and 55% R.H. Schedule defrost at night while lights are off.

	SSGT
Discharge Air (°F)	21
Evaporator (°F)	18
Unit Sizing (°F)	16
Btu/hr/ft*	SSGT
Parallel	380
Conventional	400

*For all refrigeration equipment other than Hussmann, use conventional Btu values.

DEFROST DATA

	SSGT
Frequency (hr)	24
Defrost Water (lb/ft/day)	0.15
(± 15% based on case configuration and product loading).	

	SSGT
OFFTIME (minutes)	70
Failsafe (minutes)	90

ELECTRIC OR GAS Not Recommended

CONVENTIONAL CONTROLS

Low Pressure Backup Control

	SSGT
CI/CO (Temp °F)**	11°F/1°F
Indoor Unit Only, Pressure Defrost Termination (Temp °F)**	

Not Recommended

**Use a Temperature Pressure Chart to determine PSIG conversions.

PHYSICAL DATA

Estimated Charge (lb)***

4 ft	0.75
6 ft	1.0
8 ft	1.5
12 ft	2.0

***This is an average for all refrigerant types. Actual refrigerant charge may vary by approximately half a pound.

Length Added to Lineup by:

Each Plastic End w/ Bumper (in.)	3 1/2
Each End/Partition (in.)	1 1/2

NSF Certification

This merchandiser model is manufactured to meet ANSI/NSF (National Sanitation Foundation) Standard #7 requirements for construction, materials & cleanability.

Impact SSGT Seafood

Electrical Data

Number of Fans	4 ft	6 ft	8 ft	12 ft
Refrigeration (120V 60hz) – 4W	NA	NA	NA	NA
Ambient Air Wipe – 15W	1	2	3	4

Export Refrigeration (230V 50 hz) – 4W	NA	NA	NA	NA
Export Ambient Air Wipe – 15W	1	2	2	3

Merchandiser	4 ft	Amperes				4 ft	Watts			
		6 ft	8 ft	12 ft	6 ft		8 ft	12 ft		
Refrigeration Fans										
Standard (120V 60hz)	NA	NA	NA	NA	NA	NA	NA	NA	NA	
Energy Efficient(120V 60hz)	NA	NA	NA	NA	NA	NA	NA	NA	NA	
Export: 230V 50 hz	NA	NA	NA	NA	NA	NA	NA	NA	NA	
Ambient Air Wipe Fans										
Standard (120V 60hz)	0.26	0.52	0.52	0.78	15	30	30	45		
Energy Efficient(120V 60hz)	NA	NA	NA	NA	NA	NA	NA	NA		
Export: 230V 50 hz	0.13	0.26	0.26	0.39	15	30	30	45		

Constant On Anti-sweat Heaters	NA	NA	NA	NA	NA	NA	NA	NA
---------------------------------------	----	----	----	----	----	----	----	----

Cycling Anti-sweat Heaters	NA	NA	NA	NA	NA	NA	NA	NA
-----------------------------------	----	----	----	----	----	----	----	----

Minimum Circuit Ampacity				
With Standard Fans (120V 60hz)	0.46	0.72	0.72	0.98
With Energy Efficient Fans (120V 60hz)	NA	NA	NA	NA
With Export Fans (230V 50 hz)	0.33	0.46	0.46	0.59

Maximum Over Circuit Protection 120V	20	20	20	20
---	-----------	-----------	-----------	-----------

Electric Defrost Heaters (208V)	NA	NA	NA	NA	NA	NA	NA	NA
Gas Defrost Heaters (208V)	NA	NA	NA	NA	NA	NA	NA	NA

Standard Lighting* (120V 60hz)	4 ft	6 ft	8 ft	12 ft	4 ft	6 ft	8 ft	12 ft
2 Row Canopy	0.49	0.80	0.98	1.42	58	92	116	170
1 Row Rail	0.49	0.40	0.49	0.71	58	46	58	85

Optional Lighting								
1 Row Ledge	0.49	0.40	0.49	0.71	58	46	58	85

115V Lighting Circuit Total = Standard Lighting + Total Optional Lighting + Optional Shelf Lighting
 230V Lighting Circuit Total = Multiply 115V Lighting Circuit Total by 0.52

Product Data

<i>Recommended Usable Cube</i> ¹ (Cu Ft/Ft)	3.74 ft ³ /ft (0.35 m ³ /m)
<i>ARI Total Display Area</i> ² (Sq Ft/Ft)	1.86 ft ² /ft (0.57 m ² /m)
<i>Shelf Area</i> ³ (Sq Ft/Ft)	2.80 ft ² /ft (0.85 m ² /m)

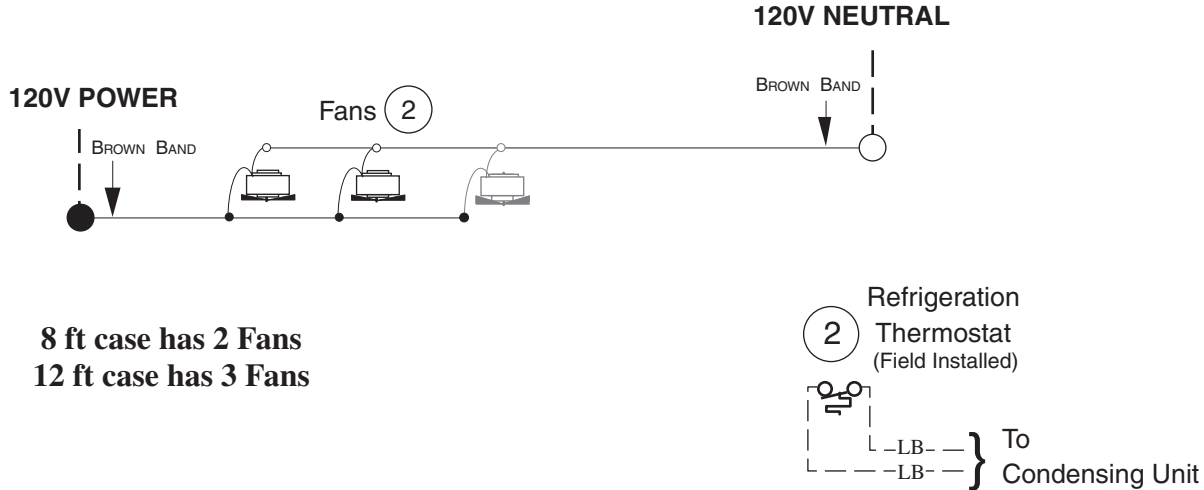
¹ ARI Refrigerated Volume less shelving and other unusable space: Refrigerated Volume/Unit of Length, ft³/ft [m³/m]
² Computed using ARI 1200 standard methodology: Total Display Area, ft² [m²]/Unit of Length, ft [m]
³ Shelf surface area is composed of bottom deck plus standard shelf complement, as shown in the Hussmann *Product Reference Guide*. The standard shelf complement for this model is one 7-inch shelf and one 10-inch shelf.

ESTIMATED SHIPPING WEIGHT ⁵						
Case	<i>4 ft</i>	<i>6 ft</i>	<i>8 ft</i>	<i>12 ft</i>	Solid End	Glass / Plastic End
					<i>(each)</i>	<i>(each)</i>
lb (kg)	700 (318)	800 (363)	900 (408)	1300 (590)	70 (32)	100 (45)

⁵ Actual weights will vary according to optional kits included.

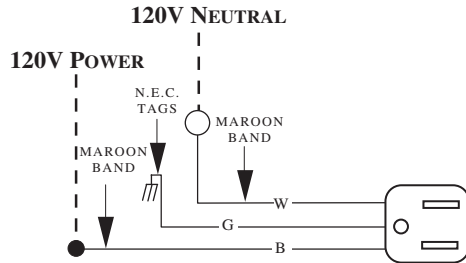
Ambient Fan Wiring Glass Air Wipe

Fans



Receptacles

Electric Service Receptacle



WARNING

All components must have mechanical ground, and the merchandiser must be grounded.

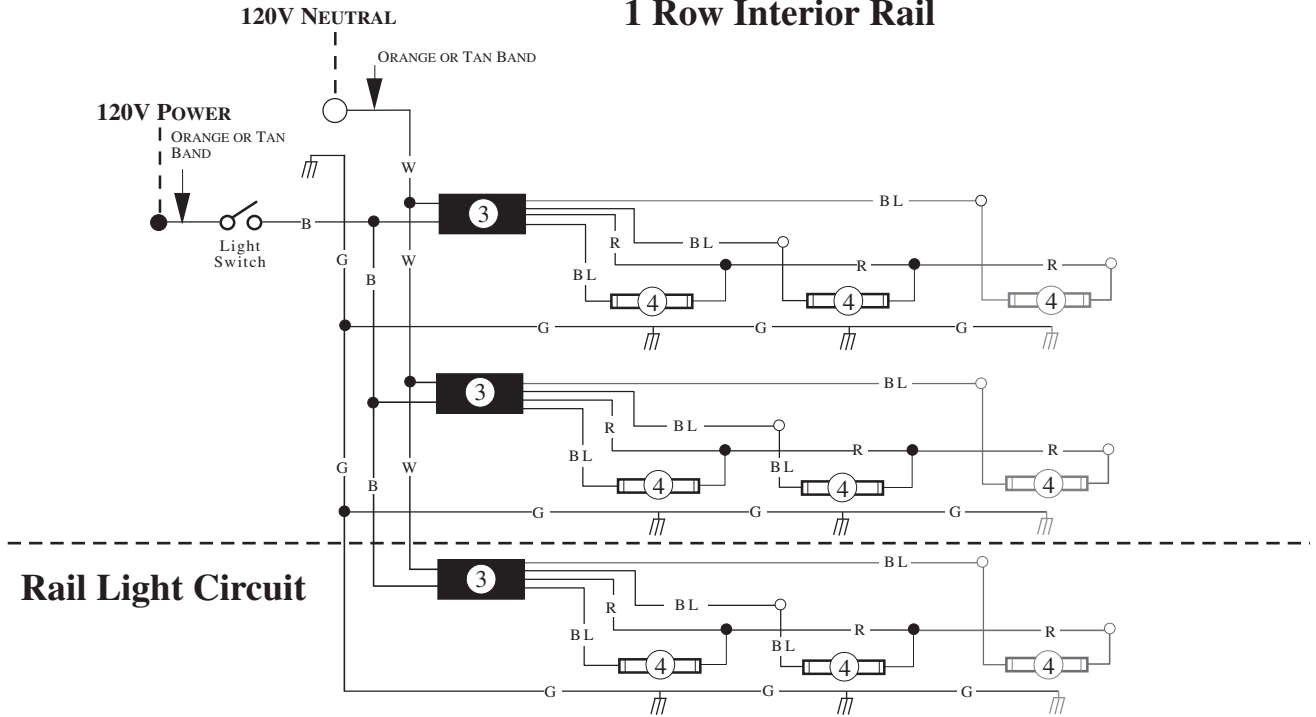
Circled Numbers = Parts List Item Numbers

Grayed components in 12 foot models only.

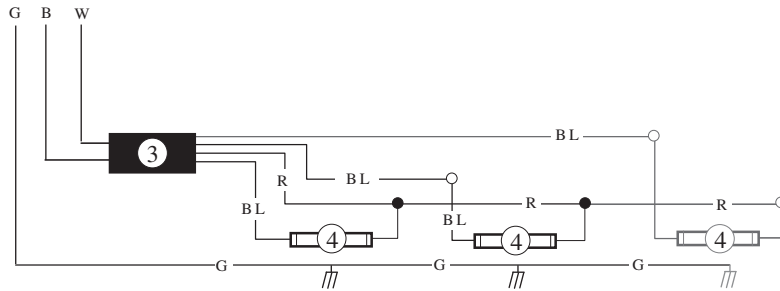
R = Red G = Green BL = Blue LB = Light Blue B = Black W = White

● = 120V POWER ○ = 120V NEUTRAL ≡ = Field GROUND ≡ = Case GROUND

Standard Lighting 2 Row Canopy, 1 Row Interior Rail



Optional Ledge Light Circuit



WARNING

All components must have mechanical ground, and the merchandiser must be grounded.

Circled Numbers = Parts List Item Numbers

Grayed components in 12 foot models only.

R = Red G = Green BL = Blue B = Black W = White

● = 120V POWER

○ = 120V NEUTRAL

⏏ = Field GROUND

⏏ = Case GROUND