

We reserve the right to change or revise specifications and product design in connection with any feature of our products. Such changes do not entitle the buyer to corresponding changes, improvements, additions or replacements for equipment previously sold or shipped.

Item	Part #	Description	Wiring Item #	Item	Part #	Description	Wiring Item #
FAN ASSEMBLIES AND THERMOSTATS				LAMPS AND BALLASTS			
A.	0392457	Fan Motor, Evaporator (120V) (MO.4410101)	(1)	D.	Electronic Ballast		(4)
	0428111	Fan Blade (120V) (FB.0409511) embossing toward motor			0355716	2 lamps (120V) (BA.0355716)	
B.	0382028	Standard Non-adjustable Defrost Thermostat (CT.0382028)	(2)		0355398	3 lamps (120V) (BA.4480118)	
C.	0137880	Optional Adjustable Refrigeration Thermostat (CT.4481084)	(3)	E.	Fluorescent Lamp		(5)
						<i>Replace with like fixtures</i>	

Note: Changed items are marked. Revision D adds capacity data, page 5.



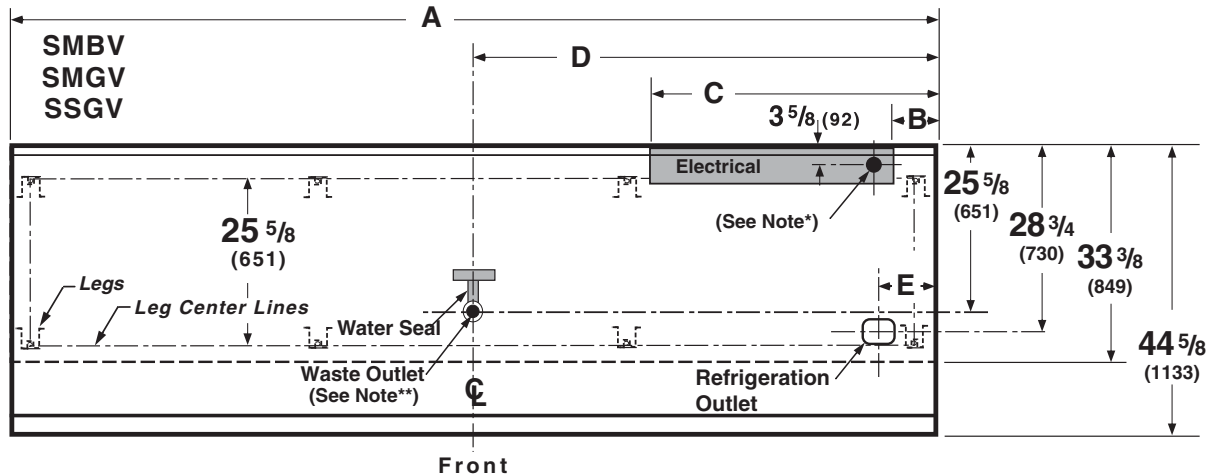
Engineering Plan Views





PHYSICAL DATA

Merchandiser Drip Pipe (in.)	1 1/2
Merchandiser Liquid Line (in.)	3/8
Merchandiser Suction Line (in.)	5/8

Meat & Delicatessen Multi-Pane Flat Glass

Dimensions shown as in. and (mm).



	4 ft	6 ft	8 ft	12 ft
General				
(A) Case Length*	48 1/4 (1226)	72 1/4 (1835)	96 3/8 (2448)	144 1/2 (3670)
Maximum O/S dimension of case back to front (Note: Includes bumper)	44 5/8 (1134)	44 5/8 (1134)	44 5/8 (1134)	44 5/8 (1134)
Back of case to front of splashguard	33 3/8 (848)	33 3/8 (848)	33 3/8 (848)	33 3/8 (848)
Center of rear legs to center of front legs	25 5/8 (651)	25 5/8 (651)	25 5/8 (651)	25 5/8 (651)
Each End and Partition adds 1 1/2 in. (38 mm) to the length of the lineup.				
Electrical Service 				
(B) RH end of case to Electrical raceway right edge	7 (178)	7 (178)	7 (178)	7 (178)
(C) RH end of case to Electrical raceway left edge	41 3/8 (1051)	32 3/4 (831)	44 1/2 (1131)	44 1/2 (1131)
Back of case to center of knockout	3 5/8 (92)	3 5/8 (92)	3 5/8 (92)	3 5/8 (92)
* Electrical Field Wiring Connection Point				
Waste Outlet 				
(D) RH end of case to the center of waste outlet	24 (610)	24 (610)	24 (610)	72 1/4 (1835)
Back of case to center of waste outlet	25 5/8 (652)	25 5/8 (652)	25 5/8 (652)	25 5/8 (652)
Water Seal 				
Center of tee to center of waste outlet	11 3/8 (289)	11 3/8 (289)	11 3/8 (289)	11 3/8 (289)
Outside diameter of drip piping	1 1/2 (38)	1 1/2 (38)	1 1/2 (38)	1 1/2 (38)
** Field installed water seal outlets, tees, and connectors are shipped with the merchandiser.				
Refrigeration Outlet 				
Back of case to center of refrigeration outlet	28 3/4 (731)	28 3/4 (731)	28 3/4 (731)	28 3/4 (731)
(E) RH end of case to center of refrigeration outlet	9 3/8 (238)	9 3/8 (238)	9 3/8 (238)	9 3/8 (238)
Outside diameter of the liquid line	3/8 (9.5)	3/8 (9.5)	3/8 (9.5)	3/8 (9.5)
Outside diameter of the suction line	5/8 (16)	5/8 (16)	5/8 (16)	5/8 (16)

Impact SMBV
Meat & Delicatessen

REFRIGERATION DATA

Note: This data is based on store temperature and humidity that does not exceed 75°F and 55% R.H.

	SMBV
Discharge Air (°F)	25
Evaporator (°F)	20
Unit Sizing (°F)	18
Btu/hr/ft	SMBV
Parallel	250
Conventional	260

DEFROST DATA

	SMBV
Frequency (hr)	24
Defrost Water (lb/ft/day)	0.10
<i>(± 15% based on case configuration and product loading).</i>	

OFFTIME	SMBV
Temp Term (°F)	43°
Failsafe (minutes)	90

ELECTRIC OR GAS Not Recommended

Standard Defrost Thermostat
Close on rise: close 43°F — open 33°F

CONVENTIONAL CONTROLS

Low Pressure Backup Control	SMBV
CI/CO (Temp °F)**	13°F/3°F
Indoor Unit Only, Pressure Defrost Termination (Temp °F)*	

Not Recommended

*Use a Temperature Pressure Chart to determine PSIG conversions.

PHYSICAL DATA

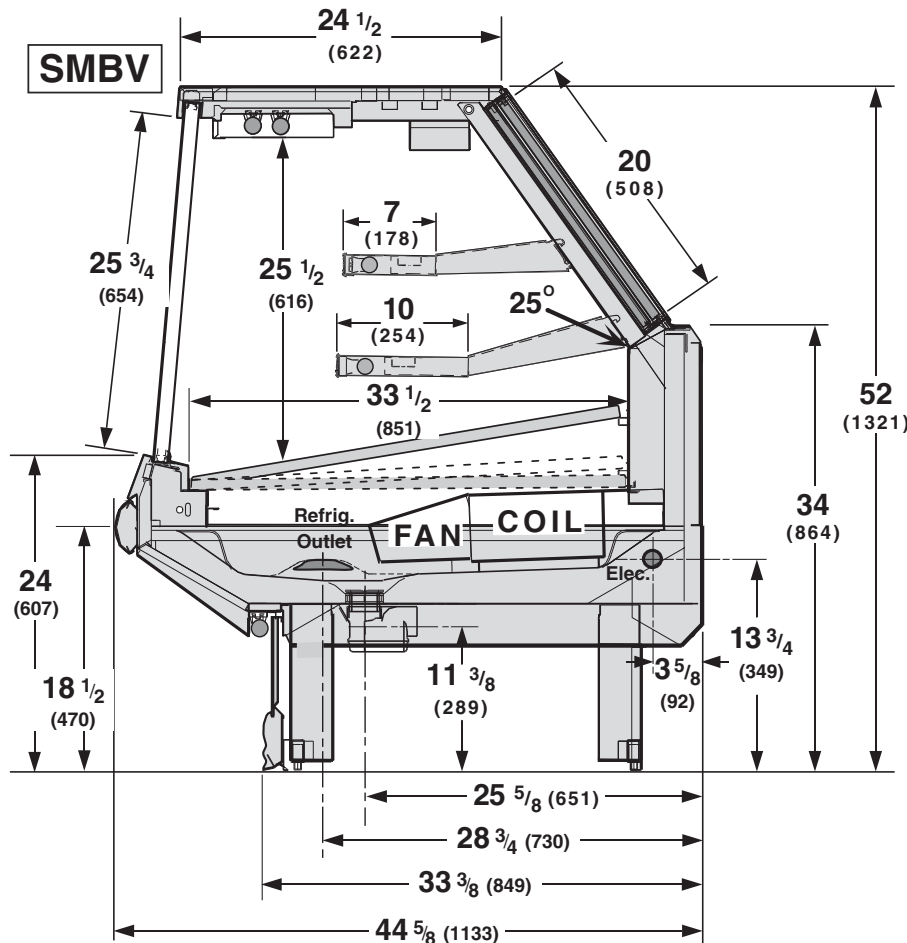
Estimated Charge (lb)**	
4 ft	0.75
6 ft	1.0
8 ft	1.5
12 ft	2.0

**This is an average for all refrigerant types. Actual refrigerant charge may vary by approximately half a pound.

Length Added to Lineup by:

Each Plastic End w/ Bumper (in.)	3 1/2
Each End/Partition (in.)	1 1/2

Dimensions shown as in. and (mm).



NSF Certification

This merchandiser model is manufactured to meet ANSI/NSF (National Sanitation Foundation) Standard #7 requirements for construction, materials & cleanability.

Impact SMBV Meat & Delicatessen
--

Electrical Data

Number of Fans	4 ft	6 ft	8 ft	12 ft					
Refrigeration (120V 60hz) – 4W	1	2	2	3					
Export	NA	NA	NA	NA					
		Amperes					Watts		
Merchandiser	4 ft	6 ft	8 ft	12 ft	4 ft	6 ft	8 ft	12 ft	
Refrigeration Fans									
Standard (120V 60hz)	0.31	0.62	0.62	0.93	24	48	48	72	
Energy Efficient(120V 60hz)	NA	NA	NA	NA	NA	NA	NA	NA	
Export: 230V 50 hz	NA	NA	NA	NA	NA	NA	NA	NA	
Ambient Air Wipe Fans	NA	NA	NA	NA	NA	NA	NA	NA	
Constant On Anti-sweat Heaters	NA	NA	NA	NA	NA	NA	NA	NA	
Cycling Anti-sweat Heaters	NA	NA	NA	NA	NA	NA	NA	NA	
Minimum Circuit Ampacity									
With Standard Fans (120V 60hz)	0.77	1.34	1.34	1.91					
With Energy Efficient Fans (120V 60hz)	NA	NA	NA	NA					
With Export Fans (230V 50 hz)	NA	NA	NA	NA					
Maximum Over Circuit Protection 120V	20	20	20	20					
Electric Defrost Heaters (208V)	NA	NA	NA	NA	NA	NA	NA	NA	
Gas Defrost Heaters (208V)	NA	NA	NA	NA	NA	NA	NA	NA	
Standard Lighting* (120V 60hz)	4 ft	6 ft	8 ft	12 ft	4 ft	6 ft	8 ft	12 ft	
2 Row Canopy	0.49	0.80	0.98	1.42	58	92	116	170	
Optional Lighting									
Third Row of Canopy	0.49	0.40	0.49	0.71	58	46	58	85	
1 Row Ledge	0.49	0.40	0.49	0.71	58	46	58	85	
2 Row Shelves	0.49	0.80	0.98	1.42	58	92	116	170	

Product Data

<i>Recommended Usable Cube</i> ¹ (Cu Ft/Ft)	2.75 ft ³ /ft (0.26 m ³ /m)
<i>ARI Total Display Area</i> ² (Sq Ft/Ft)	2.15 ft ² /ft (0.65 m ² /m)
<i>Shelf Area</i> ³ (Sq Ft/Ft)	4.21 ft ² /ft (1.28 m ² /m)

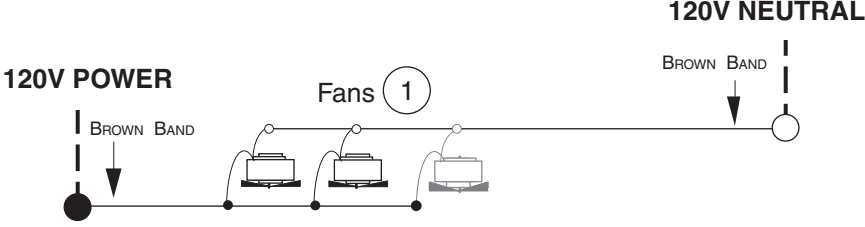
¹ ARI Refrigerated Volume less shelving and other unusable space: Refrigerated Volume/Unit of Length, ft³/ft [m³/m]
² Computed using ARI 1200 standard methodology: Total Display Area, ft² [m²]/Unit of Length, ft [m]
³ Shelf surface area is composed of bottom deck plus standard shelf complement, as shown in the Hussmann *Product Reference Guide*. The standard shelf complement for this model is one 7-inch shelf and one 10-inch shelf.

ESTIMATED SHIPPING WEIGHT ⁵						
Case					Solid End	Glass / Plastic End
	<i>4 ft</i>	<i>6 ft</i>	<i>8 ft</i>	<i>12 ft</i>	<i>(each)</i>	<i>(each)</i>
lb (kg)	700 (318)	800 (363)	900 (408)	1300 (590)	70 (32)	100 (45)

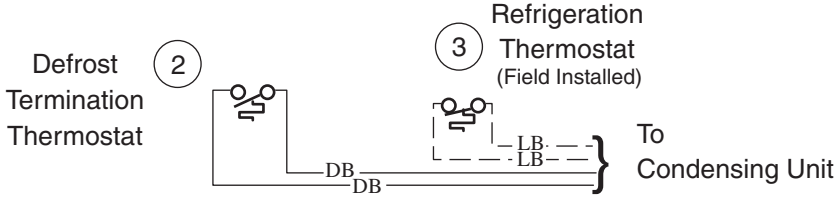
⁵ Actual weights will vary according to optional kits included.

Fan Wiring Offtime Defrost

Fans

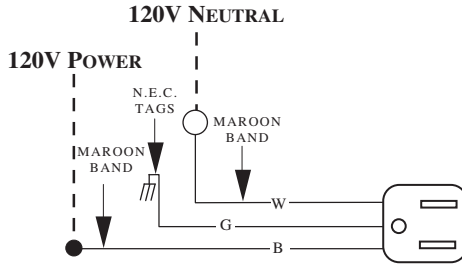


8 ft case has 2 Fans
12 ft case has 3 Fans



Receptacles

Electric Service Receptacle



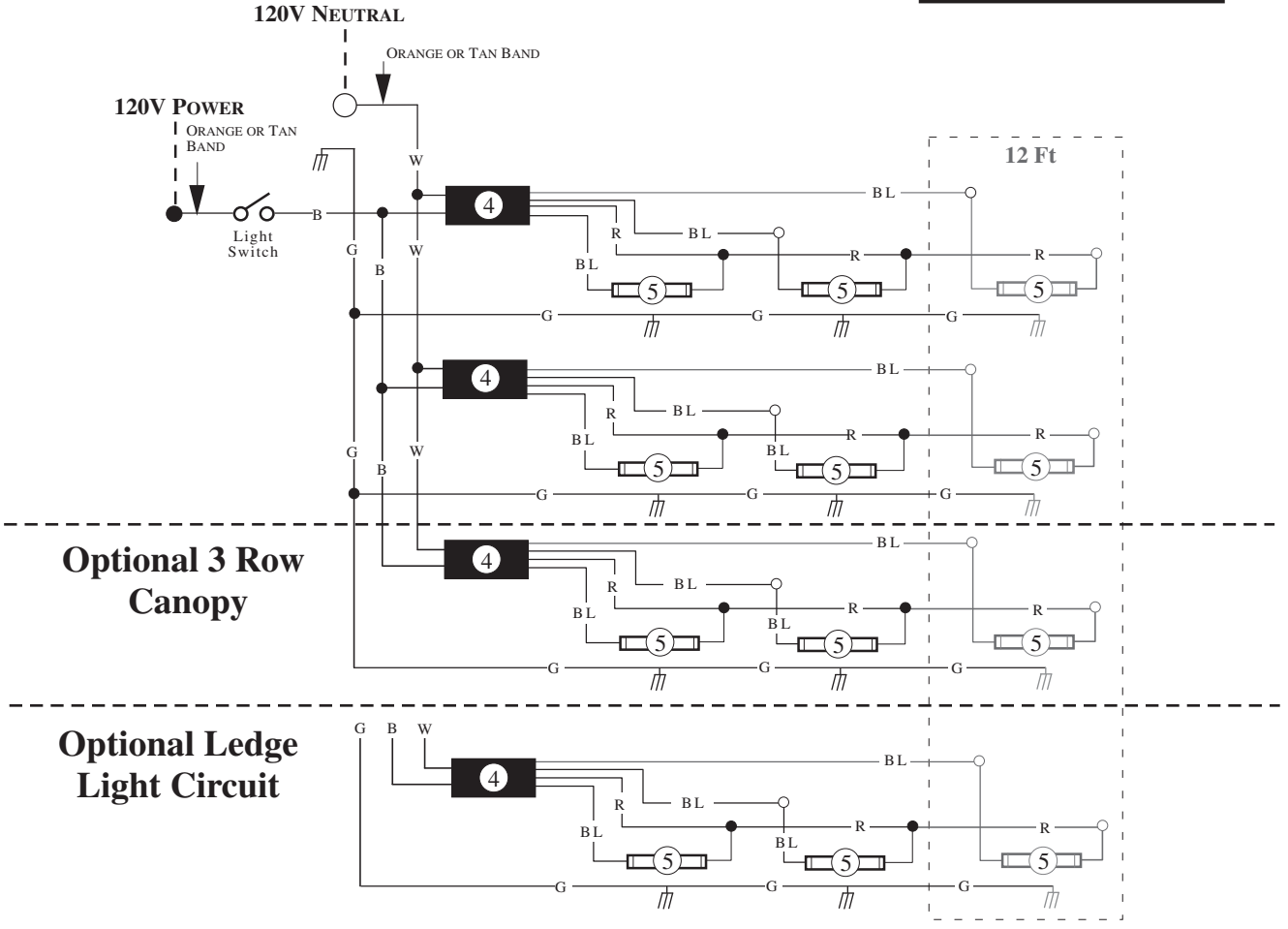
WARNING

All components must have mechanical ground, and the merchandiser must be grounded.
 Circled Numbers = Parts List Item Numbers
 Grayed components in 12 foot models only.

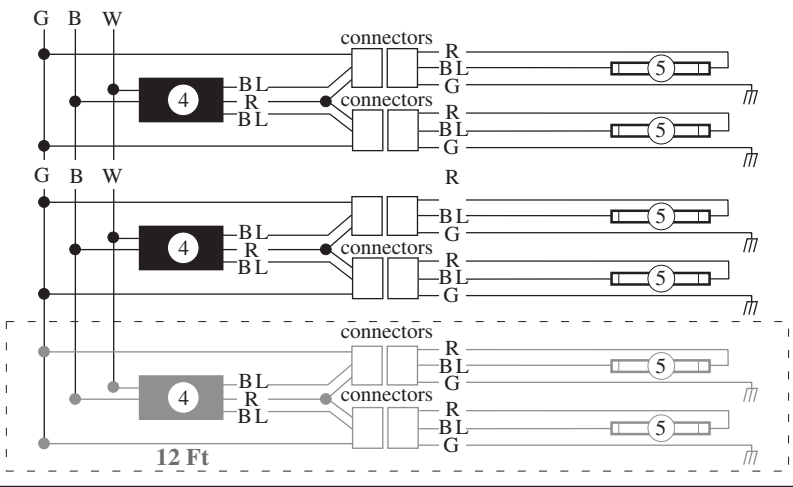
- R = Red G = Green BL = Blue LB = Light Blue DB = Dark Blue B = Black W = White
 ● = 120V POWER ○ = 120V NEUTRAL ⊥ = Field GROUND ≡ = Case GROUND

Standard Lighting, 2 Row Canopy

Light Circuits



Optional Shelf Harness and Light Circuits



WARNING

All components must have mechanical ground, and the merchandiser must be grounded.
 Circled Numbers = Parts List Item Numbers
 Grayed components in 12 foot models.

R = Red G = Green BL = Blue B = Black W = White

● = 120V POWER ○ = 120V NEUTRAL ≡ = Field GROUND ≡ = Case GROUND