

We reserve the right to change or revise specifications and product design in connection with any feature of our products. Such changes do not entitle the buyer to corresponding changes, improvements, additions or replacements for equipment previously sold or shipped.

Item	Part #	Description	Wiring Item #	Item	Part #	Description	Wiring Item #
<b>FAN ASSEMBLIES AND THERMOSTATS</b>				<b>LAMPS AND BALLASTS</b>			
A.	0137880	Optional Adjustable Refrigeration Thermostat (CT.4481084)	(1)	B.	Electronic Ballast		(2)
					0355716	<b>2 lamps</b> (120V) (BA.0355716)	
					0355398	<b>3 lamps</b> (120V) (BA.4480118)	
				C.	Fluorescent Lamp		(3)
						<i>Replace with like fixtures</i>	

Note: Changed items are marked. Revision C adds part numbers (page 1) and capacity data (page 5)



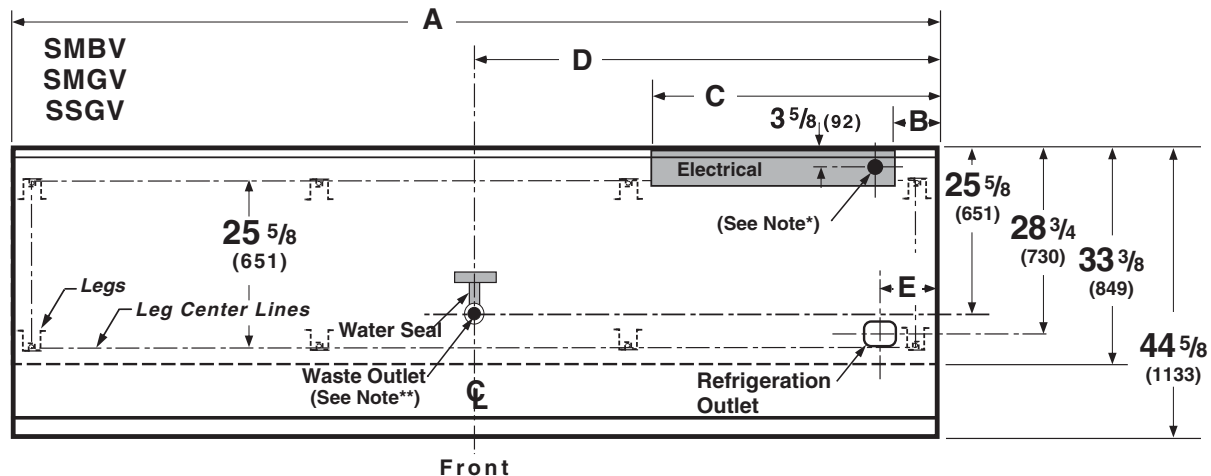
# Engineering Plan Views

## PHYSICAL DATA

Merchandiser Drip Pipe (in.)	1 1/2
Merchandiser Liquid Line (in.)	3/8
Merchandiser Suction Line (in.)	5/8

### Seafood, Delicatessen & Meat Multi-Pane Flat Glass

Dimensions shown as in. and (mm).



	4 ft	6 ft	8 ft	12 ft
<b>General</b>				
<b>(A)</b> Case Length*	48 1/4 (1226)	72 1/4 (1835)	96 3/8 (2448)	144 1/2 (3670)
Maximum O/S dimension of case back to front (Note: Includes bumper)	44 5/8 (1134)	44 5/8 (1134)	44 5/8 (1134)	44 5/8 (1134)
Back of case to front of splashguard	33 3/8 (848)	33 3/8 (848)	33 3/8 (848)	33 3/8 (848)
Center of rear legs to center of front legs	25 5/8 (651)	25 5/8 (651)	25 5/8 (651)	25 5/8 (651)
Each End and Partition adds 1 1/2 in. (38 mm) to the length of the lineup.				
<b>Electrical Service</b>				
<b>(B)</b> RH end of case to Electrical raceway right edge	7 (178)	7 (178)	7 (178)	7 (178)
<b>(C)</b> RH end of case to Electrical raceway left edge	41 3/8 (1051)	32 3/4 (831)	44 1/2 (1131)	44 1/2 (1131)
Back of case to center of knockout	3 5/8 (92)	3 5/8 (92)	3 5/8 (92)	3 5/8 (92)
* Electrical Field Wiring Connection Point				
<b>Waste Outlet</b>				
<b>(D)</b> RH end of case to the center of waste outlet	24 (610)	24 (610)	24 (610)	72 1/4 (1835)
Back of case to center of waste outlet	25 5/8 (652)	25 5/8 (652)	25 5/8 (652)	25 5/8 (652)
<b>Water Seal</b>				
Center of water seal to center of waste outlet	11 3/8 (289)	11 3/8 (289)	11 3/8 (289)	11 3/8 (289)
Outside diameter of drip piping	1 1/2 (38)	1 1/2 (38)	1 1/2 (38)	1 1/2 (38)
** Field installed water seal outlets, tees, and connectors are shipped with the merchandiser.				
<b>Refrigeration Outlet</b>				
Back of case to center of refrigeration outlet	28 3/4 (731)	28 3/4 (731)	28 3/4 (731)	28 3/4 (731)
<b>(E)</b> RH end of case to center of refrigeration outlet	9 3/8 (238)	9 3/8 (238)	9 3/8 (238)	9 3/8 (238)
Outside diameter of the liquid line	3/8 (9.5)	3/8 (9.5)	3/8 (9.5)	3/8 (9.5)
Outside diameter of the suction line	5/8 (16)	5/8 (16)	5/8 (16)	5/8 (16)

**Impact SSGV**  
**Seafood, Delicatessen & Meat**

**REFRIGERATION DATA**

**Note:** This data is based on store temperature and humidity that does not exceed 75°F and 55% R.H. Schedule defrost at night while lights are off.

	<b>SSGV</b>
<b>Discharge Air (°F)</b>	22
<b>Evaporator (°F)</b>	20
<b>Unit Sizing (°F)</b>	18
<b>Btu/hr/ft</b>	<b>SSGV</b>
<b>Parallel</b>	170
<b>Conventional</b>	180

**DEFROST DATA**

	<b>SSGV</b>
<b>Frequency (hr)</b>	24
<b>Defrost Water (lb/ft/day)</b>	0.10
<i>(± 15% based on case configuration and product loading).</i>	

	<b>SSGV</b>
<b>OFFTIME (minutes)</b>	70
<b>Failsafe (minutes)</b>	90

**ELECTRIC OR GAS**      Not Recommended

**CONVENTIONAL CONTROLS**

<b>Low Pressure Backup Control</b>	<b>SSG</b>
<b>CI/CO (Temp °F)*</b>	<b>13°F/3°F</b>
<b>Indoor Unit Only, Pressure Defrost Termination (Temp °F)**</b>	<b>Not Recommended</b>

\*Use a Temperature Pressure Chart to determine PSIG conversions.

**PHYSICAL DATA**

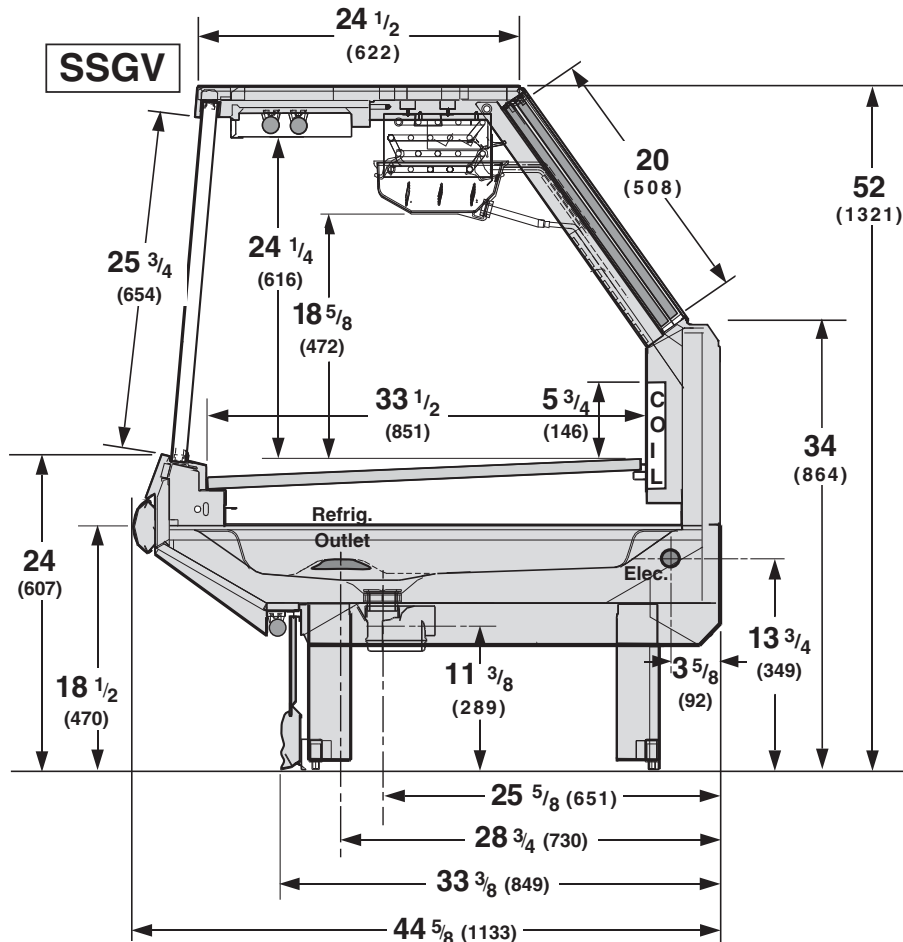
<b>Estimated Charge (lb)**</b>	
<b>4 ft</b>	0.75
<b>6 ft</b>	1.0
<b>8 ft</b>	1.5
<b>12 ft</b>	2.0

\*\*This is an average for all refrigerant types. Actual refrigerant charge may vary by approximately half a pound.

**Length Added to Lineup by:**

<b>Each Plastic End w/ Bumper (in.)</b>	3 1/2
<b>Each End/Partition (in.)</b>	1 1/2

Dimensions shown as in. and (mm).



**NSF Certification**

This merchandiser model is manufactured to meet ANSI/NSF (National Sanitation Foundation) Standard #7 requirements for construction, materials & cleanability.

<b>Impact SSGV</b> <b>Seafood, Delicatessen &amp; Meat</b>
---

**Electrical Data**

<b>Number of Fans</b>	<b>4 ft</b>	<b>6 ft</b>	<b>8 ft</b>	<b>12 ft</b>				
<b>Refrigeration</b>	NA	NA	NA	NA				
<b>Export</b>	NA	NA	NA	NA				
		<b>Amperes</b>				<b>Watts</b>		
<b>Merchandiser</b>	<b>4 ft</b>	<b>6 ft</b>	<b>8 ft</b>	<b>12 ft</b>	<b>4 ft</b>	<b>6 ft</b>	<b>8 ft</b>	<b>12 ft</b>
<b>Ambient Air Wipe Fans</b>	NA	NA	NA	NA	NA	NA	NA	NA
<b>Constant On Anti-sweat Heaters</b>	NA	NA	NA	NA	NA	NA	NA	NA
<b>Cycling Anti-sweat Heaters</b>	NA	NA	NA	NA	NA	NA	NA	NA
<b>Minimum Circuit Ampacity</b>	NA	NA	NA	NA				
<b>Maximum Over Circuit Protection 120V</b>	<b>20</b>	<b>20</b>	<b>20</b>	<b>20</b>				
<b>Electric Defrost Heaters (208V)</b>	NA	NA	NA	NA	NA	NA	NA	NA
<b>Gas Defrost Heaters (208V)</b>	NA	NA	NA	NA	NA	NA	NA	NA
<b>Standard Lighting*</b> (120V 60hz)	<b>4 ft</b>	<b>6 ft</b>	<b>8 ft</b>	<b>12 ft</b>	<b>4 ft</b>	<b>6 ft</b>	<b>8 ft</b>	<b>12 ft</b>
2 Row Canopy	0.49	0.80	0.98	1.42	58	92	116	170
<b>Optional Lighting</b>								
Third Row of Canopy	0.49	0.40	0.49	0.71	58	46	58	85
1 Row Ledge	0.49	0.40	0.49	0.71	58	46	58	85

115V Lighting Circuit Total = Standard Lighting + Total Optional Lighting + Optional Shelf Lighting

230V Lighting Circuit Total = Multiply 115V Lighting Circuit Total by 0.52

**Product Data**

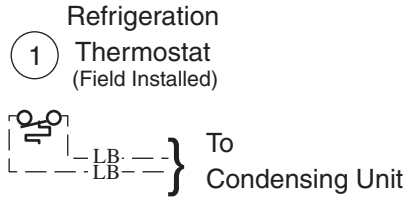
<i>Recommended Usable Cube</i> <sup>1</sup> (Cu Ft/Ft)	3.14 ft <sup>3</sup> /ft (0.29 m <sup>3</sup> /m)
<i>ARI Total Display Area</i> <sup>2</sup> (Sq Ft/Ft)	2.15 ft <sup>2</sup> /ft (0.65 m <sup>2</sup> /m)
<i>Shelf Area</i> <sup>3</sup> (Sq Ft/Ft)	2.79 ft <sup>2</sup> /ft (0.85 m <sup>2</sup> /m)

<sup>1</sup> ARI Refrigerated Volume less shelving and other unusable space: Refrigerated Volume/Unit of Length, ft<sup>3</sup>/ft [m<sup>3</sup>/m]  
<sup>2</sup> Computed using ARI 1200 standard methodology: Total Display Area, ft<sup>2</sup> [m<sup>2</sup>]/Unit of Length, ft [m]  
<sup>3</sup> Shelf surface area is composed of bottom deck plus standard shelf complement, as shown in the Hussmann *Product Reference Guide*. The standard shelf complement for this model is one 7-inch shelf and one 10-inch shelf.

ESTIMATED SHIPPING WEIGHT <sup>5</sup>						
Case					Solid End	Glass / Plastic End
	4 ft	6 ft	8 ft	12 ft	(each)	(each)
<b>lb (kg)</b>	700 (318)	800 (363)	900 (408)	1300 (590)	70 (32)	100 (45)

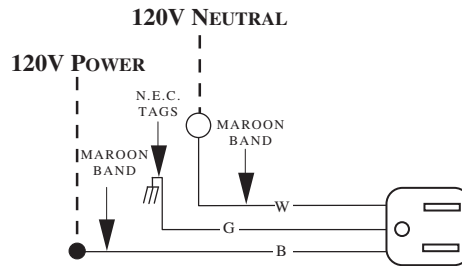
<sup>5</sup> Actual weights will vary according to optional kits included.

# Thermostat



# Receptacles

## Electric Service Receptacle

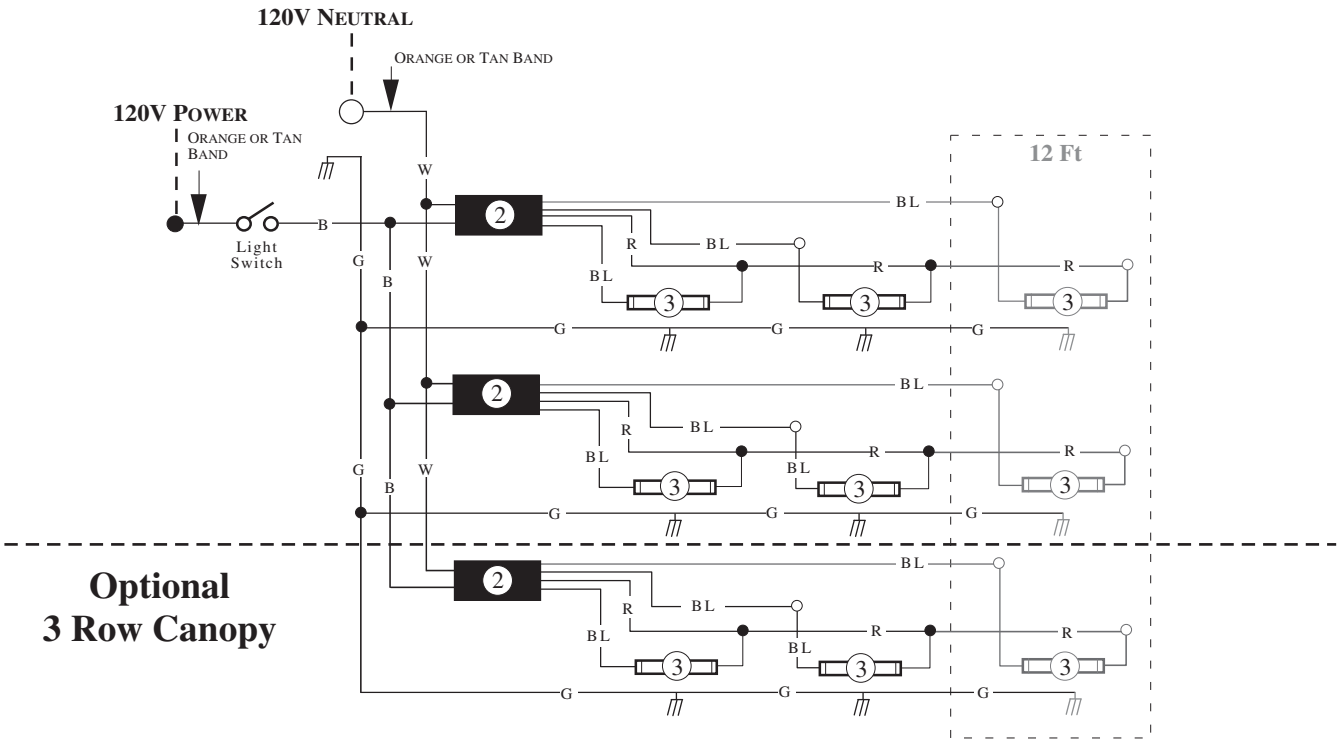


### WARNING

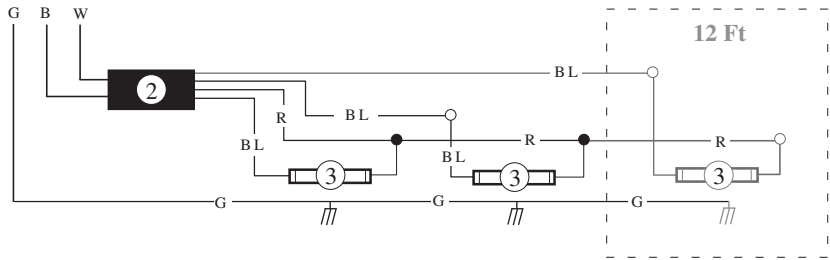
All components must have mechanical ground, and the merchandiser must be grounded.  
 Circled Numbers = Parts List Item Numbers  
 Grayed components in 12 foot models only.

- R = Red    G = Green    BL = Blue    LB = Light Blue    DB = Dark Blue    B = Black    W = White  
 ● = 120V POWER    ○ = 120V NEUTRAL    ≡ = Field GROUND    ≡ = Case GROUND

## Standard Lighting 2 Row Canopy



## Optional Ledge Light Circuit



### WARNING

All components must have mechanical ground, and the merchandiser must be grounded.

Circled Numbers = Parts List Item Numbers

Grayed components in 12 foot models only.

R = Red    G = Green    BL = Blue    B = Black    W = White

● = 120V POWER    ○ = 120V NEUTRAL    ≡ = Field GROUND    ≡ = Case GROUND