

We reserve the right to change or revise specifications and product design in connection with any feature of our products. Such changes do not entitle the buyer to corresponding changes, improvements, additions or replacements for equipment previously sold or shipped.

Item	Part #	Description	Wiring Item #	Item	Part #	Description	Wiring Item #
FAN ASSEMBLIES AND THERMOSTATS				HEATERS			
A.	0477657	Fan Motor, Evaporator (ECM) (MO.4410548)	(1)	G.	0344662	Heater Limit Thermostat (CT.4440261)	(7)
	0439177	Fan Blade, Evaporator embossing toward motor (FB.4780641)		H.	0495022	Defrost Heater 4, 8, & 12 ft (HE.4850733)	(8)
B.	0326081	Fan Motor -Muffin, Ambient (MO.4410571)	(2)		0419217	6 ft (HE.4850568)	
C.	0411744	Standard Non-adjustable Klixon Electric Defrost Thermostat (CT.0411744)	(3)	I.	0495025	Anti-Sweat Heater 4 ft (HE.4850734)	(9)
D.	0137880	Optional Adjustable Refrigeration Thermostat (CT.4481084)	(4)		0496492	6 ft (HE.4850735)	
					0496493	8 ft (HE.4850736)	
					0496494	12 ft (HE.4850737)	
				J.	0495016	Reheat Heater 4, 8, & 12 ft (HE.4850731)	(10)
					0495021	6 ft (HE.4850732)	
LAMPS AND BALLASTS				Multiglass-2 Pane, (With Anti-Sweat Heater)			
E.	Ballast		(5)	K.	0439925	4 ft case (GL.4966239)	(11)
	0466234	2 lamps (BA.4480823)			0439926	6 ft case (GL.4962273)	
	0466235	3 lamps (BA.4480901)			0439927	8 ft case (GL.4985239)	
F.	Fluorescent Lamp		(6)		0439928	12 ft case (GL.4987139)	
		Replace with like fixtures					

Note: Rev. D adds Product Data (page 5) and all revises wiring diagrams. Other changes are marked by a bar in the margin.



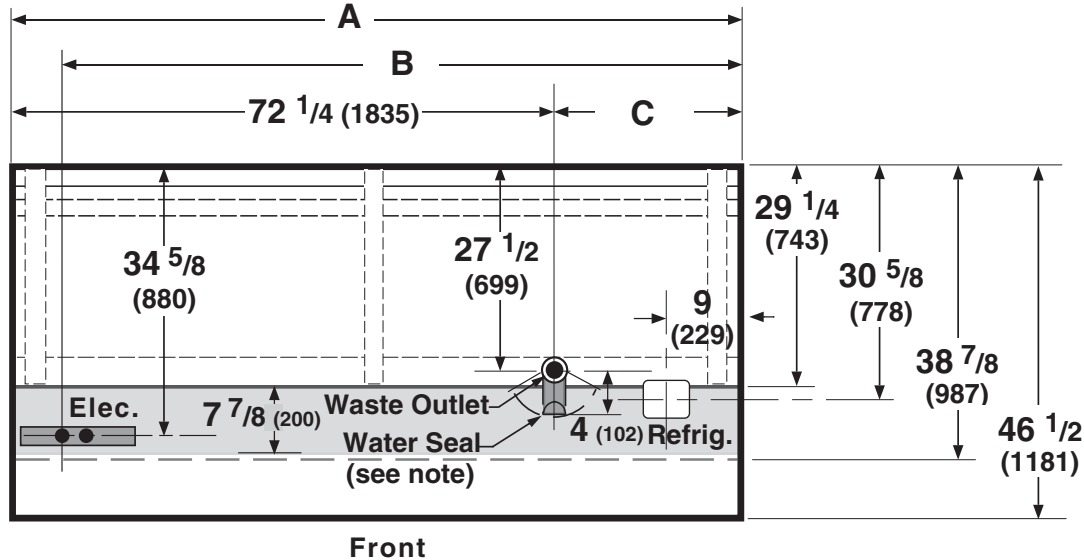
Engineering Plan Views

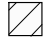


F2XLG

PHYSICAL DATA

Merchandiser	F2XLG
Drip Pipe (in.)	1 1/2
Liquid Line (in.)	3/8
Suction Line (in.)	1 1/8

Dimensions shown as inches and (mm).



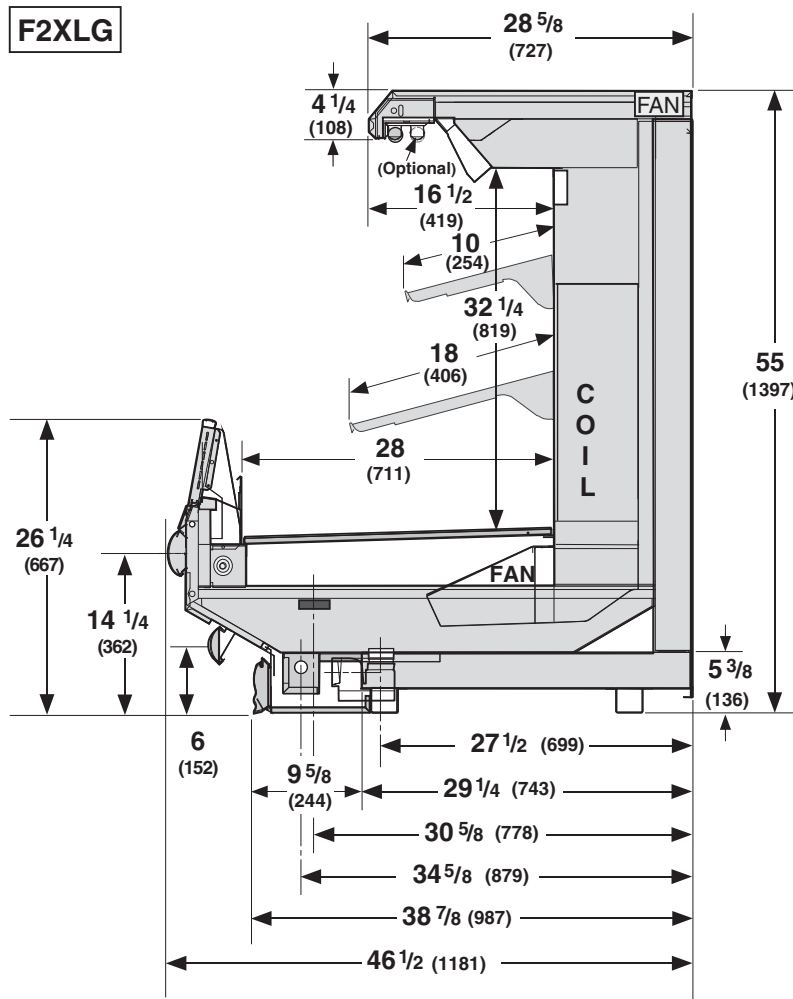
General	4 ft	6 ft	8 ft	12 ft
(A) Case Length (without ends or partitions) <i>(Each end and insulated partition adds 1 1/2 in. (38 mm) to case line up.)</i>	48 1/4 (1226)	72 1/4 (1835)	96 3/8 (2448)	144 1/2 (3670)
Maximum O/S dimension of case back to front <i>(includes bumper)</i>	46 1/2 (1181)	46 1/2 (1181)	46 1/2 (1181)	46 1/2 (1181)
Back of case to front of splashguard	38 7/8 (987)	38 7/8 (987)	38 7/8 (987)	38 7/8 (987)
Back of case to O/S edge of front skidrail	29 1/4 (743)	29 1/4 (743)	29 1/4 (743)	29 1/4 (743)
Width of skidrail	2 1/8 (54)	2 1/8 (54)	2 1/8 (54)	2 1/8 (54)
Stub-up area between front skidrail and splashguard	7 7/8 (200)	7 7/8 (200)	7 7/8 (200)	7 7/8 (200)
Electrical Service  <i>(Electrical Field Wiring connection point)</i>				
(B) RH End of case to center of farthest knockout	40 1/4 (1022)	64 1/4 (1632)	88 3/8 (2245)	138 7/8 (3527)
Back O/S of case to center of knockout	34 5/8 (880)	34 5/8 (880)	34 5/8 (880)	34 5/8 (880)
Waste Outlets (One each end) 				
(C) RH End of case to center of waste outlet	24 1/8 (613)	24 1/8 (613)	24 1/8 (613)	72 1/4 (1835)
LH End of case to center of waste outlet	24 1/8 (613)	48 1/8 (1222)	72 1/4 (1835)	72 1/4 (1835)
Back O/S of case to center of waste outlets	27 1/2 (699)	27 1/2 (699)	27 1/2 (699)	27 1/2 (699)
Edge of water seal to center of waste outlet	4 (102)	4 (102)	4 (102)	4 (102)
Schedule 40 PVC drip pipe	1 1/2 (38)	1 1/2 (38)	1 1/2 (38)	1 1/2 (38)
Note: Water seal outlet must clear front skid rail. F2 water seal rotation in forward direction only, due to low base.				
Refrigeration Outlet 				
Back O/S of case to center of refrigeration outlet	30 5/8 (778)	30 5/8 (778)	30 5/8 (778)	30 5/8 (778)
RH end of case to center of refrigeration outlet	9 (229)	9 (229)	9 (229)	9 (229)

Impact F2XLG
Frozen Meat/Seafood
Short Term Display

REFRIGERATION DATA

Note: This data is based on store temperature and humidity that does not exceed 75°F and 55% R.H.

Dimensions are shown as inches & (mm).



	F2XLG
Discharge Air (°F)	-2
Evaporator (°F)	-16
Unit Sizing (°F)	-19
<i>Btu/hr/ft</i>	
Parallel	2050
Conventional	2250

DEFROST DATA

	F2XLG
Frequency (hr)	6
Defrost Water (lb/ft/day)	11.0
(± 15% based on case configuration and product loading).	

DEFROST ELECTRIC

Temp Term (°F)	48°
Failsafe (min)	60

DEFROST GAS

Duration (min)	18
----------------	----

OFFTIME

Temp Term (°F)	NA
Failsafe (min)	NA

CONVENTIONAL CONTROLS

Low Pressure Backup Control

C/CO* -23°F/-33°F

Indoor Unit Only, Pressure Defrost

Termination (Temp °F)* NA

*Use a Temperature Pressure Chart to determine PSIG conversions.

Estimated Charge (lb)**

4 ft	1.75
6 ft	2.53
8 ft	3.51
12 ft	5.07

**This is an average for all refrigerant types. Actual refrigerant charge may vary by approximately half a pound.

NSF Certification

This merchandiser model is manufactured to meet ANSI/NSF (National Sanitation Foundation) Standard #7 requirements for construction, materials & cleanability.

Impact F2XLG Frozen Meat/Seafood Short Term Display
--

Electrical Data

	4 ft	6 ft	8 ft	12 ft					
Evaporator Fans	2	4	4	6					
Ambient Fans	2	4	4	6					
		Amperage					Wattage		
	4 ft	6 ft	8 ft	12 ft	4 ft	6 ft	8 ft	12 ft	
Evaporator Fan									
120V 60Hz Energy Efficient	0.80	1.60	1.60	2.40	60	120	120	180	
Ambient Fan									
120V 60Hz Standard	0.30	0.60	0.60	0.90	22	44	44	66	
Anti-Sweat Heaters (ON FAN CIRCUIT)									
120V 60Hz Standard	1.00	1.50	2.00	3.00	120	180	240	360	
Minimum Circuit Ampacity									
120V 60Hz Standard	2.30	3.90	4.40	6.50					
Maximum Over Current Protection 120V	20	20	20	20					
Glass Anti-Sweat Heater — 120V	0.25	0.38	0.51	0.77	30	46	61	92	
Re-heat Heater — 120V	1.44	2.88	2.8	4.33	173	346	346	519	
Electric Defrost — 208V 1Φ	3.29	6.59	6.59	9.88	685	1370	1370	2055	
Standard Lighting (T-8 fluorescent)									
1 Row Canopy	0.50	0.50	0.50	0.75	59	59	59	85	
Optional Lighting (T-8 fluorescent)									
Additional 2 Row Canopy	—	0.50	0.50	0.75	—	59	59	85	

120V Lighting Circuit Total = Standard Lighting + Total Optional Lighting + Optional Shelf Lighting
 230V Lighting Circuit Total = Multiply 120V Lighting Circuit Total by 0.52

Product Data

<i>Recommended Usable Cube</i> ¹ (Cu Ft/Ft)	4.04 ft ³ /ft (0.38 m ³ /m)
<i>ARI Total Display Area</i> ² (Sq Ft/Ft)	2.75 ft ² /ft (0.84 m ² /m)
<i>Shelf Area</i> ³ (Sq Ft/Ft)	4.81 ft ² /ft (1.46 m ² /m)

¹ ARI Refrigerated Volume less shelving and other unusable space: Refrigerated Volume/Unit of Length, ft³/ft [m³/m]

² Computed using ARI 1200 standard methodology: Total Display Area, ft² [m²]/Unit of Length, ft [m]

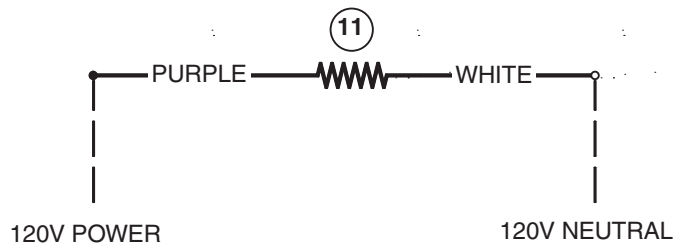
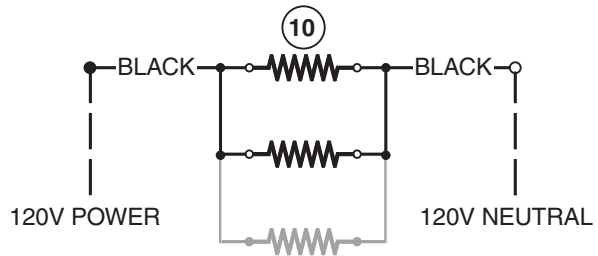
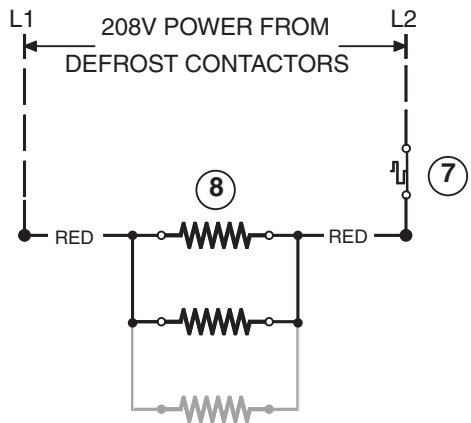
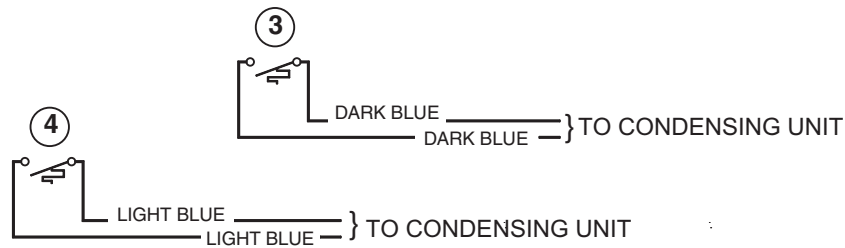
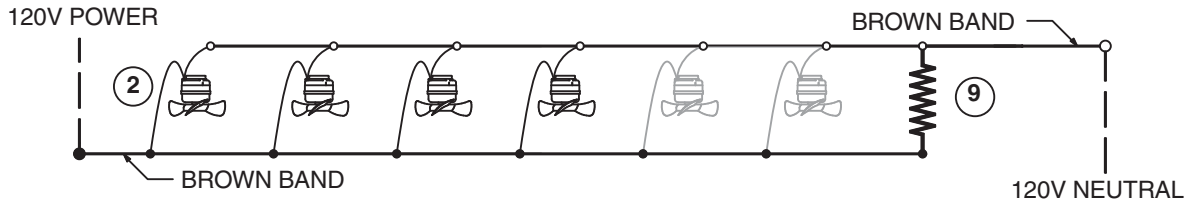
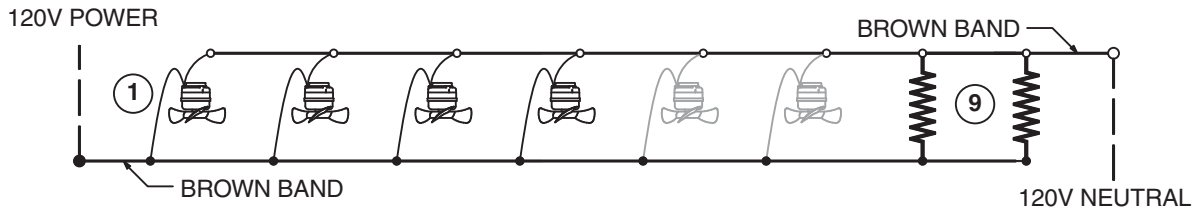
³ Shelf surface area is composed of bottom deck plus standard shelf complement, as shown in the Hussmann *Product Reference Guide*. The standard shelf complement for this model is (1) row of 10-inch shelves and (1) row of 18-inch shelves.

ESTIMATED SHIPPING WEIGHT⁵

Case	<i>4 ft</i>	<i>6 ft</i>	<i>8 ft</i>	<i>12 ft</i>	Solid End (each)
lb (kg)	600 (272)	700 (318)	900 (408)	1100 (499)	100 (45)

⁵ Actual weights will vary according to optional kits included.

Wiring Diagrams Fans & Heaters



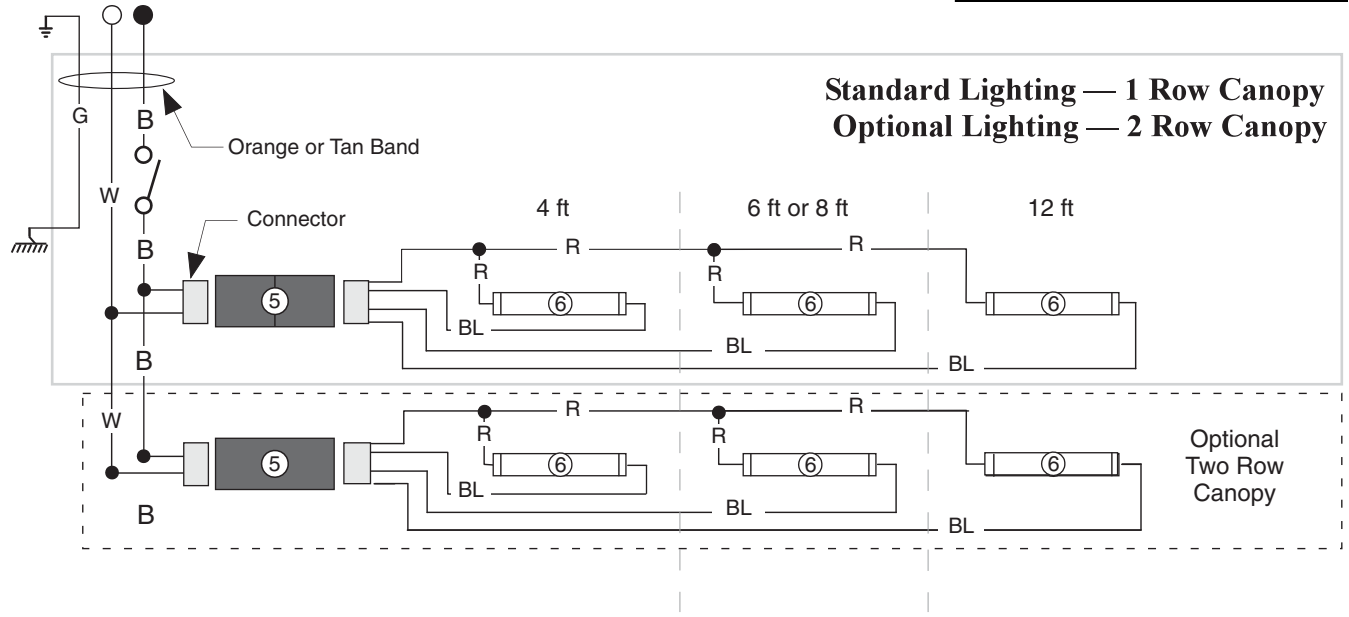
WARNING

All components must have mechanical ground, and the merchandiser must be grounded.

CIRCLED NUMBERS = PARTS LIST ITEM NUMBERS

Grayed components in 12 ft models only.

Light Circuits



WARNING

All components must have mechanical ground, and the merchandiser must be grounded.

CIRCLED NUMBERS = PARTS LIST ITEM NUMBERS

R = Red Y = Yellow G = Green BL = Blue B = Black W = White

● = 120V POWER ○ = 120V NEUTRAL ⊥ = FIELD GROUND mmm = CASE GROUND