

**Warning:**  
Terminal block **NOT** for  
case-to-case  
wire connection!

We reserve the right to change or revise specifications and product design in connection with any feature of our products. Such changes do not entitle the buyer to corresponding changes, improvements, additions or replacements for equipment previously sold or shipped.

Item	Part #	Description	Wiring Item #	Item	Part #	Description	Wiring Item #
<b>FAN ASSEMBLIES, AND THERMOSTATS</b>				<b>LAMPS, BALLASTS, LED FIXTURES AND POWER SUPPLY</b>			
A.	<b>12W Standard</b>	Fan Assembly	(1)	D.	0489698	2 Lamp Ballast (BA.4481596)	
	0047000	Fan Motor, Evaporator (MO.4410103)			0489699	3 Lamp Ballast (BA.4481739)	
	0461805	Fan Blade (FB.4780446)			0424649	Export Ballast (BA.0424649)	
	<b>12W Optional Energy Efficient</b>	Fan Assembly	(1)	E.		Standard Fluorescent Lamp	<i>Replace with like fixtures</i>
	0477655	Fan Motor, Evaporator (MO.4410546)		F.	0499399	LED Power Supply (EP.4481668)	
	0461805	Fan Blade (FB.4780446)		G.		LED Fixture	<i>Replace with like fixtures</i>
B.		Optional Adjustable Refrigeration Thermostat	(2)	<b>NOTE: For LED lighting parts contact your Hussmann service representative at 1-800-922-1919. Please have your model and serial number available.</b>			
<b>CONTROL (RMF ONLY)</b>				<b>Refer to</b> INNOVATOR REACH-IN GLASS DOOR INSTALLATION AND SERVICE <i>manual</i> , P/N 0425683, for Innovator and Innovator II door and frame replacement parts.			
C.	Fan Control (RMF)		(3)				
	0125275	Fan Speed Control, 120V, 60hz (CT.4440734)					

**NOTE:** Revision L updates Btu note, page 3.



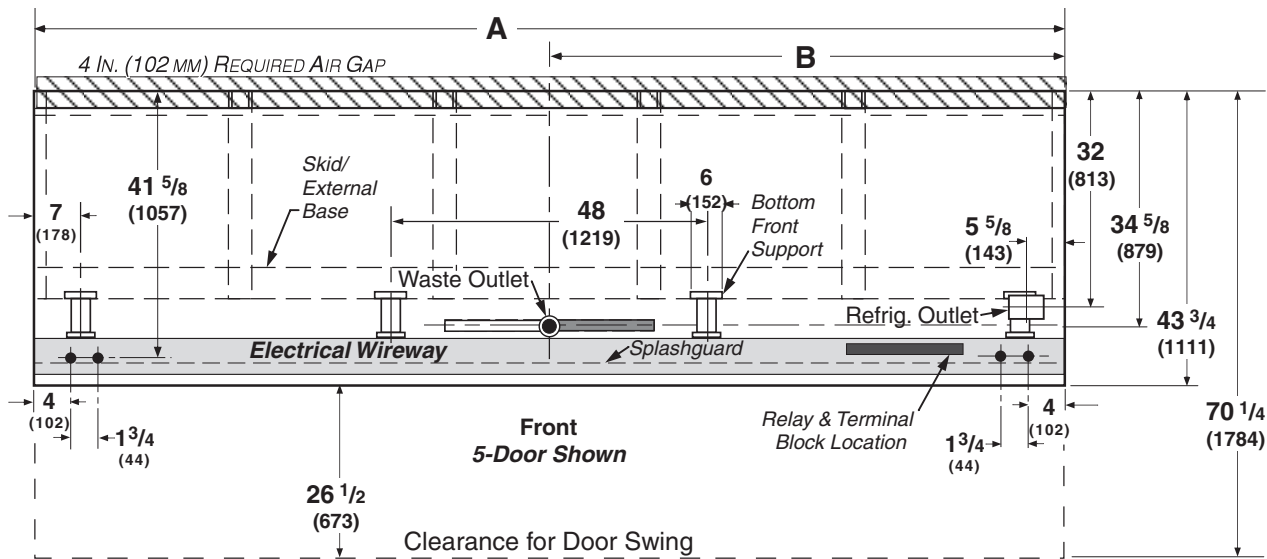
# Engineering Plan Views

## RL - RM - RMF Plan View 07-2008

PHYSICAL DATA	
Merchandiser Drip Pipe (in.)	1 1/4
Merchandiser Liquid Line (in.)	3/8
Merchandiser Suction Line (in.)	7/8

Reach-In  
2, 3, 4 & 5 Door

Dimensions shown as in. & (mm).

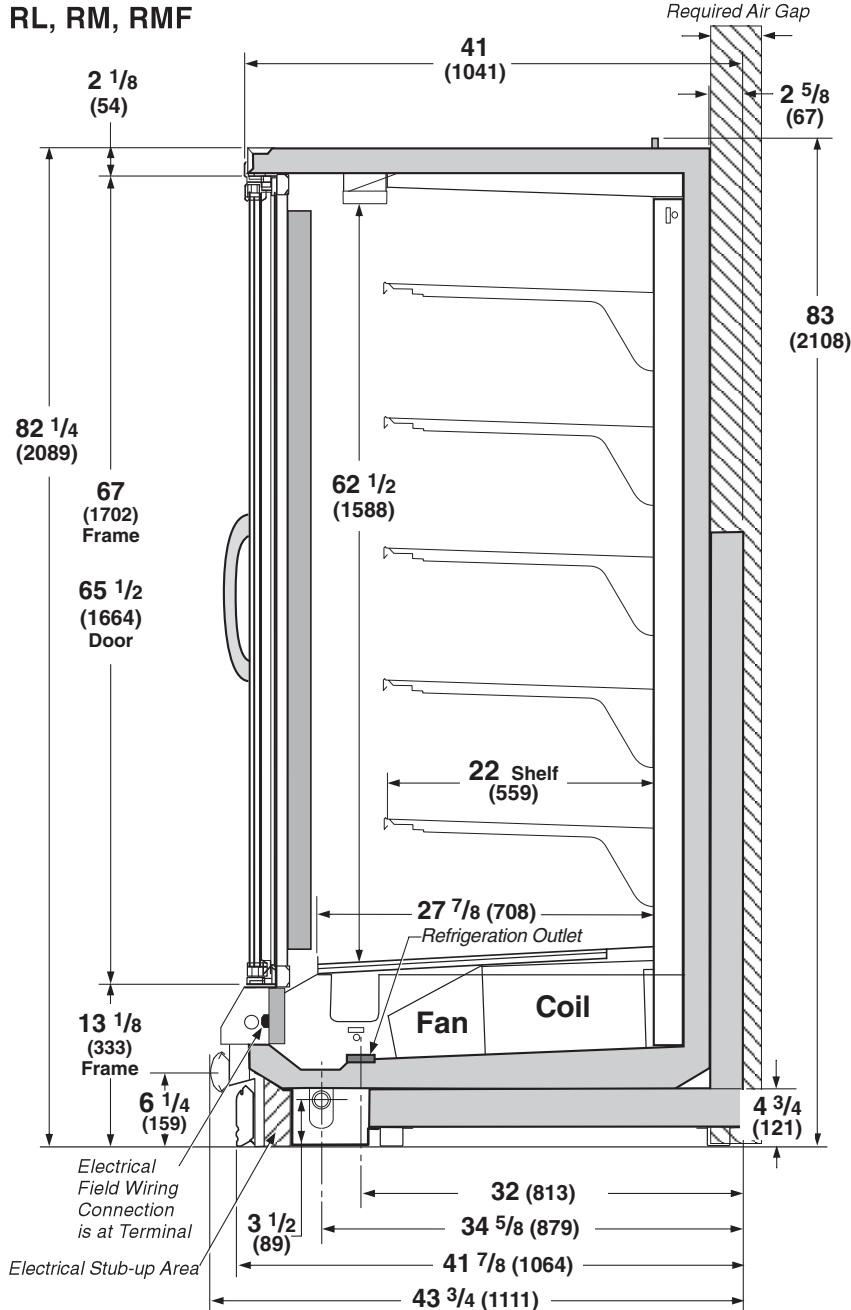


	2 Dr	3 Dr	4 Dr	5 Dr
<b>General</b>				
<b>(A)</b> Case Length (without ends or partitions) <i>(Each end adds 2 in. (51 mm) to length of lineup; each insulated partition adds 1 1/2 in. (38 mm).</i>	62 (1575)	92 1/2 (2350)	122 7/8 (3121)	153 3/8 (3896)
Maximum O/S dimension of case back to front <i>(Includes bumper. Add 26 1/2 in. (673 mm) for door swing.)</i>	43 3/4 (1111)	43 3/4 (1111)	43 3/4 (1111)	43 3/4 (1111)
Back of case to rear of splashguard	39 7/8 (1013)	39 7/8 (1013)	39 7/8 (1013)	39 7/8 (1013)
Width of Skidrail	3 3/4 (95)	3 3/4 (95)	3 3/4 (95)	3 3/4 (95)
Width of Bottom Front Support	6 (152)	6 (152)	6 (152)	6 (152)
Stub-up area between front support and splashguard	3 1/8 (79)	3 1/8 (79)	3 1/8 (79)	3 1/8 (79)
<b>Electrical Service</b>				
RH end of case to the center of nearest knockout	4 (102)	4 (102)	4 (102)	4 (102)
RH end of case to the center of LH knockout	58 (1473)	88 1/2 (2248)	118 7/8 (3019)	149 3/8 (3794)
Back O/S of case to center of knockout	41 5/8 (1058)	41 5/8 (1058)	41 5/8 (1058)	41 5/8 (1058)
* NOTE: Electrical Field Wiring Connection Point is at terminal.				
<b>Waste Outlet</b>				
<b>(B)</b> Right end of case to center of waste outlet	23 7/8 (606)	54 1/4 (1378)	46 1/4 (1175)	76 5/8 (1946)
Back O/S of case to center of waste outlet	34 5/8 (879)	34 5/8 (879)	34 5/8 (879)	34 5/8 (879)
<b>Water Seal</b>				
Edge of water seal to center of waste outlet	13 (330)	13 (330)	13 (330)	13 (330)
Schedule 40 PVC drip pipe	1 1/4 (32)	1 1/4 (32)	1 1/4 (32)	1 1/4 (32)
** NOTE: Field installed water seal outlets, tees, and connectors are shipped with case				
<b>Refrigeration Outlet</b>				
RH end of case to center of RH refrigeration outlet	5 3/8 (137)	5 3/8 (137)	5 3/8 (137)	5 3/8 (137)
Back O/S of case to center of refrigeration outlet	32 (813)	32 (813)	32 (813)	32 (813)
Outside bottom front supports from end of case	6 3/4 (170)	6 3/4 (170)	6 3/4 (170)	6 3/4 (170)
Center bottom front support from Centerline	24 (610)	24 (610)	24 (610)	24 (610)
<i>Distance between Center and Outside supports will vary</i>				

# Reach-in 2, 3, 4 and 5 Door Models

**Impact RM**  
**With INNOVATOR Doors**  
**Dairy, Deli, Beverages**

Dimensions shown as in. & (mm).



## REFRIGERATION DATA

Note: This data is based on store temperature and humidity levels that do not exceed NSF guidelines.

	MEDIUM TEMP	
Discharge Air °F	32	
Evaporator °F	27	
Unit Sizing °F	25	

BTU/HR/DOOR Temp (°F) /R.H.	NSF TYPE I	NSF TYPE II
	75°/55%	80°/55%
Parallel	850	890
Conventional	890	930

\*Optional LED lighting reduces refrigeration load by 100 Btu/hr/Door.  
 Optional Energy Efficient Fan motors reduce refrigeration load by 109 Btu/hr/Door.

## DEFROST DATA

Frequency (hr)	24
Defrost Water (lb/Dr/day)	0.36
(± 15% based on case configuration and product loading.)	

<i>ELECTRIC</i>	NA
Temp Term (°F)	NA
Failsafe (minutes)	NA

*GAS* Not Recommended

*OFFTIME* 60 minutes

## CONVENTIONAL CONTROLS

Low Pressure Backup Control  
 C1/CO (Temp °F)\* +20°/+10°

Indoor Unit Only, Pressure Defrost Termination (Temp °F)\*

Not Recommended

\*Use a Temperature Pressure Chart to determine PSIG conversions.

## Estimated Charge (lb)\*\*

2Dr	1.8	4Dr	3.6
3Dr	2.7	5Dr	4.6

\*\*This is an average for all refrigerant types. Actual refrigerant charge may vary by approximately half a pound.

## Length Added to Lineup by each

Standard End (in.)	2
Optional End with Window (in.)	1 1/2
Optional Partition (in.)	1 1/2

## NSF Certification

This merchandiser model is manufactured to meet ANSI/NSF (National Sanitation Foundation) Standard #7 requirements for construction, materials & cleanability.

Impact **RM**  
 With INNOVATOR Doors  
 Dairy, Deli, Beverages

**Hussmann recommends against frame heater cycling with Innovator doors to prevent door seals from freezing to the frames and tearing.**

## Electrical Data

Number of Fans—12W	2				3				4				5			
	Amperes								Watts							
Merchandiser	2Dr	3Dr	4Dr	5Dr	2Dr	3Dr	4Dr	5Dr	2Dr	3Dr	4Dr	5Dr	2Dr	3Dr	4Dr	5Dr
<b>Evaporator Fan</b>																
120V 60Hz Standard	1.30	1.95	2.60	3.25	100	150	200	250	100	150	200	250	100	150	200	250
120V 50Hz Standard	1.50	2.25	3.00	3.75	114	171	228	285	114	171	228	285	114	171	228	285
220V 60Hz Export	0.66	0.99	1.32	1.65	100	150	200	250	100	150	200	250	100	150	200	250
220V 50Hz Export	0.76	1.14	1.52	1.90	114	171	228	285	114	171	228	285	114	171	228	285
120V 60Hz Energy Efficient	0.60	0.90	1.20	1.50	36	54	72	90	36	54	72	90	36	54	72	90
220V 60Hz Energy Efficient	0.30	0.45	0.60	0.75	36	54	72	90	36	54	72	90	36	54	72	90
<b>Door Anti-sweat Heaters (on fan circuit)</b>																
<b>Frame Anti-sweat Heaters (on fan circuit)</b>																
120V 50/60Hz Standard	0.89	1.34	1.79	2.24	107	161	215	269	107	161	215	269	107	161	215	269
220V 50/60Hz Export	0.49	0.73	0.98	1.22	107	161	215	269	107	161	215	269	107	161	215	269
<b>Minimum Circuit Ampacity</b>																
120V 60Hz Standard	2.39	3.49	4.59	5.69												
120V 50Hz Standard	2.59	3.79	4.99	6.19												
220V 60Hz Export	1.35	1.92	2.50	3.07												
220V 50Hz Export	1.45	2.07	2.70	3.32												
120V 60Hz Energy Efficient	1.69	2.44	3.19	3.94												
220V 60Hz Energy Efficient	0.99	1.38	1.78	2.17												
<b>Maximum Over Current Protection 120V</b>	<b>20</b>	<b>20</b>	<b>20</b>	<b>20</b>												
<b>Maximum Over Current Protection 220V</b>	<b>15</b>	<b>15</b>	<b>15</b>	<b>15</b>												
<b>Defrost</b>																
<b>Standard Vertical Lighting</b>																
<b>Innovator* Doors (120V)</b>	<b>1.50</b>	<b>2.00</b>	<b>2.50</b>	<b>3.00</b>	<b>180</b>	<b>240</b>	<b>300</b>	<b>360</b>	<b>180</b>	<b>240</b>	<b>300</b>	<b>360</b>	<b>180</b>	<b>240</b>	<b>300</b>	<b>360</b>
(Export: 220V 50 hz)	0.84	1.12	1.40	1.68	185	246	308	370	185	246	308	370	185	246	308	370
<b>Optional LED Lighting</b>																
<b>Hussmann EcoShine™ [27 W] (120V)</b>	0.45	0.68	0.90	1.13	54	81	108	135	54	81	108	135	54	81	108	135
<b>Hussmann EcoShine™ [27 W] [220V Export]</b>	0.25	0.37	0.49	0.61	54	81	108	135	54	81	108	135	54	81	108	135
<b>Hussmann EcoShine™ EP [16 W] (120V)</b>	0.27	0.40	0.53	0.67	32	48	64	80	32	48	64	80	32	48	64	80
<b>Hussmann EcoShine™ EP [16 W] [220V Exp]</b>	0.15	0.22	0.29	0.36	32	48	64	80	32	48	64	80	32	48	64	80
<b>Hussmann EcoShine™ [20 W] (120V)</b>	0.33	0.50	0.67	0.83	40	60	80	100	40	60	80	100	40	60	80	100
<b>Hussmann EcoShine™ [20 W] [220V Export]</b>	0.17	0.25	0.33	0.42	40	60	80	100	40	60	80	100	40	60	80	100
<b>Gelcore (120V)</b>	0.48	0.73	0.97	1.21	58	87	116	145	58	87	116	145	58	87	116	145
<b>Gelcore (120V) [220V (Export)]</b>	0.26	0.40	0.53	0.66	58	87	116	145	58	87	116	145	58	87	116	145

\* *Innovator* or *Innovator II*

**Product Data**

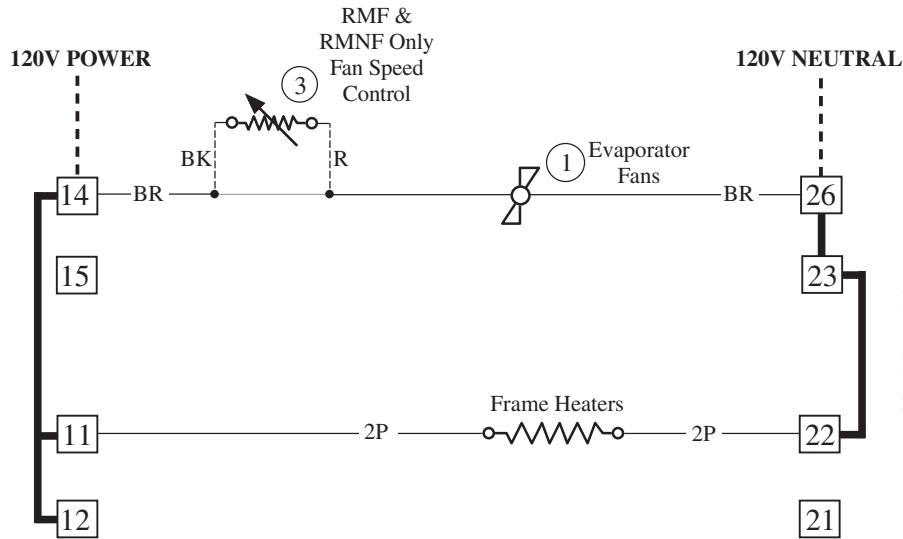
<i>Recommended Usable Cube</i> <sup>1</sup> (Cu Ft/Dr)	23.46 ft <sup>3</sup> /Dr (0.66 m <sup>3</sup> /Dr)
<i>ARI Total Display Area</i> <sup>2</sup> (Sq Ft/Dr)	13.31 ft <sup>2</sup> /Dr (1.24 m <sup>2</sup> /Dr)
<i>Shelf Area</i> <sup>3</sup> (Sq Ft/Dr)	29.32 ft <sup>2</sup> /Dr (2.72 m <sup>2</sup> /Dr)

- <sup>1</sup> ARI Refrigerated Volume less shelving and other unusable space: Refrigerated Volume/Unit of Length, ft<sup>3</sup>/ft [m<sup>3</sup>/m]  
<sup>2</sup> Computed using ARI 1200 standard methodology: Total Display Area, ft<sup>2</sup> [m<sup>2</sup>]/Unit of Length, ft [m]  
<sup>3</sup> Shelf surface area is composed of bottom deck plus standard shelf complement, as shown in the Hussmann *Product Reference Guide*. The standard shelf complement for this model is (5) rows of 22-inch shelves.

<b>ESTIMATED SHIPPING WEIGHT <sup>4</sup></b>					
<b>Case</b>	<i>2 Dr</i>	<i>3 Dr</i>	<i>4 Dr</i>	<i>5 Dr</i>	<b>Solid End</b>
					<i>(each)</i>
<b>lb (kg)</b>	997 (453)	1295 (589)	1595 (725)	1874 (852)	55 (25)
<sup>4</sup> Actual weights will vary according to optional kits included.					

# Fan and Heater Circuits - Offtime Defrost (standard) Medium Temperature

CIRCLED NUMBERS = PARTS LIST ITEM NUMBERS  
 R = Red P = Purple 2P = Purple (2 Bands) DB = Dark Blue BL = Black  
 LB = Light Blue Pink = Pink BR = Brown Y = Yellow OR = Orange W = White  
**THESE ARE MARKER COLORS (WIRE MAY VARY.)**



Refer to *Innovator Reach-In Glass Door, Installation and Service manual*, P/N 0425683, for *Innovator* door and frame replacement parts.

