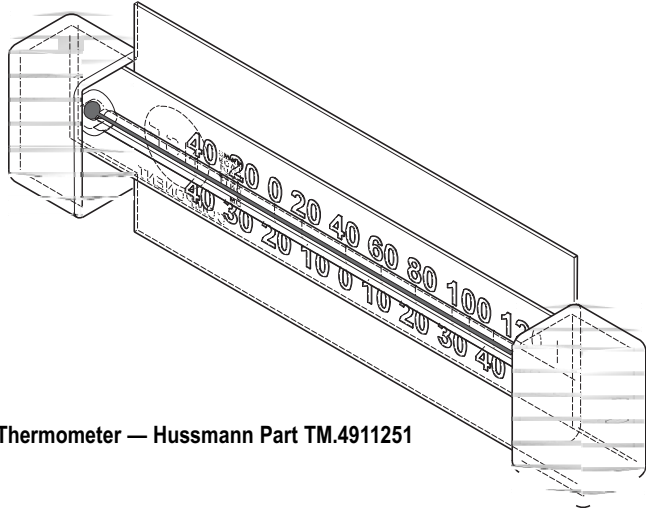
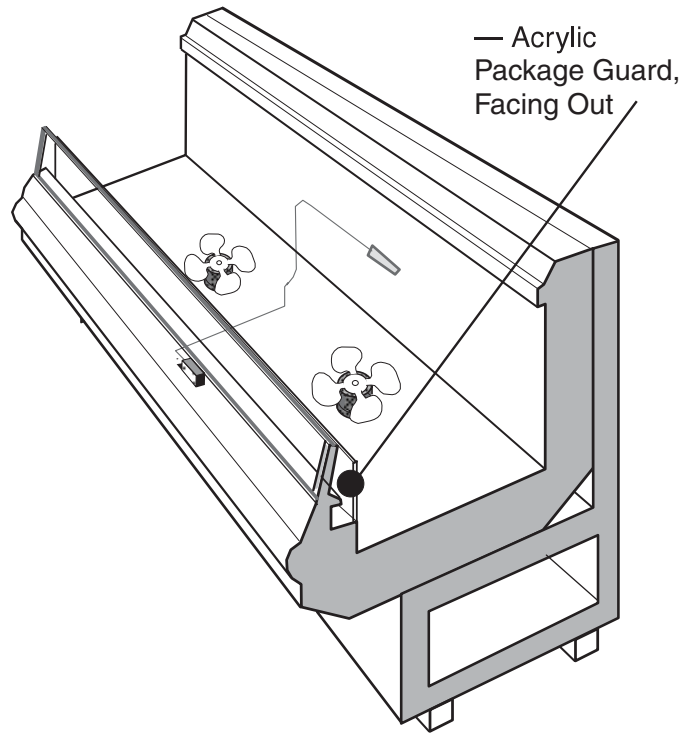


# This is an NSF-7 & US FDA Food Code Required Thermometer

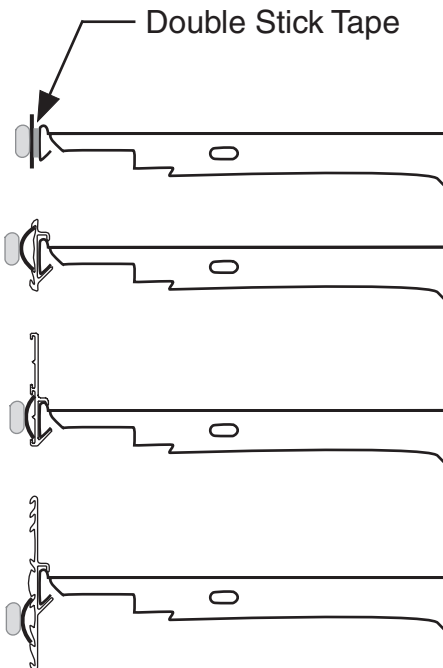


Thermometer — Hussmann Part TM.4911251

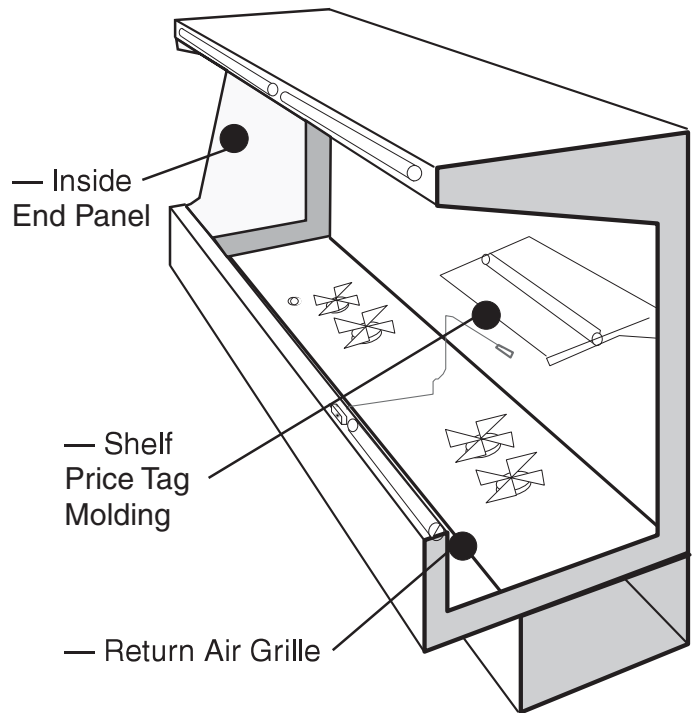
## Suggested Mounting Locations in Single Deck Glass Front Impact Merchandisers



Hussmann Corporation • 12999 St. Charles Rock Road • Bridgeton, MO 63044-2483  
 U.S. & Canada 1-800-922-1919 • Mexico 1-800-522-1900 • www.hussmann.com  
 © 2007 Hussmann Corporation



Flexible Plastic Fits in Price Tag Moldings



## Suggested Mounting Locations in Multi-deck Merchandisers

# Important – Please read!

---

This thermometer is provided in response to United States  
Food and Drug Administration (US FDA) Food Code [ <http://www.fda.gov/> ]  
and  
National Sanitation Foundation (NSF / ANSI) Standard 7 [ <http://www.nsf.org/> ]

---

Each installation will be different depending on how the unit is stocked, shopping patterns in the department and ambient conditions of the store. The suggested locations provided herein are possible locations. It is the responsibility of the purchaser / user to determine the location within the food storage area of the unit that best meets the code requirements above.

The thermometer may need to be moved several times to find the warmest location. Mounting options include flexible plastic for price tag molding application, magnet applied to back of flexible plastic for steel end wall, and double stick tape. Tape must not be exposed after installation.

Questions about either code should be addressed to local agencies or other appropriate officials.

---

**Keep with merchandiser  
or give to store manager.**

**DO NOT DESTROY.**