

We reserve the right to change or revise specifications and product design in connection with any feature of our products. Such changes do not entitle the buyer to corresponding changes, improvements, additions or replacements for equipment previously sold or shipped.

Item Part #	Description	Wiring Item #	Item Part #	Description	Wiring Item #
FAN ASSEMBLIES AND THERMOSTATS			LAMPS AND BALLASTS		
A. 0392457	Fan Motor, Evaporator (MO.4410101)	(1)	D. 0355716	Ballast 2 lamps Electronic 2-Lamp (BA.0355716)	(5)
0409511	Fan Blade (FB.0409511) embossing toward motor		0355398	Ballast 3 lamps Electronic 3-Lamp (BA.4480118)	(6)
0404551	Fan Motor, Ambient (MO.0404551)	(2)	E.	Fluorescent Lamp <i>Replace with like fixtures</i>	(7)
B. 0382028	Standard Non-Adjustable disc type Defrost Thermostat (CT.0382028)	(3)	HEATERS		
C. 0137880	Optional Adjustable Refrigeration Thermostat (CT.4481084)	(4)	F. 0494986	Nosing Anti-sweat Heater, 3 ft (HE.4850721)	(8)
			0496496	Nosing Anti-sweat Heater, 4 ft (HE.4850738)	

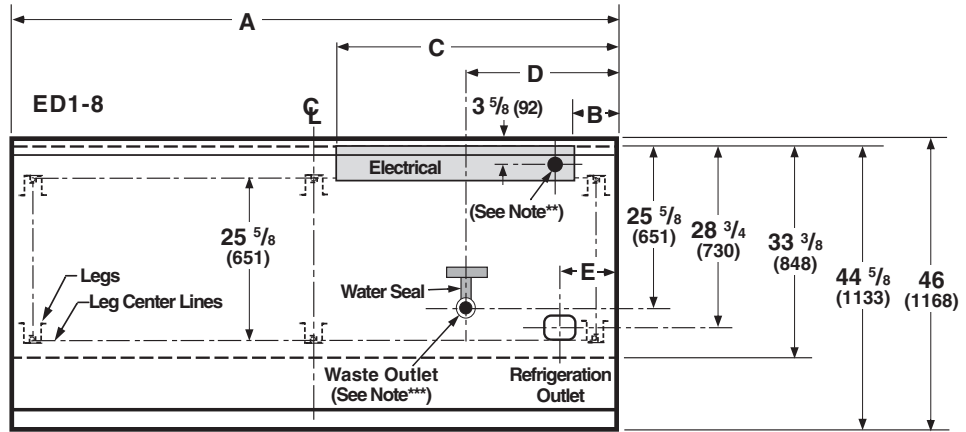
Note: Revision C updates Heater part numbers.

Engineering Plan Views





Dimensions shown as inches and (mm).

ED1 Delicatessen Curved Hinged Glass Models

07-2003



Front

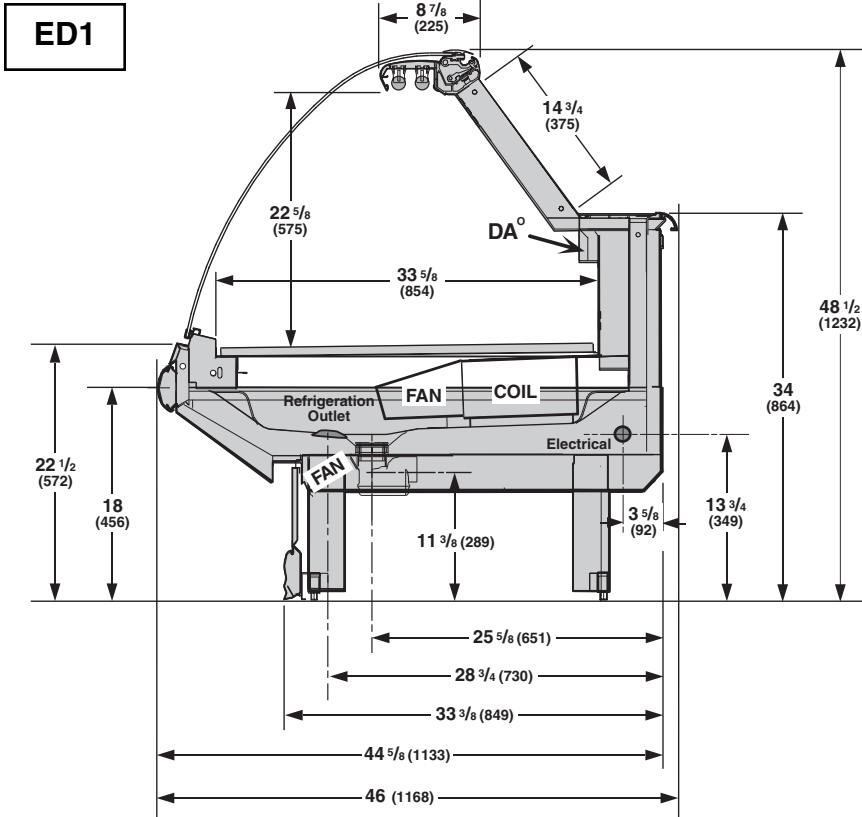
	6 ft	8 ft	12 ft
General			
(A) Length of Case* <i>*Each End and Partition adds 1 1/2 inches (38 mm.) to the length of the lineup.</i>	72 1/4 (1835)	96 1/4 (2444)	144 1/2 (3670)
Maximum outside dimensions of case back to front (includes bumper and Rear Sill)	46 (1168)	46 (1168)	46 (1168)
Back of case to front of splashguard	33 3/8 (848)	33 3/8 (848)	33 3/8 (848)
Center of rear legs to center of front legs	25 5/8 (651)	25 5/8 (651)	25 5/8 (651)
Electrical Service 			
(B) Righthand end of case to right edge of electrical raceway	7 (178)	7 (178)	7 (178)
(C) Righthand end of case to left edge of electrical raceway	44 1/2 (1131)	44 1/2 (1131)	44 1/2 (1131)
Back outside of case to center of knockout	3 5/8 (92)	3 5/8 (92)	3 5/8 (92)
**Note: <i>Electrical Field Wiring Connection Point</i>			
Waste Outlet 			
(D) Right end of case to center of waste outlet	24 (611)	24 (611)	72 1/4 (1835)
Left end of case to center of waste outlet	48 1/4 (1835)	72 1/4 (1835)	72 1/4 (1835)
Back outside of case to center of waste outlet	25 5/8 (652)	25 5/8 (652)	25 5/8 (652)
Water Seal 			
Edge of water seal to center of waste outlet	4 (102)	4 (102)	4 (102)
Outside diameter of drip pipe lines	1 1/2 (38)	1 1/2 (38)	1 1/2 (38)
**Note: <i>Field installed water seal outlets, tees, and connectors are shipped with the merchandiser.</i>			
Refrigeration Outlet 			
(E) Right end of case to center of refrigeration outlet	9 3/8 (238)	9 3/8 (238)	9 3/8 (238)
Back of case to center of refrigeration outlet	28 3/4 (730)	28 3/4 (730)	28 3/4 (730)
Outside diameter of the liquid line	3/8 (9.5)	3/8 (9.5)	3/8 (9.5)
Outside diameter of the suction line	5/8 (16)	5/8 (16)	5/8 (16)

Impact ED1
Delicatessen

REFRIGERATION DATA

Note: This data is based on store temperature and humidity that does not exceed 75°F and 55% R.H. Schedule defrost at night while lights are off.

Dimensions shown as inches and (mm).



ED1

	With Rear Doors	No Rear Doors
Discharge Air (°F)	27	24
Evaporator (°F)	18	14
Unit Sizing (°F)	16	12
Btu/hr/ft		
Parallel	300	365
Conventional	325	395

DEFROST DATA

Frequency (hr.)	12
Defrost Water (lb/ft/day)	0.20
<i>(± 15% based on case configuration and product loading).</i>	

OFFTIME

Temp Term (°F)	43°
Failsafe (Minutes)	90

ELECTRIC OR GAS Not Available

Standard Defrost Thermostat

Close on rise: close 43°F — open 33°F

CONVENTIONAL CONTROLS

Low Pressure Backup Control

ED1

CI/CO* 11°F / 1°F

Indoor Unit Only, Pressure Defrost

Termination* Not Recommended

*Use a Temperature Pressure Chart to determine PSIG conversions.

PHYSICAL DATA

	ED1
Merchandise Drip Pipe (in.)	1 1/2
Liquid Line (in.)	3/8
Suction Line (in.)	5/8

Estimated Charge (lb)**

6 ft	1.25
8 ft	1.5
12 ft	2.0

**This is an average for all refrigerant types. Actual refrigerant charge may vary by approximately half a pound.

Length Added to Lineup by:

Each Plastic End w/ Bumper (in.)	3 1/2
Each End	1 1/2

NSF Certification

These merchandisers are manufactured to meet ANSI /National Sanitation Foundation (NSF®) Standard #7 requirements.

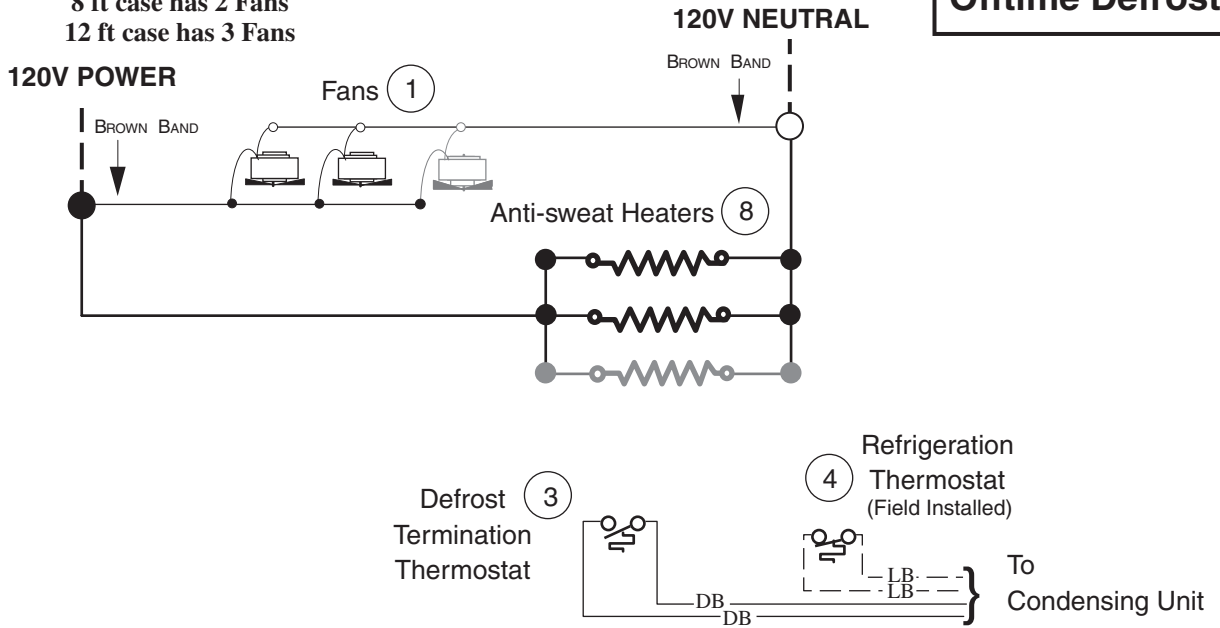
Electrical Data

Number of Fans	6 ft	8 ft	12 ft			
Refrigeration – 4W	2	2	3			
Ambient Air Wipe — 15W	4	2	6			
		Amperes			Watts	
Merchandiser	6 ft	8 ft	12 ft	6 ft	8 ft	12 ft
Fans (Refrigeration)						
120V 60Hz Standard	0.62	0.62	0.93	48	48	72
120V 60Hz Energy Efficient	NA	NA	NA	NA	NA	NA
230V 50Hz Export	NA	NA	NA	NA	NA	NA
Fans (Ambient Air Wipe)						
120V 60Hz Standard	1.04	1.04	1.56	60	60	90
120V 60Hz Energy Efficient	NA	NA	NA	NA	NA	NA
230V 50Hz Export	NA	NA	NA	NA	NA	NA
Constant on Anti-sweat Heaters	0.22	0.26	0.40	26	32	48
Minimum Circuit Ampacity						
120V 60Hz Standard Fans	2.08	2.12	3.09			
120V 60Hz Energy Efficient Fans	NA	NA	NA			
230V 50Hz Export Fans	NA	NA	NA			
Maximum Over Current Protection 120V	20	20	20			
Standard Lighting* (120V 60Hz)	6 ft	8 ft	12 ft	6 ft	8 ft	12 ft
2 Row Canopy	0.80	0.98	1.42	92	116	170
Optional Lighting						
Optional Interior Front Rail	0.40	0.49	0.71	46	58	85
Optional Ledge Lighting	0.40	0.49	0.71	46	58	85

*230V lighting values are under review.

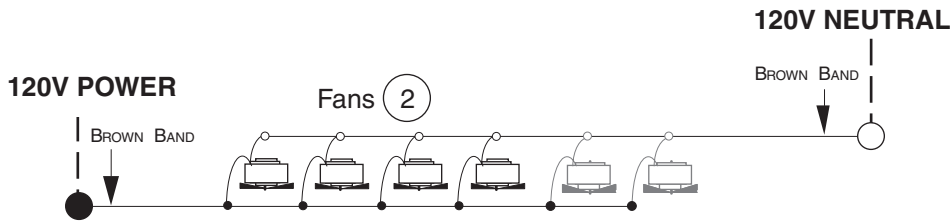
Fans
 6 ft case has 2 Fans
 8 ft case has 2 Fans
 12 ft case has 3 Fans

**Fan Wiring
 Offtime Defrost**



Fans

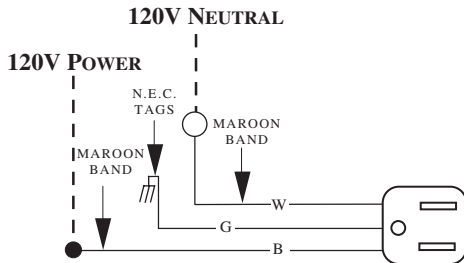
**Ambient Fan
 Wiring
 Glass Air Wipe**



6 ft case has 4 Fans
 8 ft case has 4 Fans
 12 ft case has 6 Fans

Electric Service Receptacle

Receptacles



WARNING

All components must have mechanical ground, and the merchandiser must be grounded.

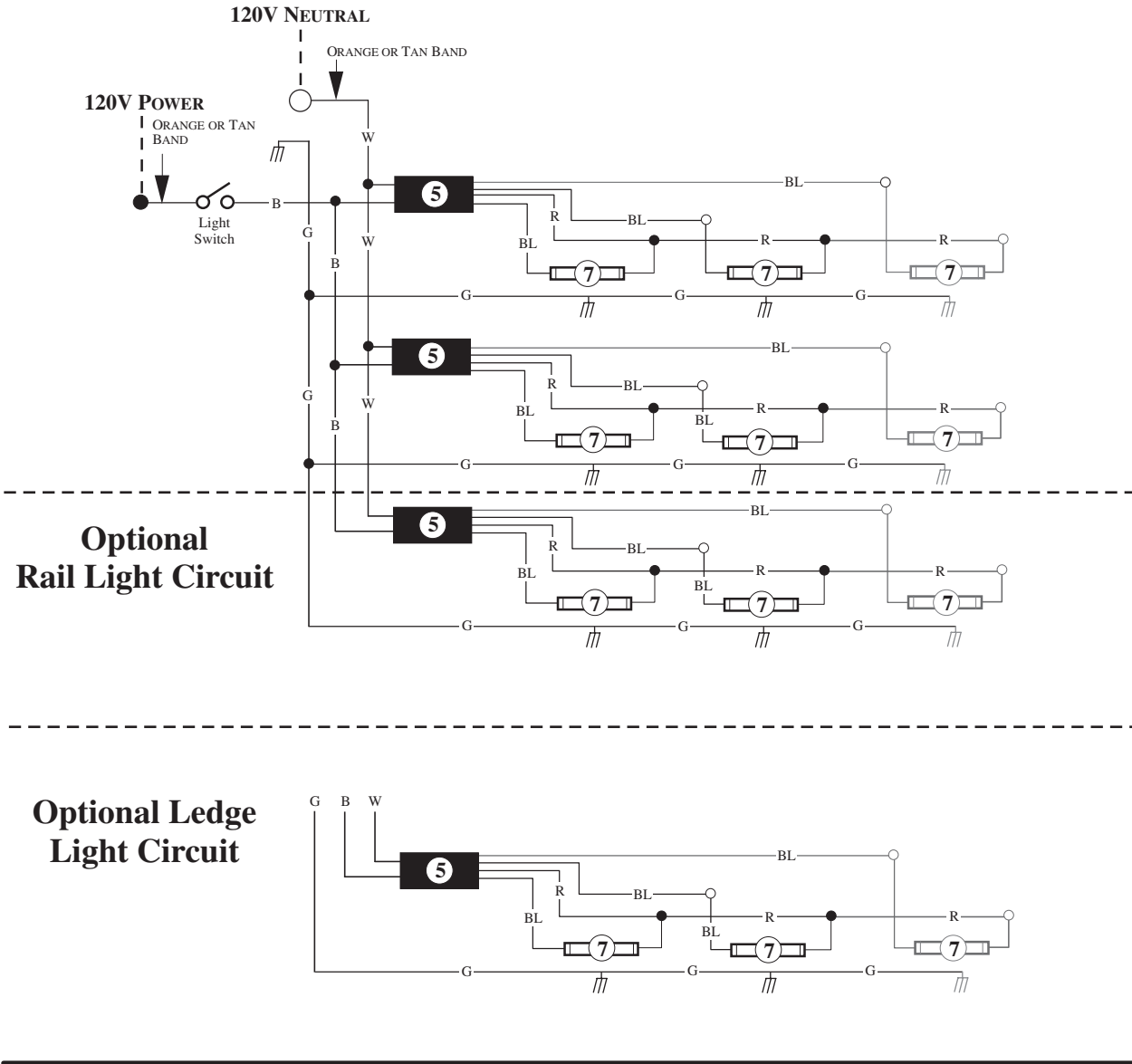
Circled Numbers = Parts List Item Numbers

Grayed components in 12 foot models only.

R = Red G = Green BL = Blue LB = Light Blue DB = Dark Blue B = Black W = White

Light Circuits

Standard Lighting 2 Row Canopy



WARNING

All components must have mechanical ground, and the merchandiser must be grounded.

Circled Numbers = Parts List Item Numbers

Grayed components in 12 foot models only.

R = Red G = Green BL = Blue B = Black W = White

● = 120V POWER ○ = 120V NEUTRAL ≡ = Field GROUND ≡ = Case GROUND