

We reserve the right to change or revise specifications and product design in connection with any feature of our products. Such changes do not entitle the buyer to corresponding changes, improvements, additions or replacements for equipment previously sold or shipped.

Item	Part #	Description	Wiring Item #	Item	Part #	Description	Wiring Item #
FAN ASSEMBLIES AND THERMOSTATS				LAMPS AND BALLASTS			
A.	4W Fan Assemblies		(1)	D.	0355716	Ballast, Electronic 2 lamps (BA.0355716)	(5)
	0392457	Fan Motor, Evaporator (MO.4410101)			0355398	Ballast, Electronic 3 lamps (BA.4480118)	(6)
	0409511	Fan Blade (FB.0409511) embossing toward motor		E.		Fluorescent Lamp Replace with like fixtures	(7)
	0404551	Fan Motor, Ambient (MO.0404551)	(2)				
B.	0382028	Standard Non-adjustable disc type Defrost Thermostat (CT.0382028)	(3)	HEATERS			
C.	0137880	Optional Adjustable Refrigeration Thermostat (CT.4481084)	(4)	F.	<u>0496496</u>	Nosing Anti-sweat Heater, 4 ft (HE.4850738)	(8)

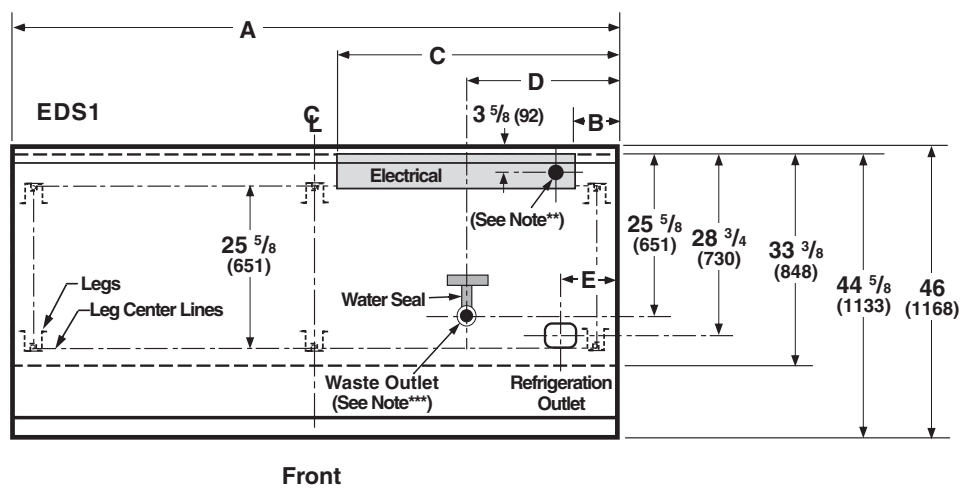
Note: Changed items have been underlined.

Engineering Plan Views





Self-Service Glass Front Delicatessen Models

06-2003

Dimensions shown as inches and (mm).



Front

General	4 ft	8 ft	12 ft
(A) Length of Case* <i>*Each End and Partition adds 1 1/2 inches (38 mm.) to the length of the lineup.</i>	72 1/4 (1835)	96 1/4 (2444)	144 1/2 (3670)
Maximum outside dimensions of case back to front (includes bumper and Rear Sill)	46 (1168)	46 (1168)	46 (1168)
Back of case to front of splashguard	33 3/8 (848)	33 3/8 (848)	33 3/8 (848)
Center of rear legs to center of front legs	25 5/8 (651)	25 5/8 (651)	25 5/8 (651)
Electrical Service 			
(B) Righthand end of case to right edge of electrical raceway	7 (178)	7 (178)	7 (178)
(C) Righthand end of case to left edge of electrical raceway	44 1/2 (1131)	44 1/2 (1131)	44 1/2 (1131)
Back outside of case to center of knockout <i>**Note: Electrical Field Wiring Connection Point</i>	3 5/8 (92)	3 5/8 (92)	3 5/8 (92)
Waste Outlet 			
(D) Right end of case to center of waste outlet	24 (611)	24 (611)	72 1/4 (1835)
Left end of case to center of waste outlet	48 1/4 (1835)	72 1/4 (1835)	72 1/4 (1835)
Back outside of case to center of waste outlet	25 5/8 (652)	25 5/8 (652)	25 5/8 (652)
Water Seal 			
Edge of water seal to center of waste outlet	4 (102)	4 (102)	4 (102)
Outside diameter of drip pipe lines <i>***Note: Field installed water seal outlets, tees, and connectors are shipped with the merchandiser.</i>	1 1/2 (38)	1 1/2 (38)	1 1/2 (38)
Refrigeration Outlet 			
(E) Right end of case to center of refrigeration outlet	9 3/8 (238)	9 3/8 (238)	9 3/8 (238)
Back of case to center of refrigeration outlet	28 3/4 (730)	28 3/4 (730)	28 3/4 (730)
Outside diameter of the liquid line	3/8 (9.5)	3/8 (9.5)	3/8 (9.5)
Outside diameter of the suction line	5/8 (16)	5/8 (16)	5/8 (16)

Impact EDS1
Delicatessen

REFRIGERATION DATA

Note: This data is based on store temperature and humidity that does not exceed 75°F and 55% R.H.

	EDS1
Discharge Air (°F)	24
Evaporator(°F)	14
Unit Sizing (°F)	12

Btu/hr/ft*	EDS1
Parallel	390
Conventional	420

DEFROST DATA

	EDS1
Frequency (hr)	12
Defrost Water (lb/ft/day)	0.20
<i>(± 15% based on case configuration and product loading.)</i>	

OFFTIME	EDS1
Temp Term (°F)	43°F
Failsafe minutes	90

ELECTRIC OR GAS Not Recommended

Standard Defrost Thermostat
Close on rise: close 43°F – open 33°F

CONVENTIONAL CONTROLS

Low Pressure Backup Control	EDS1
CI/CO*	<u>7°F/-3°F</u>

Indoor Unit Only, Pressure Defrost Termination* 43°F

*Use a Temperature Pressure Chart to determine PSIG conversions.

PHYSICAL DATA

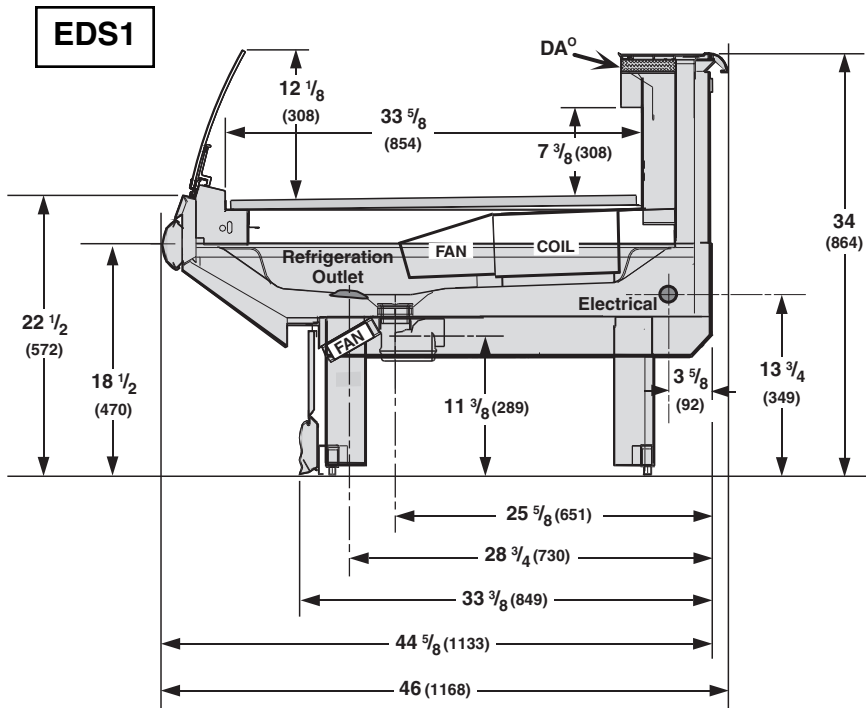
	EDS1
Merchandiser Drip Pipe (in.)	1 1/2
Liquid Line (in.)	3/8
Suction Line (in.)	5/8

Estimated Charge (lb)**	
4 ft	1.0
8 ft	1.5
12 ft	2.0

**This is an average for all refrigerant types. Actual refrigerant charge may vary by approximately half a pound.

Length Added to Lineup by:	
Each Plastic End w/ Bumper (in.)	3 1/2
Each End/Partition (in.)	1 1/2

Dimensions shown in inches & (mm).



NSF Certification

These merchandisers are manufactured to meet ANSI /National Sanitation Foundation (NSF®) Standard #7 requirements.

Impact EDS1 Delicatessen

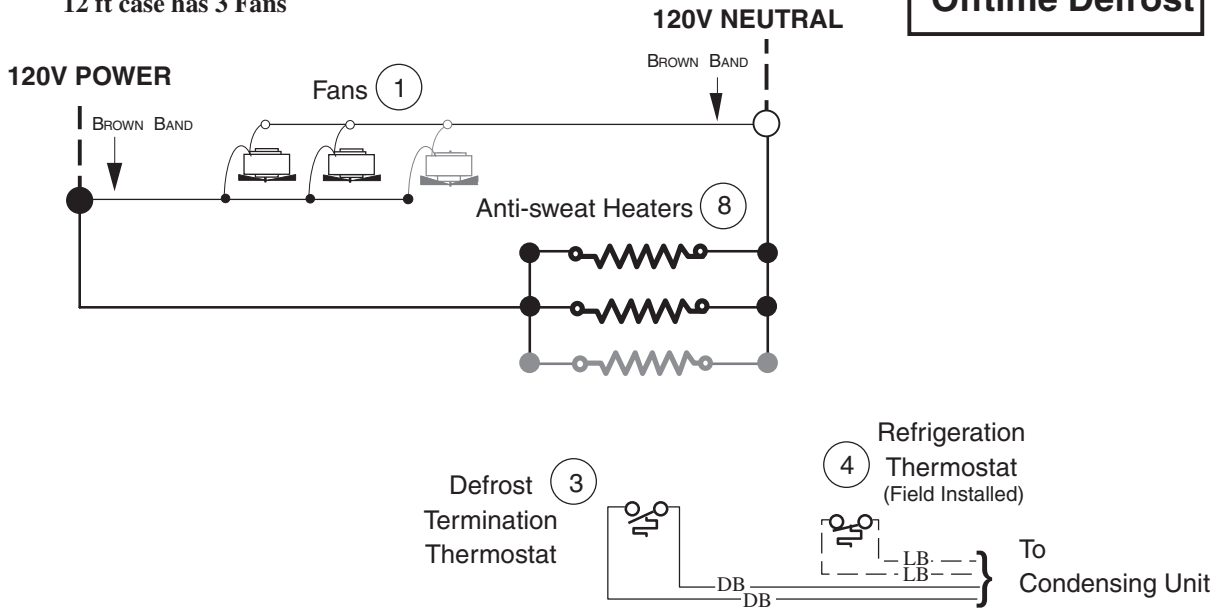
Electrical Data

Number of Fans	4 ft	8 ft	12 ft
Refrigeration – 4W	2	2	3
Ambient Air Wipe — 15W	4	4	6
Export — 9W	4	2	3

Merchandiser	Amperes			Watts		
	6 ft	8 ft	12 ft	6 ft	8 ft	12 ft
Fans (Refrigeration)						
120V 60Hz Standard	0.62	0.52	0.78	48	36	54
120V 60Hz Energy Efficient	NA	NA	NA	NA	NA	NA
230V 50Hz Export	NA	0.60	0.90	NA	96	144
Fans (Ambient Air Wipe)						
Two-pole Muffin Fan	1.04	0.76	1.14	60	60	180
120V 60Hz Energy Efficient	NA	NA	NA	NA	NA	NA
230V 50Hz Export	NA	0.36	0.54	NA	60	180
Constant on Anti-sweat Heaters	0.22	0.26	0.40	26	31	48
Cycling Anti-sweat Heaters	0.22	NA	NA	26	NA	NA
Minimum Circuit Ampacity						
120V 60Hz Standard Fans	2.08	1.61	2.39			
120V 60Hz Energy Efficient Fans	NA	NA	NA			
230V 50Hz Export Fans	NA	1.17	1.72			
Maximum Over Current Protection 120V	20	20	20			
230V 50Hz Export	15	15	15			
Optional Lighting*						
Optional Interior Front Rail	0.40	0.51	0.77	46	59	85
Optional Ledge Lighting	0.4	0.51	0.77	46	59	85

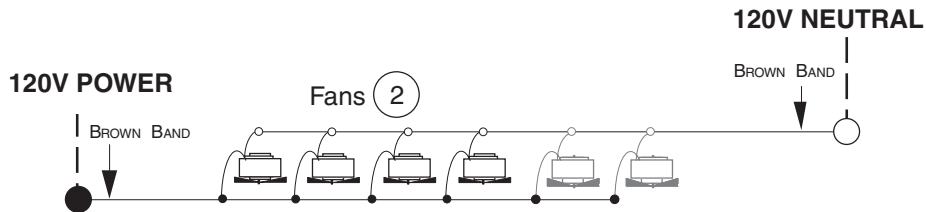
Fans 8 ft case has 2 Fans
12 ft case has 3 Fans

**Fan Wiring
Offtime Defrost**



Fans

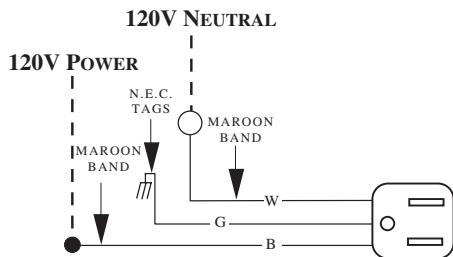
**Ambient Fan
Wiring
Glass Air Wipe**



8 ft case has 4 Fans
12 ft case has 6 Fans

Electric Service Receptacle

Receptacles

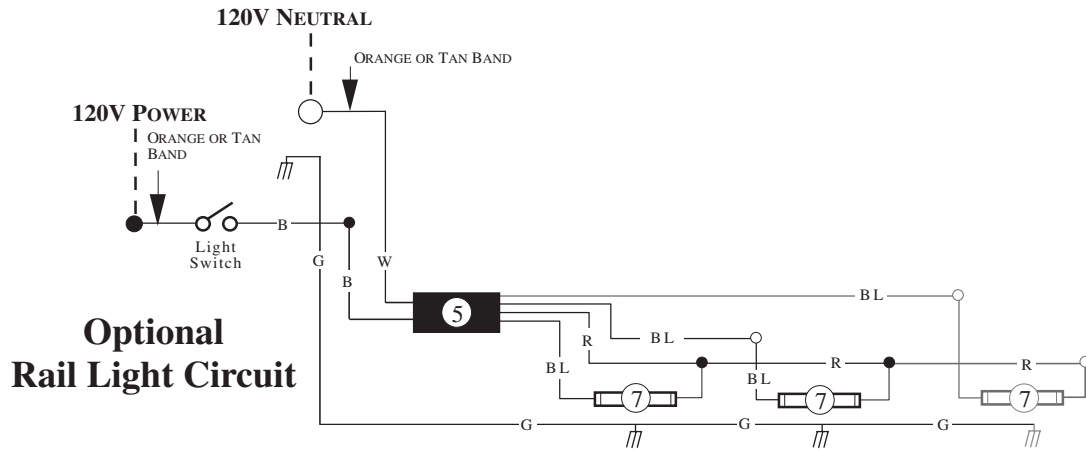


WARNING

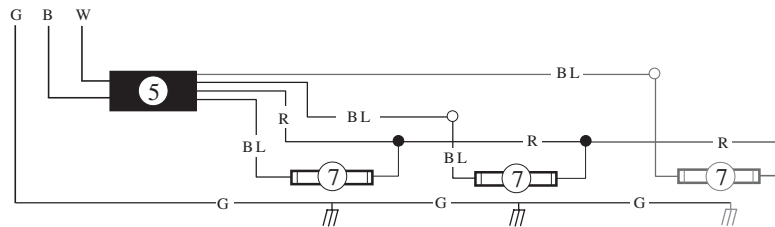
All components must have mechanical ground, and the merchandiser must be grounded.
Circled Numbers = Parts List Item Numbers
Grayed components in 12 foot models only.

R = Red G = Green BL = Blue LB = Light Blue DB = Dark Blue B = Black W = White
● = 120V POWER ○ = 120V NEUTRAL ≡ = Field GROUND ≡ = Case GROUND

Light Circuits



Optional Ledge Light Circuit



WARNING

All components must have mechanical ground, and the merchandiser must be grounded.

Circled Numbers = Parts List Item Numbers

Grayed components in 12 foot models only.

R = Red G = Green BL = Blue B = Black W = White

● = 120V POWER ○ = 120V NEUTRAL ⊥ = Field GROUND ≡ = Case GROUND