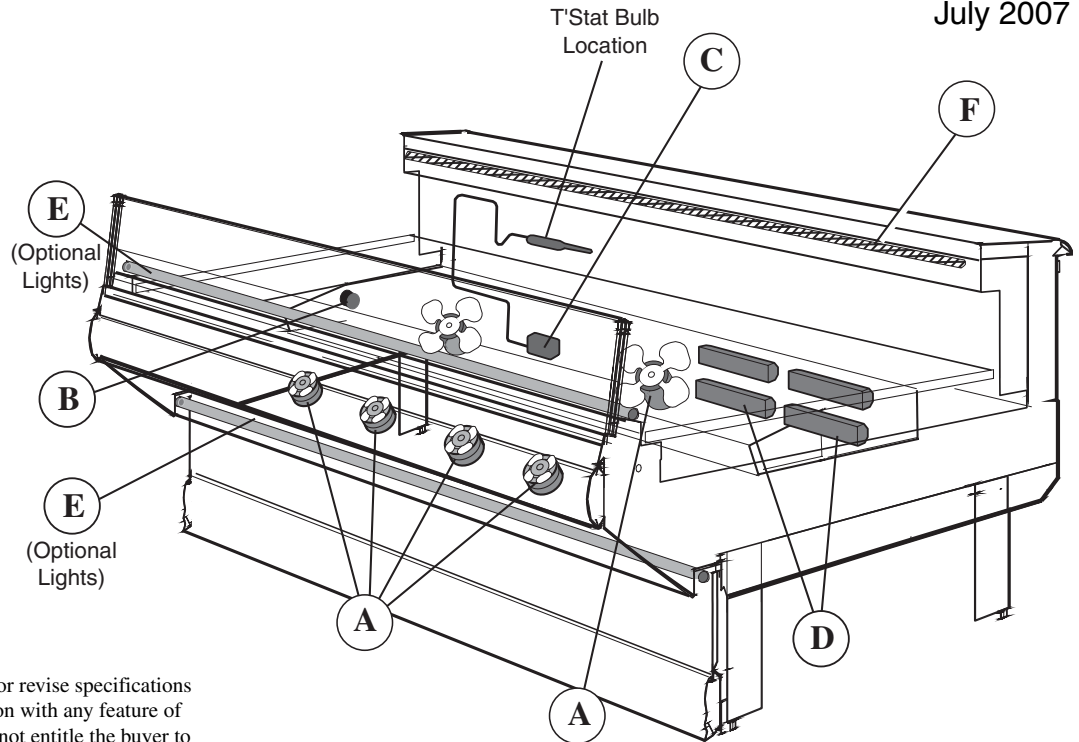


July 2007



We reserve the right to change or revise specifications and product design in connection with any feature of our products. Such changes do not entitle the buyer to corresponding changes, improvements, additions or replacements for equipment previously sold or shipped.

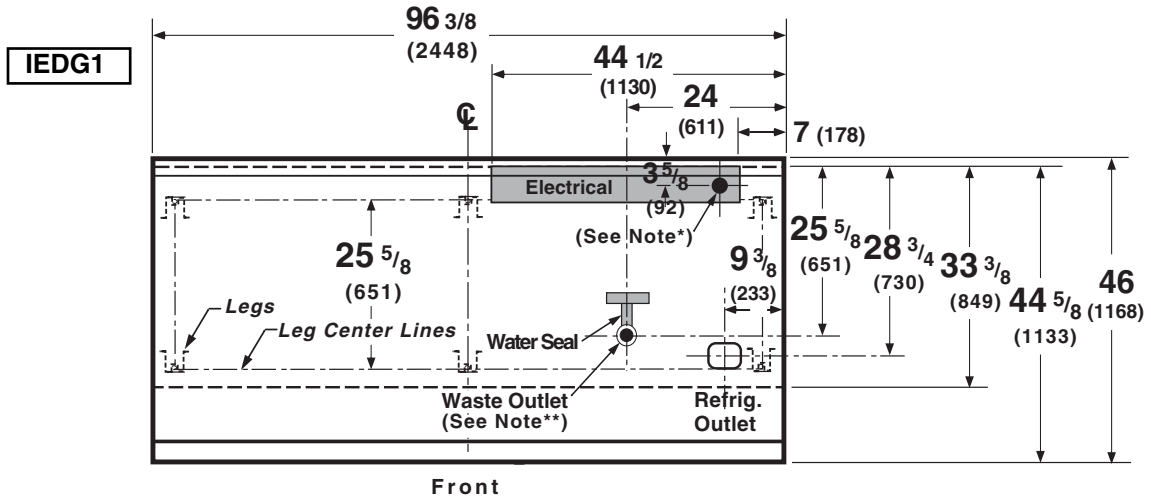
Item	Part #	Description	Wiring Item #	Item	Part #	Description	Wiring Item #
<b>FAN ASSEMBLIES, AND THERMOSTATS</b>				<b>LAMPS AND BALLASTS</b>			
A.	<b>Fan Assemblies</b>		(1)	D.	0355716	Ballast <b>2 lamps</b> Electronic 2-Lamp (BA.0355716)	(5)
	0392457	Fan Motor, Evaporator 115V, 4WSP, CW (MO.4410101)			0355398	Ballast <b>3 lamps</b> Electronic 3-Lamp (BA.4480118)	(6)
	0409511	Fan Blade (FB.0409511) embossing toward motor 6 ¾ Inch, 20°, CW		E.		Fluorescent Lamp Replace with like fixtures	(7)
	0404551	Fan Motor, Ambient 115V, 15W, CW (MO.0404551)	(2)	F.	<u>0496496</u>	Nosing Anti-sweat Heater, 4 ft (HE.4850738)	(8)
B.	0382028	Standard Non-adjustable disc type Defrost Thermostat (CT.0382028)	(3)				
C.	0137880	Optional Adjustable Refrigeration Thermostat (CT.4481084)	(4)				




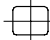
**Note:** Changed items have been underlined.

# Engineering Plan View

Delicatessen

Dimensions shown as inches and (mm).



	8 ft	12 ft
<b>General</b>		
<b>(A)</b> Case Length ( <i>without ends or partitions</i> )	96 <sup>3</sup> / <sub>8</sub> (2448)	144 <sup>1</sup> / <sub>2</sub> (3670)
Maximum O/S dimension of case back to front ( <i>includes bumper</i> )	46 (1168)	46 (1168)
Back of case to front of splashguard	33 <sup>3</sup> / <sub>8</sub> (848)	33 <sup>3</sup> / <sub>8</sub> (848)
Back of case to O/S edge of front bumper	44 <sup>5</sup> / <sub>8</sub> (1134)	44 <sup>5</sup> / <sub>8</sub> (1134)
Center of Rear Legs to Center of Front Legs	25 <sup>5</sup> / <sub>8</sub> (651)	25 <sup>5</sup> / <sub>8</sub> (651)
<b>Electrical Service</b>  ( <i>Electrical Field Wiring connection point</i> )		
<b>(B)</b> RH End of case to RH Edge of Electrical Box	7 (178)	7 (178)
Back O/S of case to center of knockout	3 <sup>5</sup> / <sub>8</sub> (92)	3 <sup>5</sup> / <sub>8</sub> (92)
Electrical access area (gray)		
<b>Waste Outlet</b> 		
<b>(C)</b> RH End of case to the center of waste outlet	24 (610)	72 <sup>1</sup> / <sub>4</sub> (1835)
Back O/S of case to center of waste outlet	25 <sup>5</sup> / <sub>8</sub> (651)	25 <sup>5</sup> / <sub>8</sub> (651)
<b>Water Seal</b> 		
Center of Tee to center of waste outlet	11 <sup>3</sup> / <sub>8</sub> (289)	11 <sup>3</sup> / <sub>8</sub> (289)
O/S diameter of the drip pipe lines	1 <sup>1</sup> / <sub>2</sub> (38)	1 <sup>1</sup> / <sub>2</sub> (38)
<i>NOTE: **Field installed water seal outlet, tees and connectors are shipped with case.</i>		
<b>Refrigeration Outlet</b> 		
Back of O/S of case to center of refrigeration outlet	9 <sup>3</sup> / <sub>8</sub> (238)	9 <sup>3</sup> / <sub>8</sub> (238)
<b>(D)</b> RH end of case to center of refrigeration outlet	28 <sup>3</sup> / <sub>4</sub> (730)	28 <sup>3</sup> / <sub>4</sub> (730)

**Impact IEDG1**  
**Delicatessen**

**REFRIGERATION DATA**

**Note:** This data is based on store temperature and humidity that does not exceed 75°F and 55% R.H.

	<b>IEDG1</b>
<b>Discharge Air (°F)</b>	24
<b>Evaporator (°F)</b>	14
<b>Unit Sizing (°F)</b>	12

*Btu/hr/ft*

<b>Parallel</b>	390
<b>Conventional</b>	420

**DEFROST DATA**

	<b>IEDG1</b>
<b>Frequency (hr)</b>	12
<b>Defrost Water (lb/ft/day)</b>	0.20

(± 15% based on case configuration and product loading).

<b>OFFTIME</b>	<b>IEDG1</b>
<b>Temp Term (°F)</b>	43
<b>Failsafe (minutes)</b>	90

*ELECTRIC OR GAS*  
Not Recommended

**CONVENTIONAL CONTROLS**

**Low Pressure Backup Control**

	<b>IEDG1</b>
<b>CI/CO*</b>	<u>7°F / -3°F</u>

**Cut Out Pressure = Cut In, less 10 PSIG.**  
**Indoor Unit Only, Pressure Defrost Termination (Temp °F)\***  
Not Recommended

**\*Use a Temperature Pressure Chart to determine PSIG conversions.**

**PHYSICAL DATA**

<b>Merchandiser</b>	<b>IEDG1</b>
<b>Drip Pipe (in.)</b>	1 1/2
<b>Liquid Line (in.)</b>	3/8
<b>Suction Line (in.)</b>	5/8

**Estimated Charge (lb)\*\***

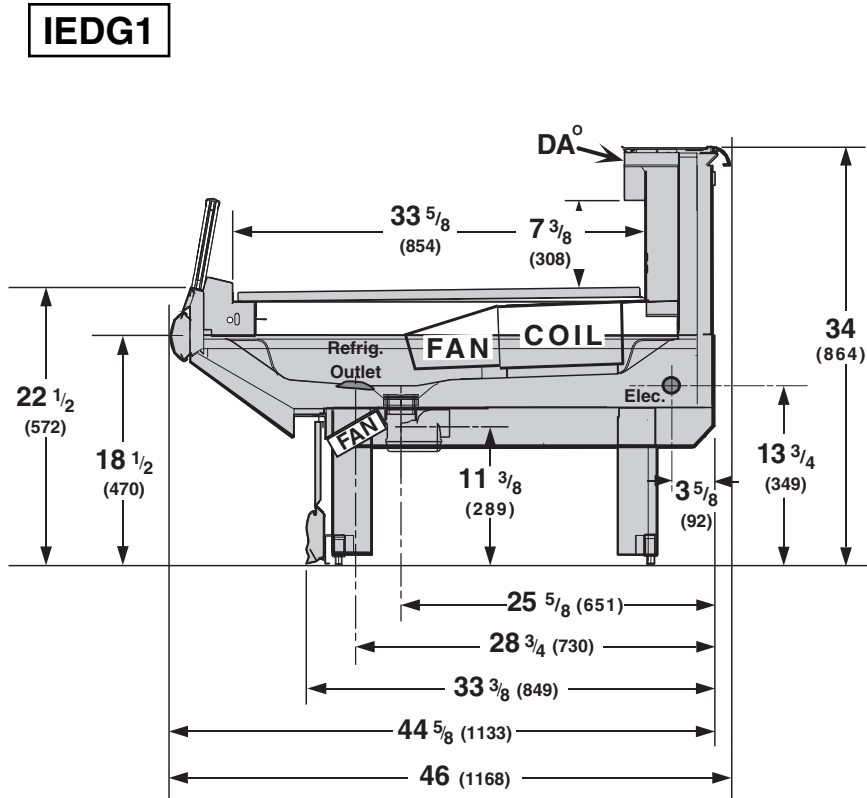
<b>8 ft</b>	1.5
<b>12 ft</b>	2.0

\*\*This is an average for all refrigerant types. Actual refrigerant charge may vary by approximately half a pound.

**Length Added to Lineup by:**

<b>Each Plastic End w/ Bumper (in.)</b>	3 1/2
<b>Each End/Partition (in.)</b>	1 1/2

Dimensions shown as inches & (mm).



**IEDG1**

<b>Impact IEDG1</b> <b>Delicatessen</b>
--

## Electrical Data

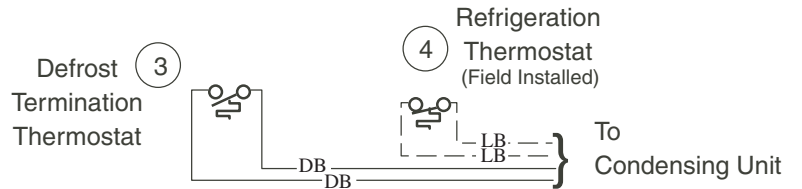
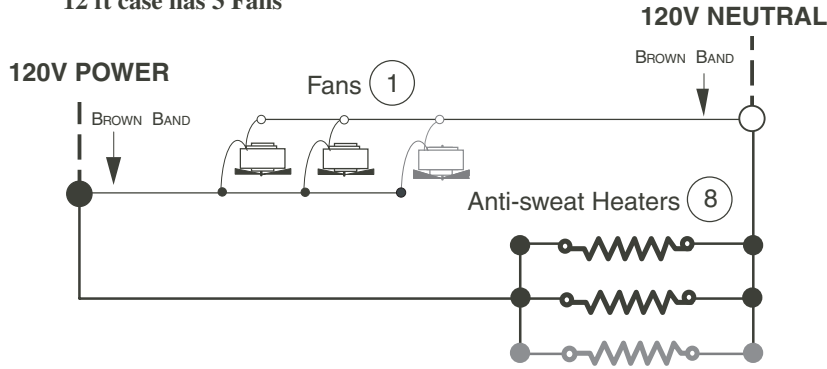
	8 ft	12 ft
<b>Number of Fans – 4W (Refrigeration)</b>	<b>2</b>	<b>3</b>
<b>Number of Fans – 15W (Ambient Air Wipe)</b>	<b>4</b>	<b>6</b>
<b>Number of Fans – 9W (Export)</b>	<b>2</b>	<b>3</b>

(Export: 230V 50 hz shown)

<b>Merchandiser</b>	<b>Amperes</b>		<b>Watts</b>	
	<b>8 ft</b>	<b>12 ft</b>	<b>8 ft</b>	<b>12 ft</b>
<b>Fans (Refrigeration)</b>				
Standard	0.52	0.78	36	54
Energy Efficient	NA	NA	NA	NA
Export: 230V 50hz	0.60	0.90	96	144
<b>Fans (Ambient Air Wipe)</b>				
Two-pole Muffin Fan	0.76	1.14	60	180
Energy Efficient	NA	NA	NA	NA
Export: 230V 50hz	0.36	0.54	60	180
<b>Anti-sweat Heaters (Constant on)</b>	0.26	0.40	31	48
<b>Cycling Anti-sweat Heaters</b>	NA	NA	NA	NA
Export: 230V 50hz	NA	NA	NA	NA
<b>Minimum Circuit Ampacity</b>				
With Standard Fans	1.61	2.39		
With Energy Efficient Fans	NA	NA		
Export: 230V 50hz	1.17	1.72		
<b>Max. Over Current Protection</b>	20	20		
Export: 230V 50hz	15	15		
<b>208V Electric Defrost</b>	NA	NA	NA	NA
Export: 230V 50hz Electric Defrost	NA	NA	NA	NA
<b>Optional Interior Front Rail</b>				
1 Row Rail	0.51	0.77	59	85
<b>Optional Ledge Lighting</b>				
1 Row	0.51	0.77	59	85

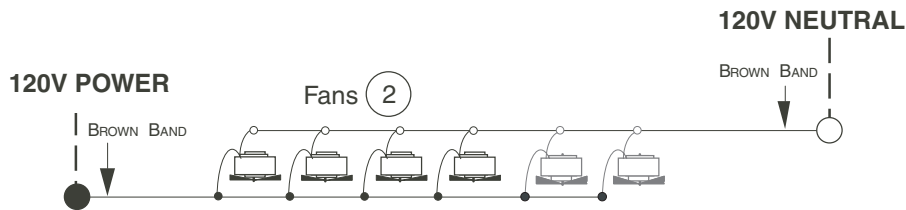
**Fans** 8 ft case has 2 Fans  
12 ft case has 3 Fans

**Fan Wiring  
Offtime Defrost**



**Fans**

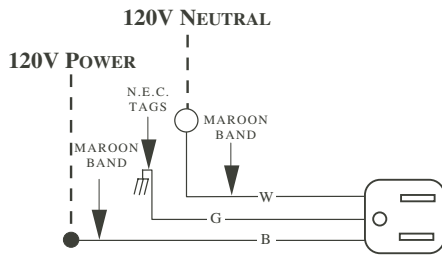
**Ambient Fan  
Wiring  
Glass Air Wipe**



8 ft case has 4 Fans  
12 ft case has 6 Fans

**Electric Service Receptacle**

**Receptacles**

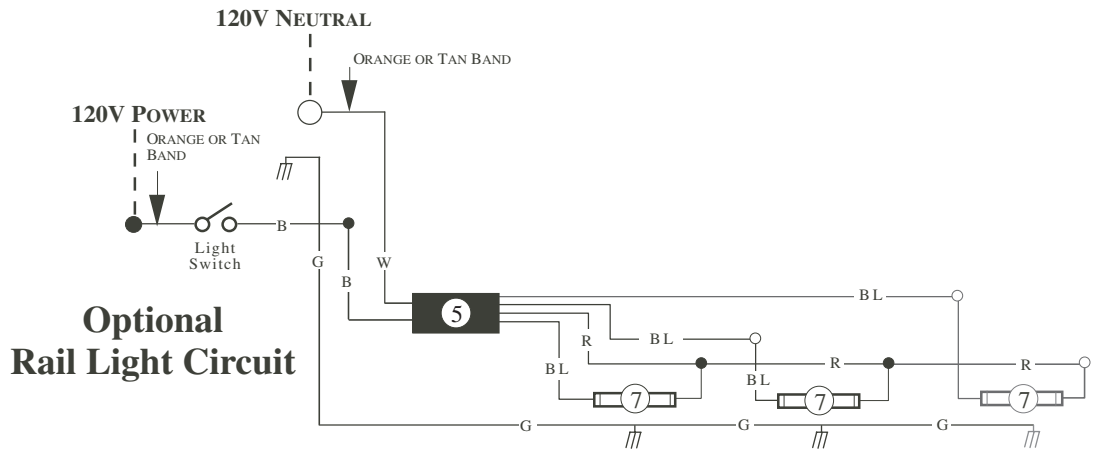


**WARNING**

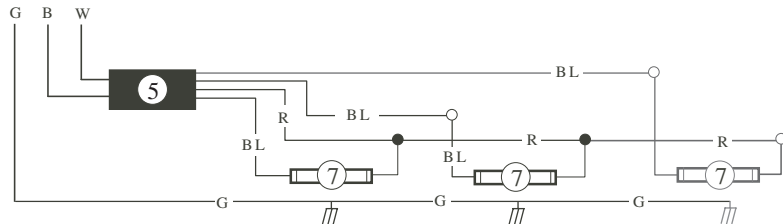
All components must have mechanical ground, and the merchandiser must be grounded.  
Circled Numbers = Parts List Item Numbers  
Grayed components in 12 foot models only.

- R = Red G = Green BL = Blue LB = Light Blue DB = Dark Blue B = Black W = White  
● = 120V POWER ○ = 120V NEUTRAL ≡ = Field GROUND ≡ = Case GROUND

# Light Circuits



## Optional Ledge Light Circuit



### WARNING

All components must have mechanical ground, and the merchandiser must be grounded.

Circled Numbers = Parts List Item Numbers

Grayed components in 12 foot models only.

R = Red G = Green BL = Blue B = Black W = White

● = 120V POWER ○ = 120V NEUTRAL ≡ = Field GROUND ≡ = Case GROUND