

We reserve the right to change or revise specifications and product design in connection with any feature of our products. Such changes do not entitle the buyer to corresponding changes, improvements, additions or replacements for equipment previously sold or shipped.

Item	Part #	Description	Wiring Item #	Item	Part #	Description	Wiring Item #
FAN ASSEMBLIES AND THERMOSTATS				LAMPS AND BALLASTS			
A.	0378349	Fan Motor, Discharge (MO.4410104)	(1)	D.	0428648	Ballast, 2 lamp Electronic (BA.4480823)	(4)
	0315470	Fan Blade (FB.0315470)		D.	0428649	Ballast, 3 lamp Electronic (BA.0428649)	(4)
B.	0047000	Fan Motor, Return (MO.4410103)	(2)	E.		Fluorescent Lamp <i>Replace with like fixtures</i>	(5)
	0315470	Fan Blade (FB.0315470)					
C.	0137880	Optional Adjustable Refrigeration Thermostat (CT.4481084)	(3)				

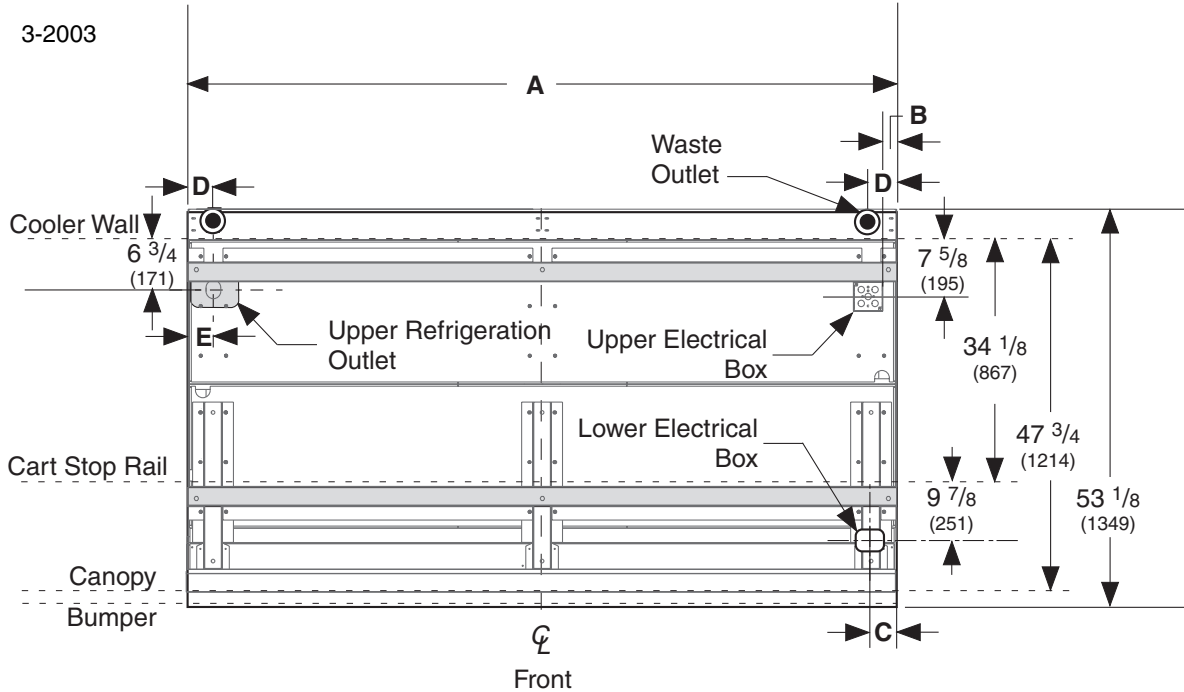
Rev. B added NSF certification & Aftermarket part numbers.

Engineering Plan Views

Dimensions shown as in. & (mm).

NOTE: When joining D5 models with D5RRI or D5RRIS models, the drain location for the D5 must be moved forward 2.325 inches (59 mm) to allow fronts to align.

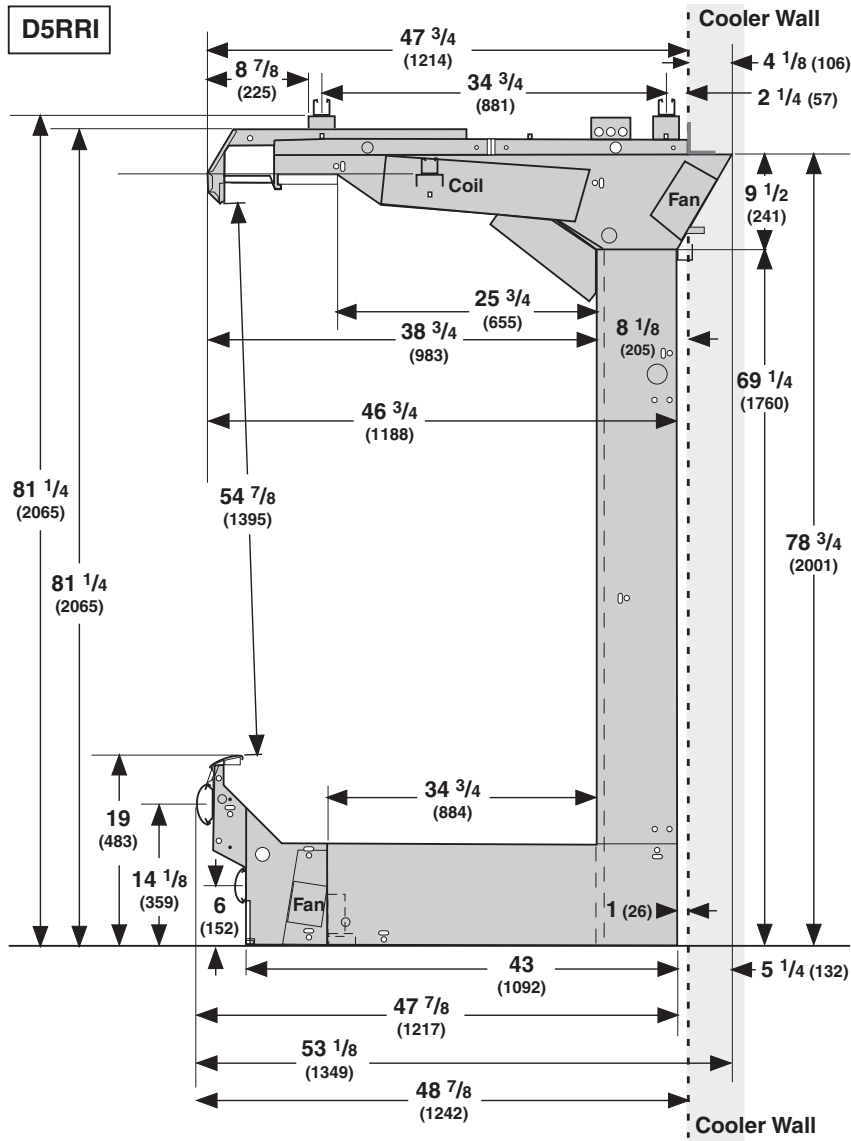
Roll-in Rear Load Dairy



	8 ft	12 ft
General		
(A) Case Length*	96 ³ / ₈ (2448)	144 ¹ / ₂ (3670)
Maximum O/S dimension of case back to front (Note: Includes bumper and wall)	53 ¹ / ₈ (1349)	53 ¹ / ₈ (1349)
Back of case to O/S edge of front bumper	48 ⁷ / ₈ (1241)	48 ⁷ / ₈ (1241)
Back of case to front of splashguard	44 (1118)	44 (1118)
* Each End and Insulated Partition adds 1 ¹ / ₂ in. (38 mm) to the length of the lineup.		
Electrical Service ** Electrical Field Wiring Connection Point		
Back of case (wall) to center of 4x4x2 Electrical box	7 ⁵ / ₈ (195)	7 ⁵ / ₈ (195)
(B) RH End of case to center of 4x4x2 Upper Electrical box	2 ¹ / ₂ (64)	2 ¹ / ₂ (64)
(C) RH End of case to center of Lower Electrical box	3 ¹ / ₈ (79)	3 ¹ / ₈ (79)
Waste Outlet		
(D) End of case to the center of waste outlet	1 ¹ / ₄ (32)	1 ¹ / ₄ (32)
Outside diameter of the drip pipe	⁷ / ₈ (22)	⁷ / ₈ (22)
Refrigeration Outlet		
Back of case (wall) to center of refrigeration outlet	6 ³ / ₄ (171)	6 ³ / ₄ (171)
(E) LH end of case to center of refrigeration outlet	3 ¹ / ₂ (89)	3 ¹ / ₂ (89)
Outside diameter of the liquid line	³ / ₈ (10)	³ / ₈ (10)
Outside diameter of the suction line	⁷ / ₈ (22)	⁷ / ₈ (22)

Impact D5RRI
Dairy

Dimensions shown as in. & (mm).



NSF Certification

These merchandisers are manufactured to meet ANSI /National Sanitation Foundation (NSF®) Standard #7 requirements.

REFRIGERATION DATA

Note: This data is based on store temperature and humidity that does not exceed 75°F and 55% R.H.

	D5RRI
Discharge Air (°F)	32
Evaporator (°F)	21
Unit Sizing (°F)	19

Important Note: Btu numbers are for the D5RRI when installed to a cooler operating at a 36°F air temperature. The unit cooler coil must be sized for an **additional load of 800 Btu/hr/ft** of D5RRI case installed to the cooler.

<i>Btu/hr/ft</i>	D5RRI
	Roll-in Dairy Carts
Parallel	1035
Conventional	1200

DEFROST DATA

	D5RRI
Frequency (hr)	6
Defrost Water (lb/ft/day)	6
<i>(± 15% based on case configuration and product loading).</i>	

OFFTIME **D5RRI**
Time Terminated (minutes) 50
ELECTRIC OR GAS Not Recommended
Standard Defrost Thermostat — NA

CONVENTIONAL CONTROLS

Low Pressure Backup Control

	D5RRI
CI/CO (Temp °F)*	14/4
Indoor Unit Only, Pressure Defrost Termination (Temp °F)*	NA

*Use a Temperature Pressure Chart to determine PSIG conversions.

PHYSICAL DATA

Merchandiser Drip Pipe (in.) 7/8
 Merchandiser Liquid Line (in.) 3/8
 Merchandiser Suction Line (in.) 7/8

Estimated Charge (lb)**

8 ft 2.7
12 ft 3.9

**This is an average for all refrigerant types. Actual refrigerant charge may vary by approximately half a pound.

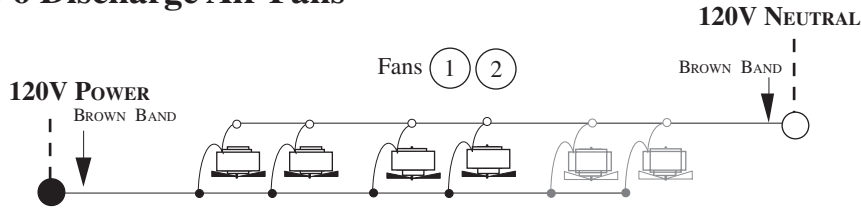
Length (in.) added to Lineup by Each End or Insulated Partition 1 1/2

Electrical Data

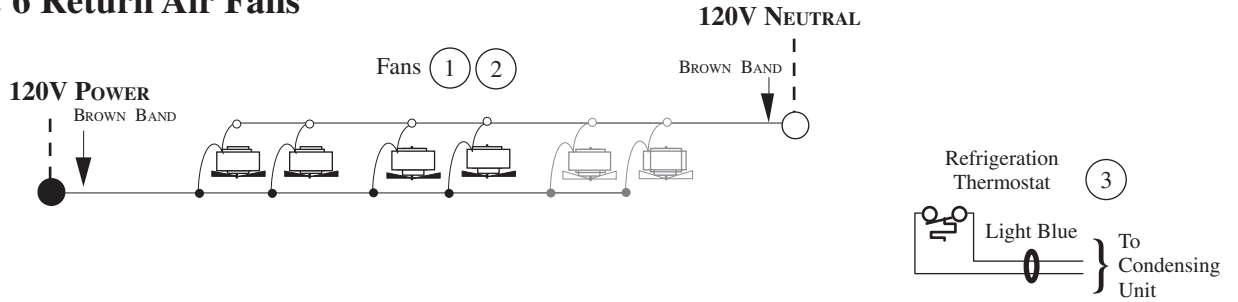
	8 ft	12 ft		
Number of Fans				
Discharge – 9W	4	6		
Return – 9W	4	6		
			Amperes	Watts
Merchandiser	8 ft	12 ft	8 ft	12 ft
Fans (Discharge)				
Standard	3.08	4.62	248	372
Energy Efficient	1.52	2.28	100	150
Fans (Return)				
Standard	2.20	3.30	200	300
Energy Efficient	1.52	2.28	100	150
Constant On Anti-sweat Heaters	NA	NA	NA	NA
Cycling Anti-sweat Heaters	NA	NA	NA	NA
Minimum Circuit Ampacity				
With Standard Fans (60 Hz)	5.5	8.2		
With Energy Efficient Fans	3.3	4.8		
Maximum Over Circuit Protection 120V	20	20		
208V 1Φ Electric Defrost	NA	NA		
Standard Lighting	8 ft	12 ft	8 ft	12 ft
1 Row Canopy	0.51	0.77	59	85
Optional Lighting				
1 Row Canopy and 1 Row Rail	1.02	1.54	118	170
2 Rows Canopy	1.02	1.54	118	170
2 Row Canopy and 1 Row Rail	1.53	2.31	177	255
Shelf Lighting				
2 Rows	1.02	1.54	118	170

Fan Wiring Offtime Defrost

4 & 6 Discharge Air Fans

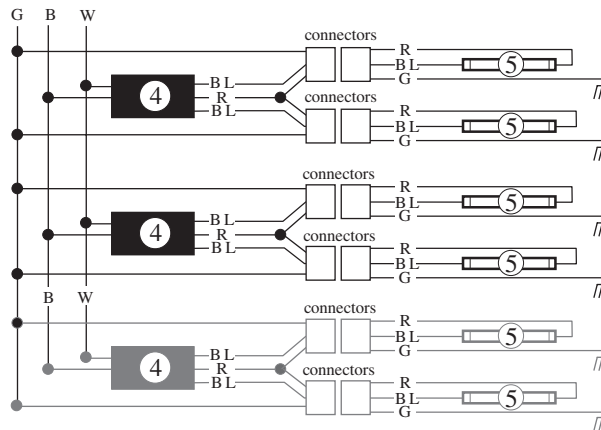


4 & 6 Return Air Fans



Optional Shelf Harness and Light Circuits

Shelf Lighting



WARNING

All components must have mechanical ground, and the merchandiser must be grounded.

Circled Numbers = Parts List Item Numbers

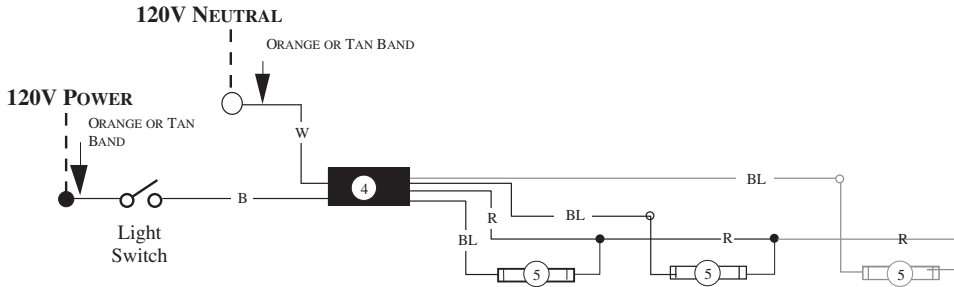
Grayed components in 12 foot models only.

R = Red G = Green BL = Blue B = Black W = White

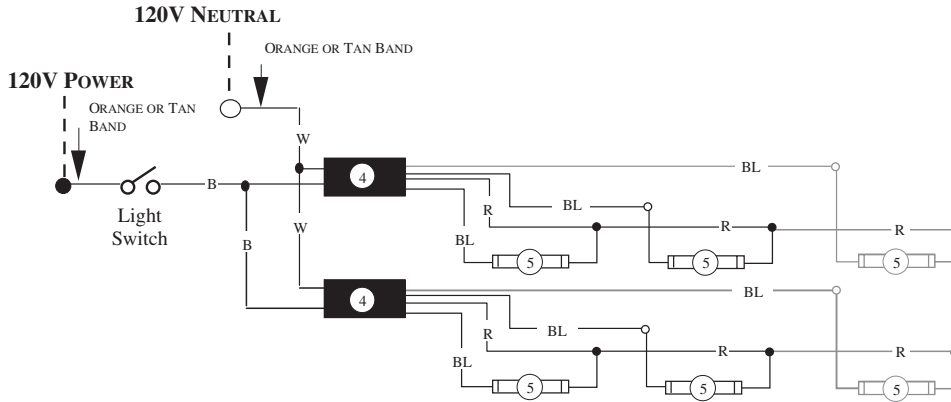
● = 120V POWER ○ = 120V NEUTRAL ≡ = Field GROUND ≡ ≡ = Case GROUND

Light Circuits

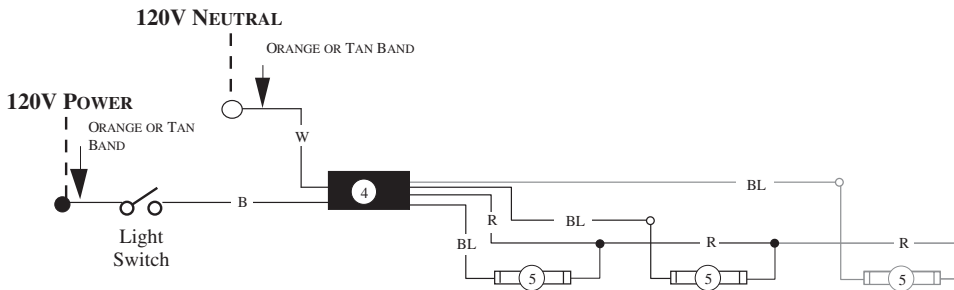
Standard Lighting: 1 Row Canopy



Optional Lighting: 2 Rows Canopy



Optional Lighting: 1 Row Rail



WARNING

All components must have mechanical ground, and the merchandiser must be grounded.

CIRCLED NUMBERS = PARTS LIST ITEM NUMBERS

Grayed components in 12 foot models only.

R = Red Y = Yellow G = Green BL = Blue B = Black W = White

● = 120V POWER ○ = 120V NEUTRAL